



**INSTRUCTIONS PERTAINING TO RISK OF FIRE OR INJURY TO PERSONS. READ ALL INSTRUCTIONS. IMPORTANT SAFETY INSTRUCTIONS. SAVE THESE INSTRUCTIONS.**

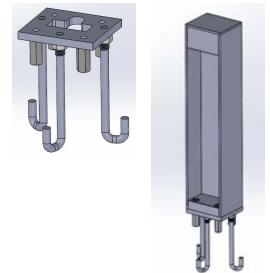
**DANGER - RISK OF SHOCK - DISCONNECT POWER BEFORE INSTALLATION! Please read all instructions before installation.**

- Keep these instructions for future reference.
- Must be installed by a qualified electrician in accordance with national and local standards. Designplan is not responsible for fixtures installed without regard to these standards.
- Unauthorized alterations or tampering of product voids warranty.
- The main power connection must be in accordance with local electrical codes.
- Suitable for OUTDOOR applications.



**IP65**

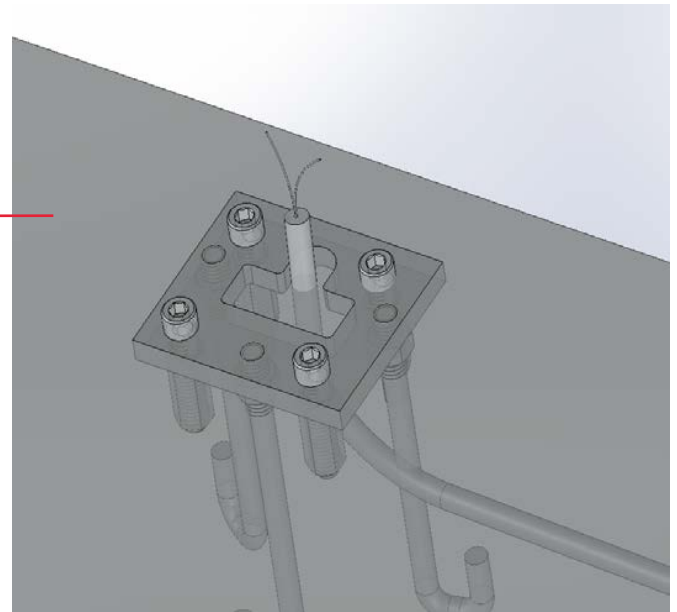
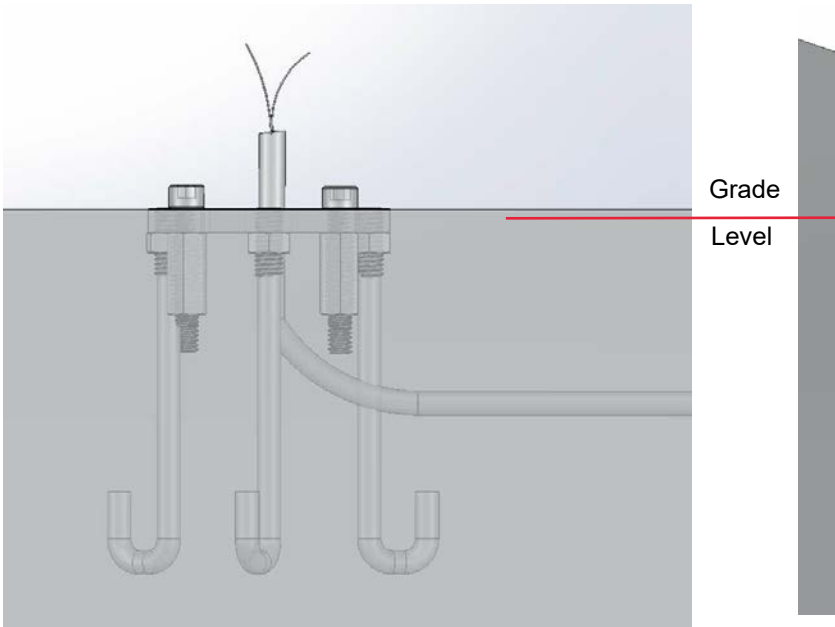
**ATTENTION: For In-Grade** - It is the contractor's responsibility to seal the conduit with "Great Stuff" aerosol seal that prevents water and moisture penetration for ultimate protection. Contractor **MUST** use gel-filled wire nuts.



## Maintenance

Scheduled maintenance must be carried out once a year on all lighting devices, regardless of appliance class and type of use. It must include the following operations:

- Periodically clean fixtures to remove dirt from gratings and screw heads.
- Check tightness of screws on various parts of the device.
- Check that all cable glands and cables are intact and tight. Check that the glass or plastic lens is intact, and replace it if broken or damaged.
- The internal components such as the ballast, driver, washers and screws must not show clear signs of oxidation or rust. Clear traces of rust and oxidation will indicate the presence of water inside the device.
- In the case of damage, the components must be replaced by original components or spare parts.



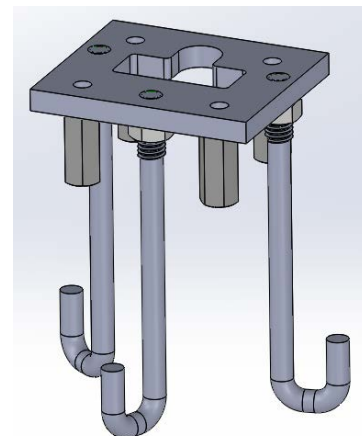
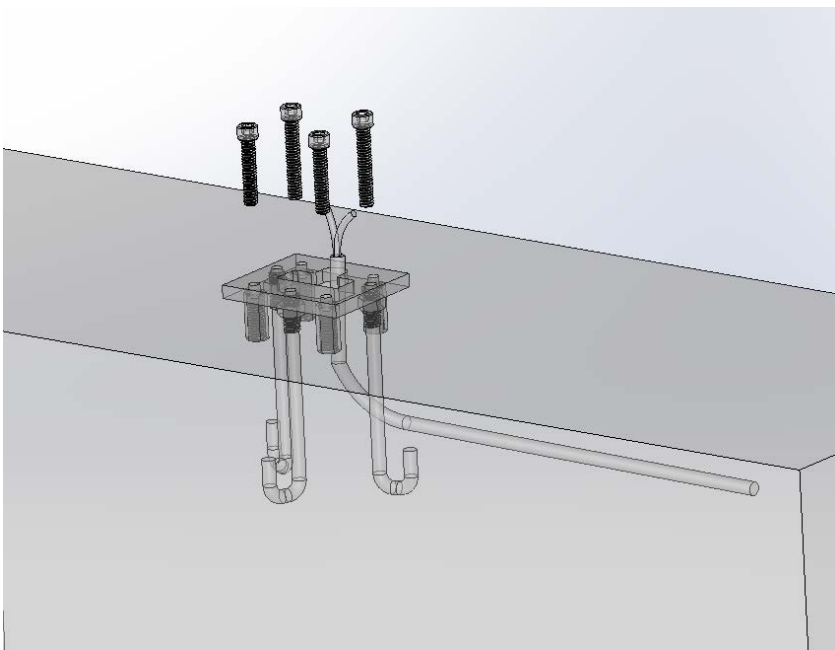
Mounting Base Assembly  
installed in Concrete

← Concrete (Shown for Reference)

- 1/4-20 bolts and hex couplings are to be installed in the concrete as shown.
- Ensure that the Klak base plate is leveled and flush with concrete surface.

- It is contractor's responsibility to make proper arrangement for power supply wires.

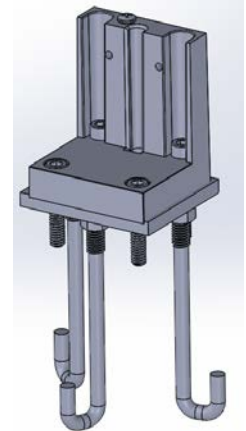
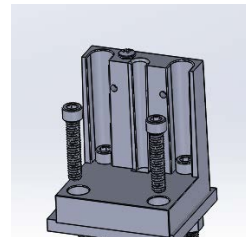
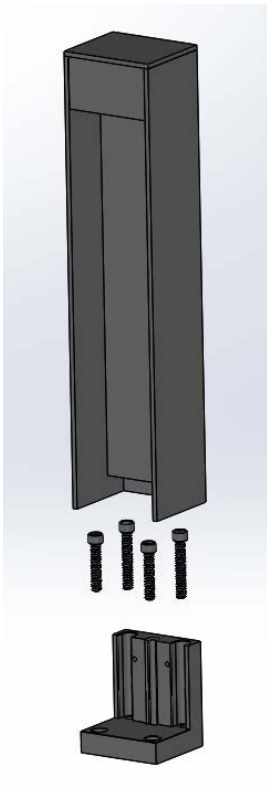
- Once concrete is cured, remove the (2) 1/4-20 x 1.25" screws and the (2) 1/4-20 x 1/5" screws.



# KLAK WITH MOUNTING BASE ASSEMBLY

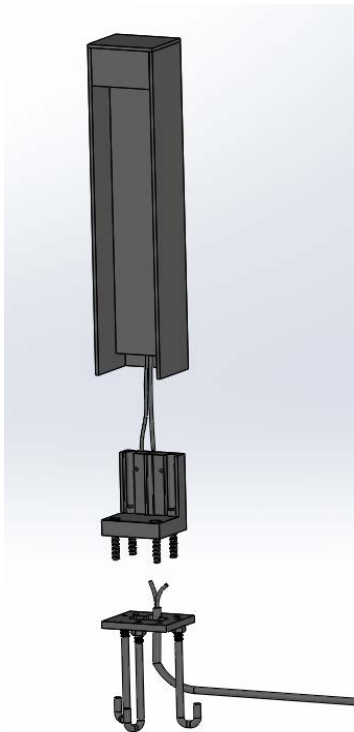
## Klak Fixture and Mounting Base Assembly Installation

installation instructions

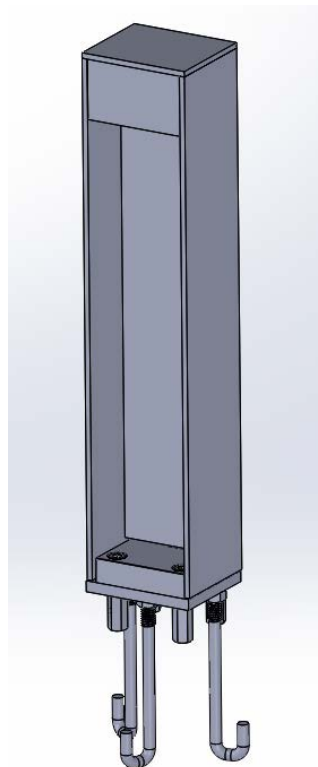


Klak base assembled onto mounting base assembly (Concrete not shown)

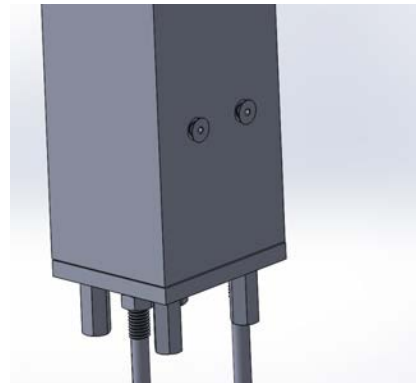
- Assemble together components as shown, starting with the Klak base.
- Make proper wiring connections and slide through the middle hole in the back of the base and through the mounting base assembly as shown.
- Screw in (2) 1/4-20 x 1.5" screws through the back of the Klak base as well as through the Klak mounting base assembly as shown.
- Once back screws are screwed in, screw in (2) 1/4-20 x 1.25" screws through the front of the Klak base as well as through the Klak mounting base assembly as shown.



Klak Fixture + Klak Base + Klak Mounting Base Assembly (Concrete not shown)



Klak Fixture + Mounting Base Assembly (Concrete not shown)



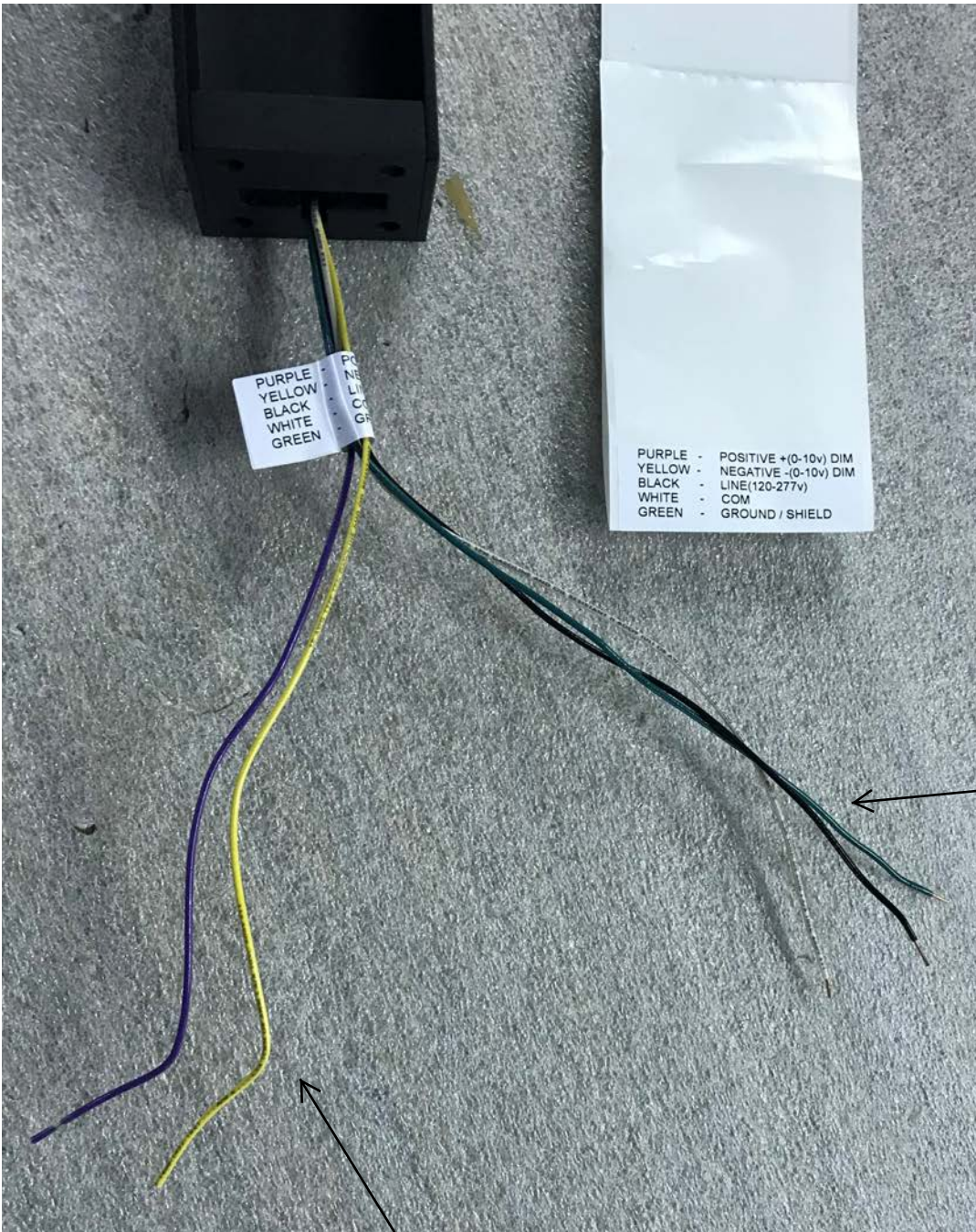
- Once all of the wiring connections are made and the Klak base is assembled onto the mounting base assembly, slide the Klak body through the Klak base assembly as shown.
- Screw in the (2) 8-32 x 1/2" flat head screws in the back to secure the fixture body to the base.



# KLAK WITH MOUNTING BASE ASSEMBLY

## Klak Fixture 0-10 V Dimming

installation instructions



To Power  
Black- Line (120V)  
White - Neutral  
Green- Ground

0-10V Dimming Leads  
Purple (+)  
Yellow (-)