

KUBOID 160

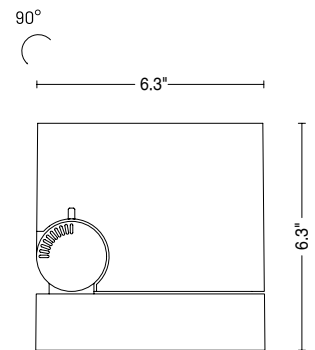
KUBOID is an adjustable, hexahedron cube luminaire that comes in 3 sizes and is suitable for outdoor installation on ceilings, walls, floors or in ground using steel stakes. KUBOID 160 is the large version at 6.3" cubed and offers 4 light beam options and 4 standard finishes.



TECHNICAL DATA

| | |
|----------------------------|--|
| LED Wattage / Total | 24W LED, 27W total |
| Power Supply | Remote 24VDC, not included. See page 2. |
| Construction | Body: Die-Cast Aluminum Lens: Opal Glass (diffuse version) Silk-screened printed glass (optics versions) |
| CCT | 3000K (other colors on request) |
| BUG Rating | B1-U1-G1 (diffuse) B2-U1-G1 (30°, 45°) B3-U1-G0 (14°) |
| CRI | >90 |
| Delivered Lumens | 2333 lm (30°) |
| Efficacy | 87 lm/W (30°) |
| Optics | Diffuse, Spot, Medium, Flood (see below) Adjustable ±120° - horizontal axis Adjustable 90° on the vertical one |
| Finishes | 5 Standard, See Below |
| Fixture Dimensions | 6.3" x 6.3" |
| Lumen Maintenance | L70 >50,000hrs (Ta 40°C) |
| Color Consistency | 3-Step MacAdam |
| IP Rating | IP67 |
| Impact Resistance | IK08 |

Fixture Dimensions



ORDERING INFORMATION

Example: LNKB80PROMHBBZV.US. Accessories / Power Supplies ordered separately.

| Model No. | Optics | CCT | Finish | US |
|-----------|---|-----------|---|----|
| LNKB80PRO | S - 14° Spot M - 30° Medium F - 45° Flood | H - 3000K | L - Graphite V - Oxide G - Black U - White H - Gray | US |
| LNKB81PRO | D - Diffuse | | | |

Job Name/Date:

Fixture Type Designation:

SUGGESTED POWER SUPPLIES

24VDC

| Part Number | Description | Input/Output | # of Fixtures |
|---------------------------|---|------------------------------------|---------------|
| PPLT00155 | Non-Dim | 120VAC to 24VDC, 30W, Class 2 | 1-1 |
| PPLT00157 | Non-Dim | 120VAC to 24VDC, 60W, Class 2 | 1-2 |
| PPLT00158 | Non-Dim | 120VAC to 24VDC, 100W, Class 2 | 1-3 |
| PPLT00543 | 0-10V Dimming to 15% (-40°C / -40°F cold weather start) | 120-277VAC to 24VDC, 100W, Class 2 | 1-3 |

For other power supply options consult factory.

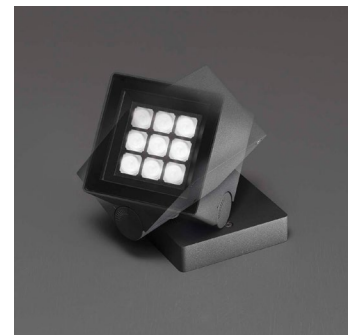
ACCESSORIES - Installation



00AKB60-80

Steel fixing spike kit

ROTATION



Horizontal



Vertical

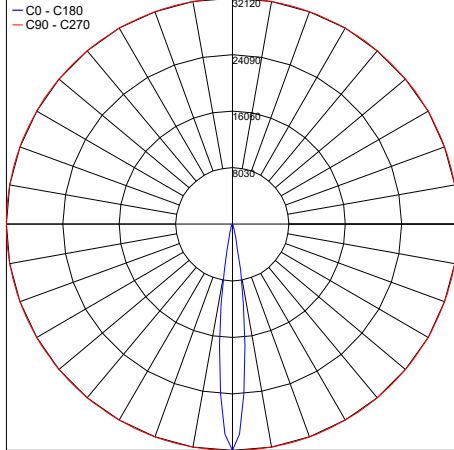
Job Name/Date:

Fixture Type Designation:

PHOTOMETRIC DATA

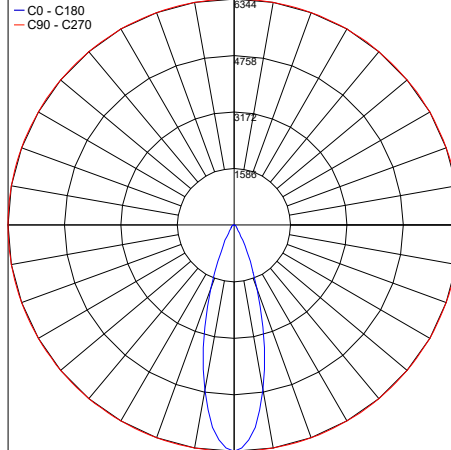
Note: All photometric data is 3000K

Maximum Candela = 32120



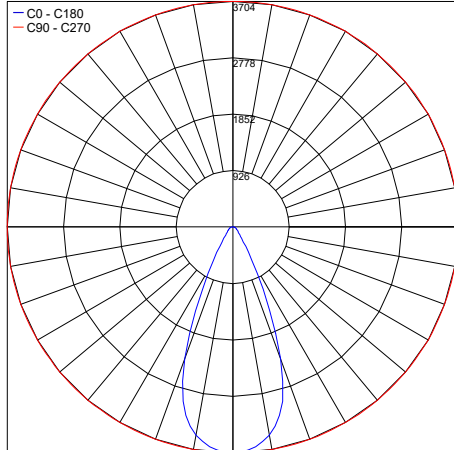
PHOTOMETRIC FILENAME : KUBOID 160 SPOT 30K - KB80PROSHB10X.IES

Maximum Candela = 6344.5



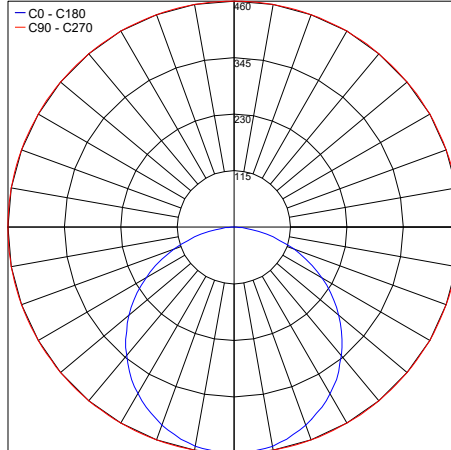
PHOTOMETRIC FILENAME : KUBOID 160 MEDIUM 30K - KB80PROMHB10X.IES

Maximum Candela = 3703.6



PHOTOMETRIC FILENAME : KUBOID 160 FLOOD 30K - KB80PROFHB10X.IES

Maximum Candela = 460.2



PHOTOMETRIC FILENAME : KUBOID 160 DIFFUSE 30K - KB81PRODXB1.IES

Job Name/Date:

Fixture Type Designation: