

KUBOID 160

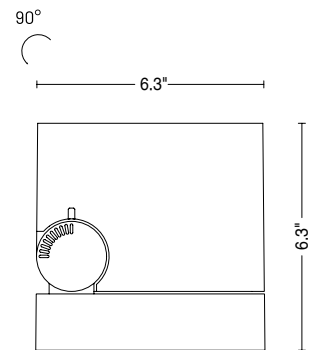
KUBOID is an adjustable, hexahedron cube luminaire that comes in 3 sizes and is suitable for outdoor installation on ceilings, walls, floors or in ground using steel stakes. KUBOID 160 is the large version at 6.3" cubed and offers 4 light beam options and 4 standard finishes.



TECHNICAL DATA

Wattage	27W
Power Supply	Remote 24VDC, not included. See page 2.
Construction	Body: Die-Cast Aluminum Lens: Opal Glass (diffuse version) Silk-screened Printed Glass (optics versions)
CCT	2700K, 3000K
BUG Rating	B1-U1-G1 (diffuse) B2-U1-G1 (30°, 45°) B3-U1-G0 (14°)
CRI	>90
Delivered Lumens	2333 lm (30°, 3000K)
Efficacy	87 lm/W
Optics	Diffuse, Spot, Medium, Flood (see below) Adjustable ±120° - horizontal axis Adjustable 90° on the vertical one
Finishes	5 Standard, See Below
Fixture Dimensions	6.3" x 6.3"
Fixture Weight	10.36 lbs
Lumen Maintenance	L80, B15 >60,000hrs (Ta 40°C)
Color Consistency	3-Step MacAdam
IP Rating	IP67
Impact Resistance	IK08

Fixture Dimensions



ORDERING INFORMATION

Example: LNKB80PROMHBBZV.US. Accessories / Power Supplies ordered separately.

			BBZ		US
Model No.	Optics	CCT		Finish	
LNKB80PRO	S - 14° Spot M - 30° Medium F - 45° Flood	Y - 2700K H - 3000K	BBZ	L - Graphite V - Oxide G - Black U - White H - Gray	US
LNKB81PRO	D - Diffuse				

Job Name/Date:

Fixture Type Designation:

SUGGESTED POWER SUPPLIES

24VDC

Part Number	Description	Input/Output	# of Fixtures
PPLT00155	Non-Dim	120VAC to 24VDC, 30W, Class 2	1-1
PPLT00586	Non-Dim	120-277VAC to 24VDC, 40W, Class 2	1-1
PPLT00709	ELV / TRIAC & 0-10V Dimming	120-277VAC to 24VDC, 96W, Class 2, DAMP	1-3
PPLT00543	0-10V Dimming to 15% (-40°C / -40°F cold weather start)	120-277VAC to 24VDC, 100W, Class 2	1-3

Suggested Lutron Compatible

Part Number	Option	Lutron SKU	Dim Range	Description	Input/Output	# of Fixtures
PPLT00273	L3DAE / L3DA3W	L3DA	100%-1%	Hi-Lume™ 1% EcoSystem™ or 1% 3-Wire LED Driver	120-277VAC to 24VDC, 40W, Class 2	1-1
PPLT00530	L3D0	L3D0	100%-0.1%	Hi-Lume™ Premier 0.1% or Ecosystem 3-Wire LED Driver	120-277VAC to 24VDC, 96W, Class 2	1-3

For other power supply options consult factory.

ACCESSORIES - Installation



00AKB60-80
Steel fixing spike kit

ROTATION



Horizontal



Vertical

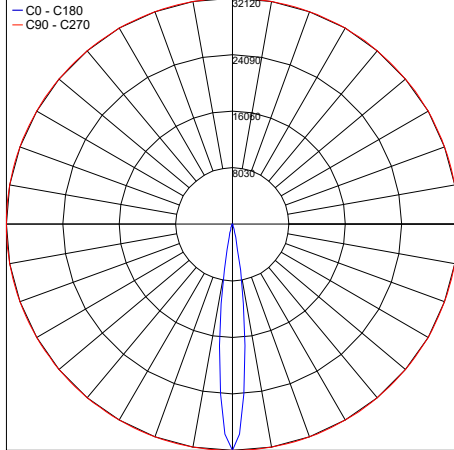
Job Name/Date:

Fixture Type Designation:

PHOTOMETRIC DATA

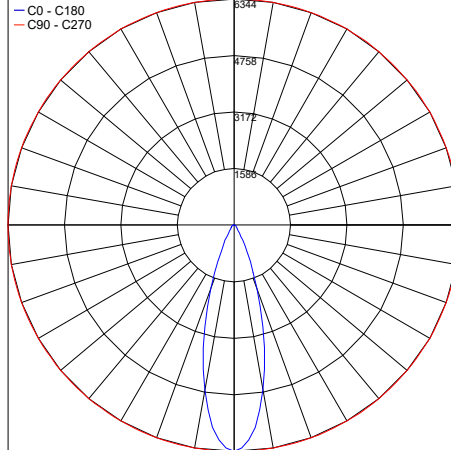
Note: All photometric data is 3000K

Maximum Candela = 32120



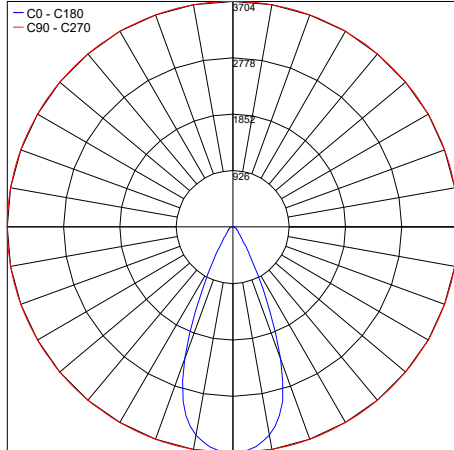
PHOTOMETRIC FILENAME : KUBOID 160 SPOT 30K - KB80PROSHB10X.IES

Maximum Candela = 6344.5



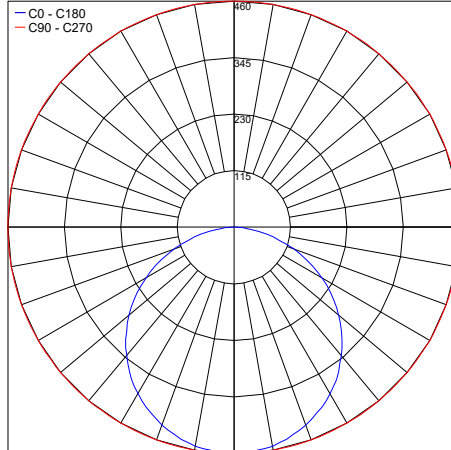
PHOTOMETRIC FILENAME : KUBOID 160 MEDIUM 30K - KB80PROMHB10X.IES

Maximum Candela = 3703.6



PHOTOMETRIC FILENAME : KUBOID 160 FLOOD 30K - KB80PROFHB10X.IES

Maximum Candela = 460.2



PHOTOMETRIC FILENAME : KUBOID 160 DIFFUSE 30K - KB81PRODXB1.IES

Job Name/Date:

Fixture Type Designation: