

L1 48V

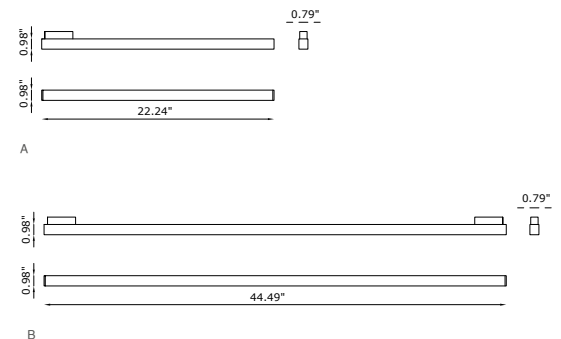
L1 48V is a linear LED module for interiors, suitable to be installed on a 48V track. It is available in two lengths (22.2" and 44.5") and in two different finishes (black and white). L1 is composed of a high efficiency LED and an opal closure screen which diffuses an even light in the space where it is installed.



TECHNICAL DATA

| | |
|---------------------------|--|
| Wattage / Input | 12W (BUT048L00014) 24W (BUT048L00015) |
| Track Power Supply | Remote 48VDC power supply for track, not included. See 48V Track datasheet |
| Track Head | Integral 48V LED Converter in Track Adapter |
| Dimming | Non-Dim, 0-10V Dim, Dali |
| Construction | Body: Aluminum Lens: Opal Diffused |
| CCT | 3000K (2700K, 4000K on request) |
| CRI | >90 |
| Delivered Lumens | 1500 lm (BUT048 L 00014) 3000 lm (BUT048 L 00015) |
| Efficacy | 124 lm/W (3000K) |
| Optics | Opal Diffuse |
| UGR Rating | <29 |
| Finishes | White, Black |
| Fixture Dimensions | 0.79" w x 22.2" or 44.5" l (0.98" h) |
| Fixture Weight | 0.88 lbs (BUT048 L 00014) 1.76 lbs (BUT048 L 00015) |
| IP Rating | IP20 |

Fixture Dimensions



ORDERING INFORMATION

Example: **BUT048L00015W10030ND0.US**. Power Supplies ordered separately.

| | | | | | | |
|--|--|--------------------------|---|---|----------|-----------|
| | | 00 | | | 0 | US |
| Model No. | Finish | Optic | CCT | Dimmability | | |
| BUT048L00014 (22.2" l) BUT048L00015 (44.5" l) 0-10V Dimming not available on the 22.2" version | W1 - White B1 - Black | 00 - Opal Diffuse | 27 - 2700K 30 - 3000K 40 - 4000K | ND - Non Dimmable 11 - 0-10V Dimming (only on 45") DA - DALI | 0 | US |

Job Name/Date:

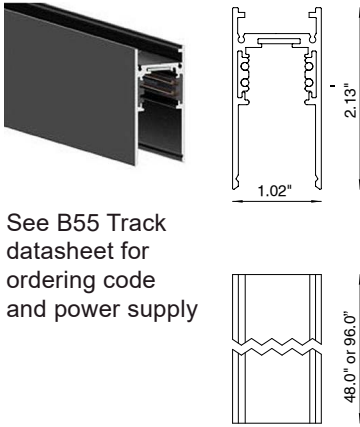
Fixture Type Designation:

SUGGESTED POWER SUPPLIES

48VDC - See Track Datasheets

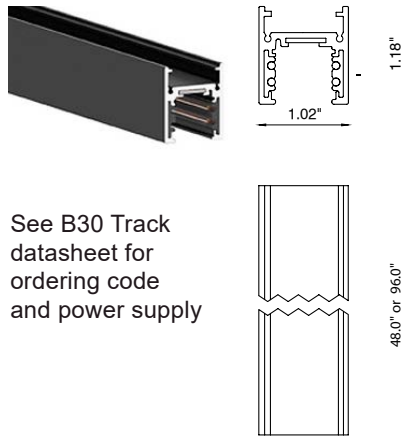
48V TRACKS

B55



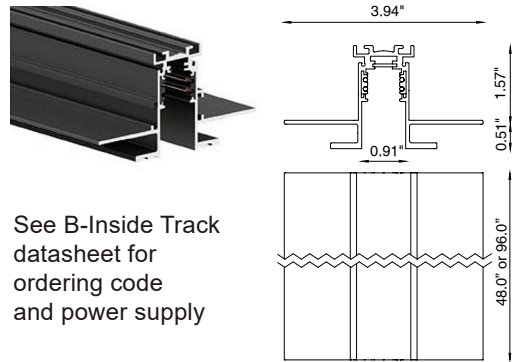
See B55 Track datasheet for ordering code and power supply

B30



See B30 Track datasheet for ordering code and power supply

B-INSIDE

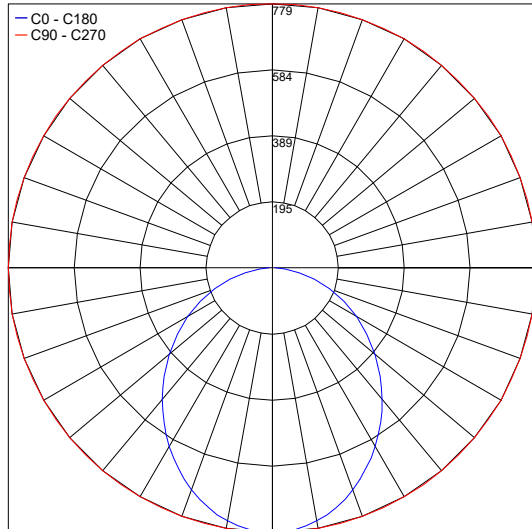


See B-Inside Track datasheet for ordering code and power supply

PHOTOMETRIC DATA

All photometry is 3000K

Maximum Candela = 778.7



PHOTOMETRIC FILENAME : L1 - BUT048L00015.IES

Job Name/Date:

Fixture Type Designation: