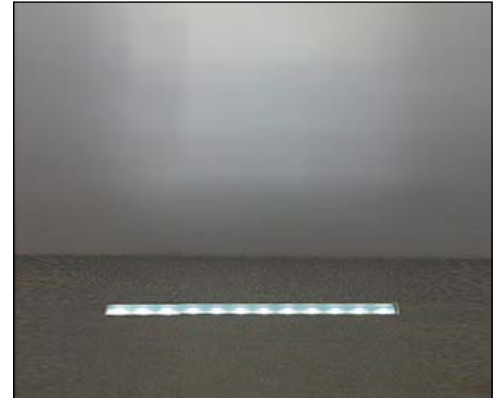


The LL2 is an in-grade uplight made of extruded aluminum which is offered in a 1-, 2-, 3- or 4-foot lengths. Driveover rated for 11,000 lbs. Suitable for power washing. Segmented blade louver or honeycomb louver can be added.

TECHNICAL DATA

Wattage / Input	15W per foot (800mA - 1, 2 ft, 1600mA - 4 ft)
Power Supply	Remote, not included. See page 3.
Construction	Body: Extruded Aluminum Lens: 0.5" Low Iron Clear Tempered Glass
Shielding	Asymmetric Tilt Lens, Segmented Blade or Honeycomb Louver can be added
CCT	3000K, 4000K, 5000K
CRI	>90 (3000K) >80 (4000K, 5000K)
Delivered Lumens	3229 lm (4 ft., 3000K, 21°)
Efficacy	44.8 lm/W (4 ft., 3000K, 21°)
Optics	5 Standard (see below)
Finishes	Gray Epoxy Polyester Finish
Fixture Dimensions	1.0', 2.0', 3.0" or 4.0' l x 4.13" h
LED Source	Samsung LH351B 90CRI 3000K
IP Rating	IP68, IP69 (Tested to EN / IEC 60598-1)
Driveover Rated	Up to 11,000 lbs



MADE IN AMERICA

Fixture Dimensions
2.0' or 4.0' l x 4.13" h
See Full Drawing on page 2

ORDERING INFORMATION

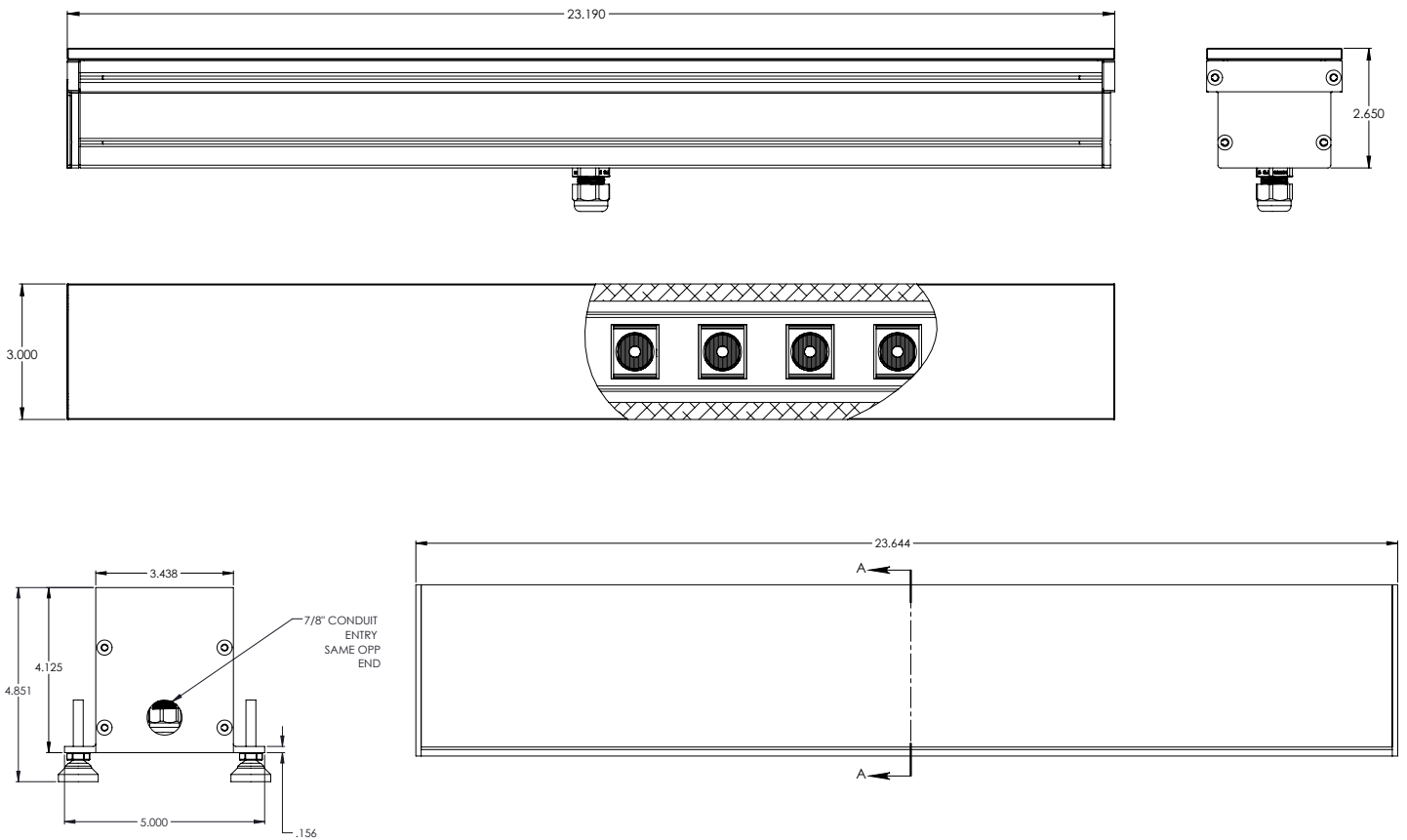
Example: LL2-L-4-40-4-GE-3-X-T-0.

LL2-L	-		-		-	4	-	GE	-		-	X	-		-	
Model #	Length	CCT	Body	Finish	Optics	Driver	Lens	Options								
LL2-L	1 - 1' (15W) 2 - 2' (30W) 3 - 3' (45W) 4 - 4' (60W)	30 - 3000K 40 - 4000K 50 - 5000K	4 - Fully Recessed	GE - Gray Epoxy	0 - None 1 - 10° 2 - 21° 3 - 39° 4 - 10°x44°	X - Remote Driver	T - Clear Tempered Glass Q - Clear Tempered w/ Anti-Skid Pattern	0 - none R - Segmented Louver Q - Honeycomb Louver N - Asymmetric Tilt Lens								
<div style="border: 1px solid black; padding: 5px; width: fit-content;"> <p>NOTE: "N" not suitable for 10°x44° optic)</p> </div>																

Job Name/Date:

Fixture Type Designation:

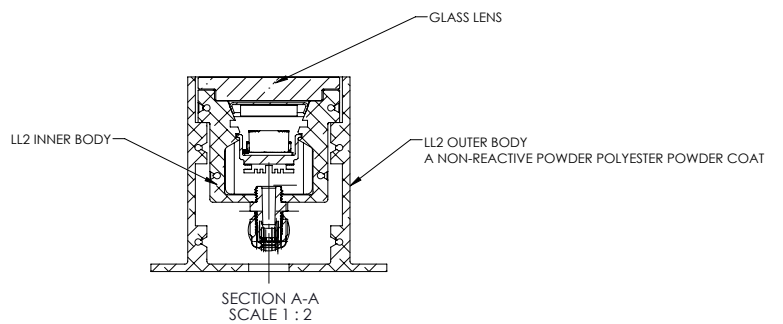
FIXTURE DIMENSIONS - 2 Foot Version



ACCESSORIES - Installation



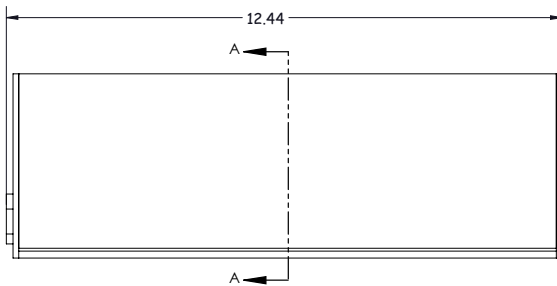
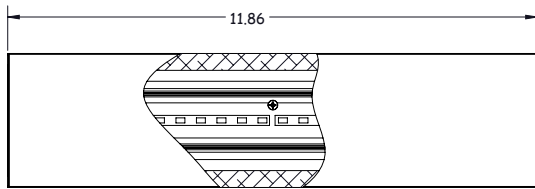
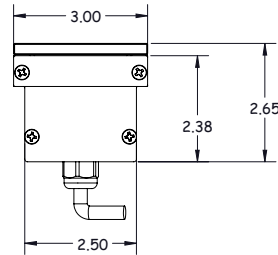
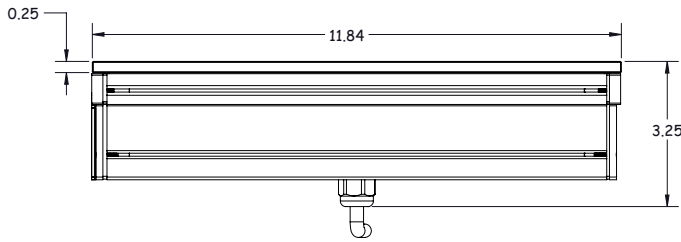
LL301
Leveling Pad
Set of 4



Job Name/Date:

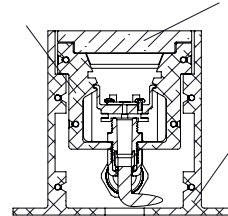
Fixture Type Designation:

FIXTURE DIMENSIONS - 1 Foot Version



LL1/LL2 INNER BODY

LOW IRON GLASS LENS



LL1/LL2 OUTER BODY W.
NON-REACTIVE POWDER
POLYESTER COATING

SECTION A-A

Job Name/Date:

Fixture Type Designation:

SUGGESTED POWER SUPPLIES

800mA - 1 ft. version

Part Number	Description	Input/Output	# of Fixtures (1 ft.)
PPLT00309-P	0-10V Dimming to 0.1%	120-277VAC to 800mA, 50W, Class 2, DAMP	1-1
PPLT00467-P	0-10V Dimming to 1.0%	120V-277AC to 800mA, 50W, Class 2, DAMP	1-1

800mA - 2 ft. version

Part Number	Description	Input/Output	# of Fixtures (2 ft.)
PPLT00309-P	0-10V Dimming to 0.1%	120-277VAC to 800mA, 50W, Class 2	1-1
PPLT00467-P	0-10V Dimming to 1.0%	120V-277AC to 800mA, 50W, Class 2	1-1

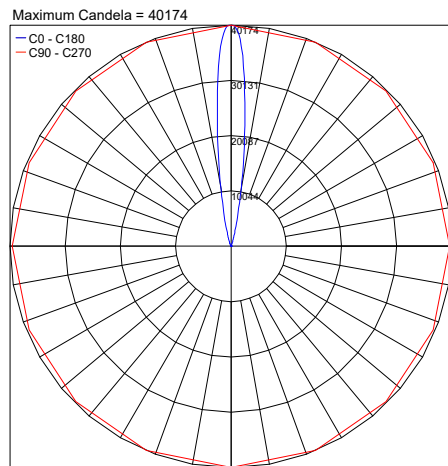
1600mA - 4 ft. version

Part Number	Description	Input/Output	# of Fixtures (4 ft.)
PPLT00558-P	0-10V Dimming to 0.1%	120-277VAC to 1600mA, 75W, Class 2	1-1

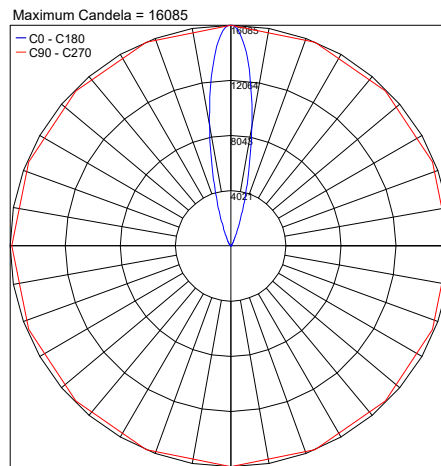
For other power supply options consult factory.

PHOTOMETRIC DATA

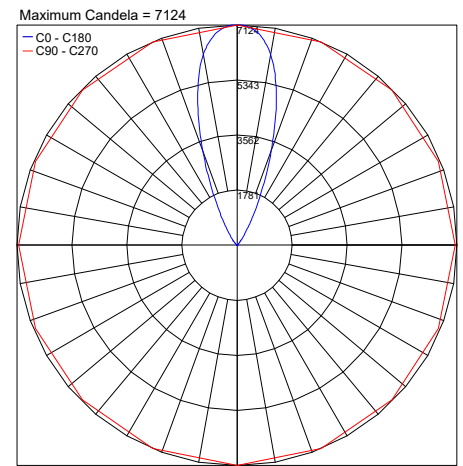
Note: Photometry is 3000K



PHOTOMETRIC FILENAME : LL2 30K 10° 4 FT NONE (LL2-L-4-30-4-GE-1-X-T-0).IES



PHOTOMETRIC FILENAME : LL2 30K 21° 4 FT NONE (LL2-L-4-30-4-GE-2-X-T-0).IES



PHOTOMETRIC FILENAME : LL2 30K 39° 4 FT NONE (LL2-L-4-30-4-GE-3-X-T-0).IES

Job Name/Date:

Fixture Type Designation: