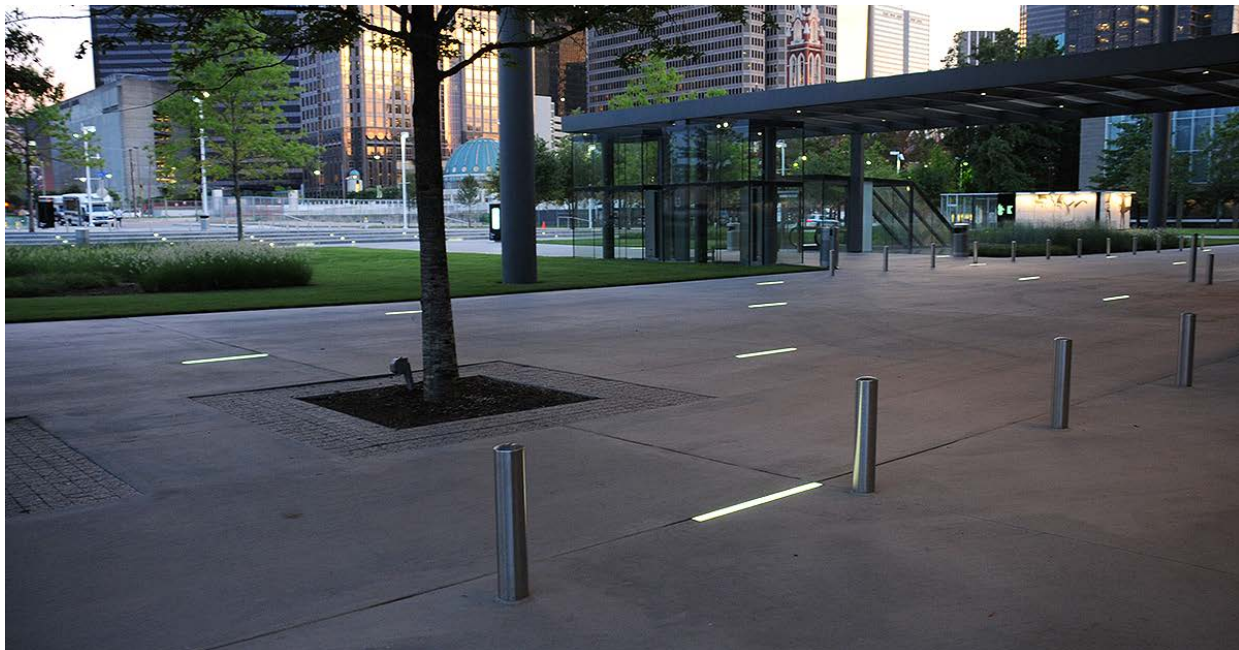


# LL3 / LL4

## IP68 / IP69K - Ingrade Linear Uplights

(Tested to EN / IEC 60598-1)



*Dallas Performing Arts Center, Tillotson Design, Lighting Consultant*

designplan™ 

The LL3 and LL4 are rated wet label IP68 and IP69K (suitable for power washing).

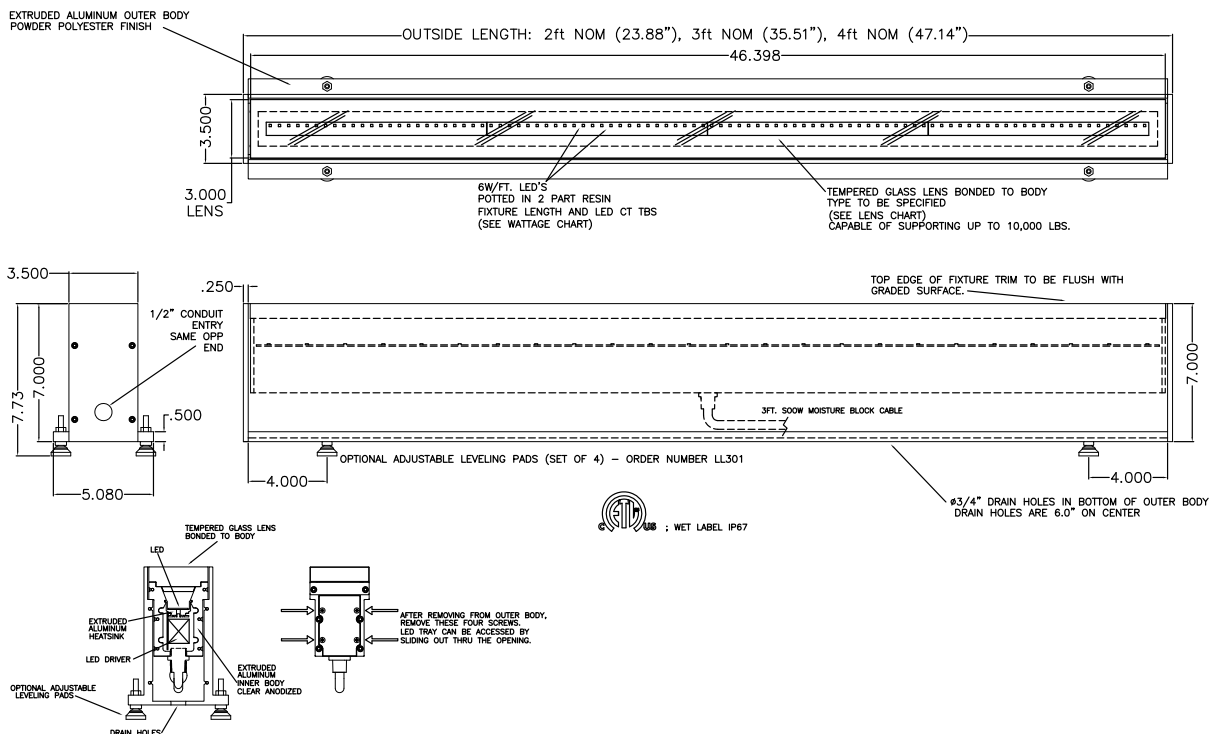
**Drive-over rated up to 20,000 lbs.**

## LL3



The LL3 is an ingrade uplight made of extruded aluminum which is offered in 2 ft., 3 ft., 4 ft. lengths.

<b>Wattage / Input</b>	6.4W per foot (120-277VAC)
<b>Power Supply</b>	Integral - 0-10V Dimming
<b>Construction</b>	Body: Extruded Aluminum Lens: 1.0" Clear Tempered Glass Lens Frame: Threaded Bottlecap
<b>CCT</b>	3000K, 5000K
<b>CRI</b>	CRI>80
<b>Optics</b>	None
<b>Finishes</b>	Gray Epoxy Polyester Finish
<b>Fixture Dimensions</b>	2.0', 3.0', 4.0', 6.0' l x 7.0" h
<b>Fixture Weight</b>	—
<b>LED Source</b>	Samsung 2323 Mid Power LED
<b>IP Rating</b>	IP67, IP69K
<b>Impact Rating</b>	—

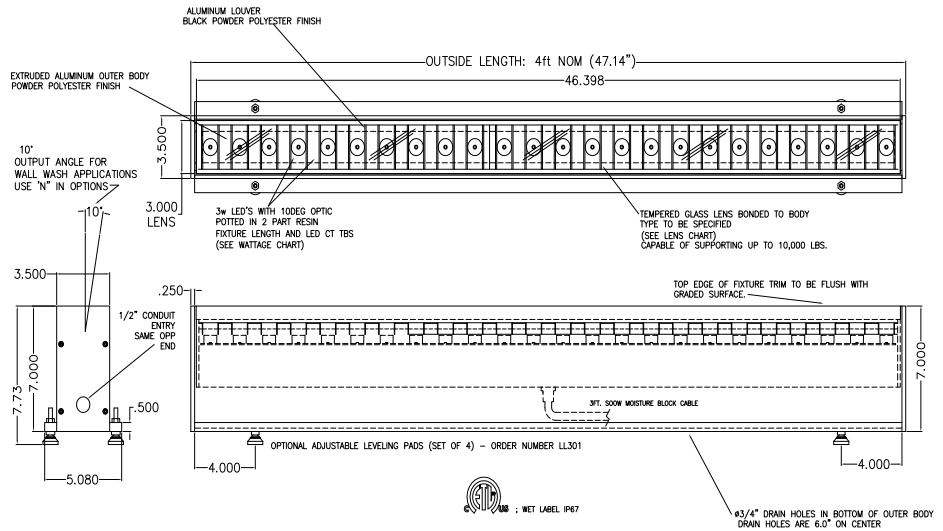
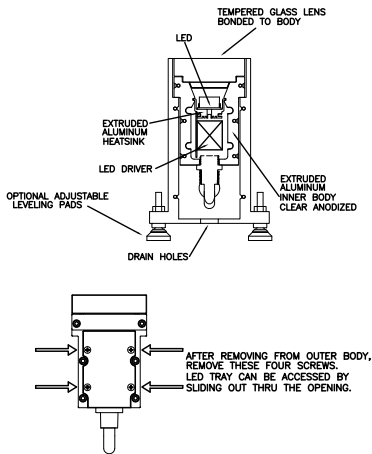


# LL4



The LL4 is an ingrade uplight made of extruded aluminum which is offered in 2 ft., 3 ft. and 4 ft. lengths.

<b>Wattage / Input</b>	3W (120-277VAC)
<b>Power Supply</b>	Integral - 0-10V Dimming
<b>Construction</b>	Body: Extruded Aluminum Lens: 1.0" Clear Tempered Glass Lens Frame: Threaded Bottlecap
<b>CCT</b>	3000K, 5000K
<b>CRI</b>	CRI>80
<b>Optics</b>	5 Standard (see below)
<b>Finishes</b>	Gray Epoxy Polyester Finish
<b>Fixture Dimensions</b>	2.0', 3.0', 4.0' l x 7.0" h
<b>Fixture Weight</b>	—
<b>LED Source</b>	Cree XPE LED
<b>IP Rating</b>	IP67, IP69K
<b>Impact Rating</b>	—



The LL3 and LL4 are rated wet label IP68 and IP69K (suitable for power washing).

**Drive-over rated up to 20,000 lbs.**