

LSW is a vandal resistant, IP65 wet label, linear low voltage slot LED that is suitable for steam rooms or exterior canopies. It is offered in 1, 2 and 4 foot lengths, semi-recessed or surface mounted (wall and ceiling) with no visible screws. The frame cover hinges down to access the LED trays which are removeable with quick disconnect. Available in static or tunable white with 2 optic options and 4 standard finishes.



TECHNICAL DATA

Wattage / Input	8.1W per foot (static white - 700mA, 1400mA) 6.3W per foot (tunable white - 1050mA)
Power Supply	Remote, not included. See page 2.
Construction	Body: Extruded Aluminum Lens: 3/16" Clear PVC Diffuser
CCT	Static: 2700K, 3000K, 3500K Tunable: 2700K to 5000K
CRI	>90
Initial Lumens	1241 lm per foot (3000K) 850 lm per foot (tunable white)
Delivered Lumens	418 per foot (3500K)
Efficacy	153.2 lm/W per foot (3000K) 134.9 lm/W per foot (tunable white)
Optics	50°, 80° - Glare reducing optic with baffle UGR<19
Finishes	4 Standard, Custom RAL on request
Fixture Dimensions	3.37" w x 13.25", 24.38" or 46.50" l
Aperature	1.40" w x 10.93", 22.00", 44.16" l
Recessed Height	2.27" (3.67" recessed height) 2.20" (surface mounted)
LED Source	Mid Power LEDs
IP Rating	IP65

MADE IN THE U.S.A.
ADA Compliant

Fixture Dimensions (see drawing on page 2)

Frame cover has no exposed screws and hinges for access to the LEDs.



NOTE: Fixture is CLASS 2 LOW VOLTAGE and does not mount to a "Junction Box".

ORDERING INFORMATION

Example: LSW-L-2-30-50-C-11-C-RMT-0. Power Supplies ordered separately.

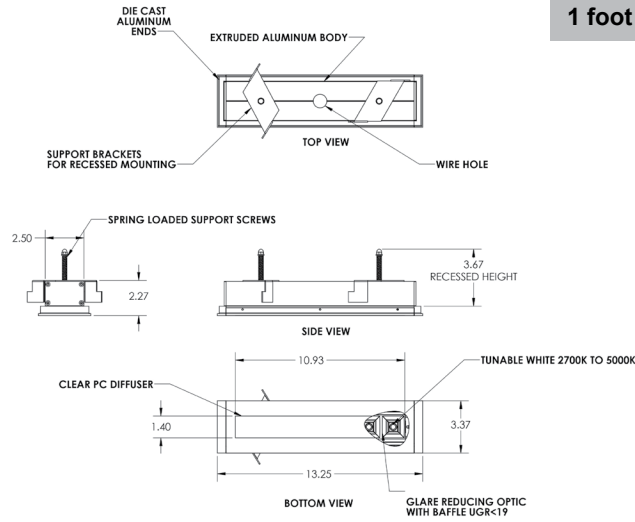
LSW-L	-		-		-		-	C	-	RMT	-	0
Model #	Length	CCT	Optics	Body	Finish	Lens	Dimming	Options				
LSW-L	1 - 1 ft 2 - 2 ft 4 - 4 ft	27 - 2700K 30 - 3000K 35 - 3500K TW - 2700K-5000K	50 - 50° 80 - 80°	C - Semi Recessed 1 - Surface Mounted	11 - White Suede 02 - Black Suede 18 - Textured Bronze TS - Silver C - Custom	C - Clear	RMT - Remote Required (See page 2 for power supply options)	0 - None				

Job Name/Date:

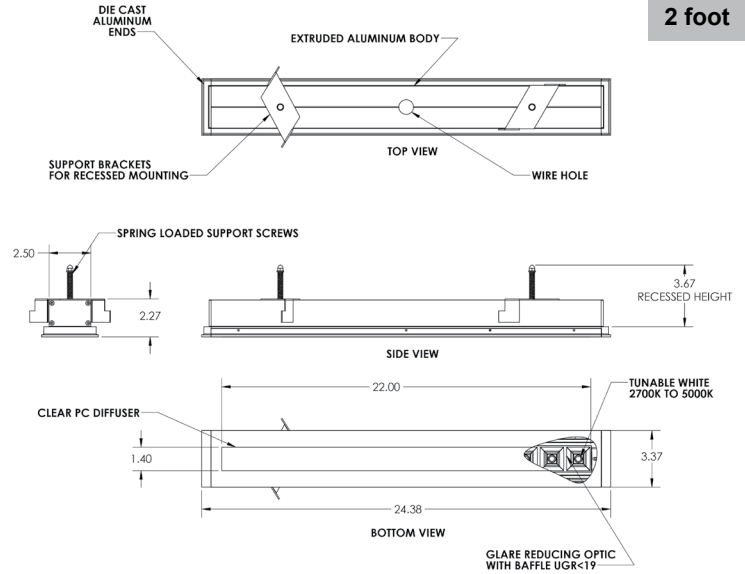
Fixture Type Designation:

FIXTURE DIMENSIONS - Semi-Recessed

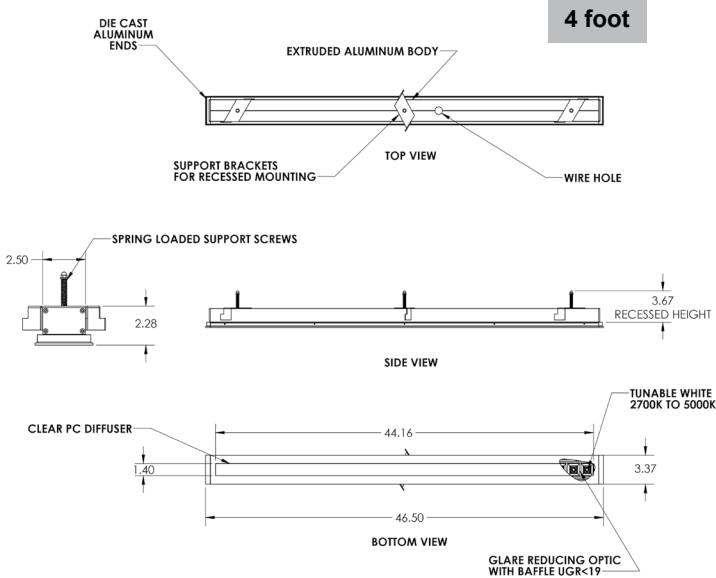
1 foot



2 foot



4 foot

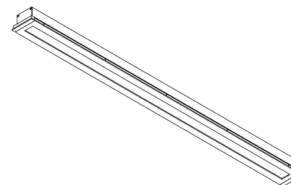
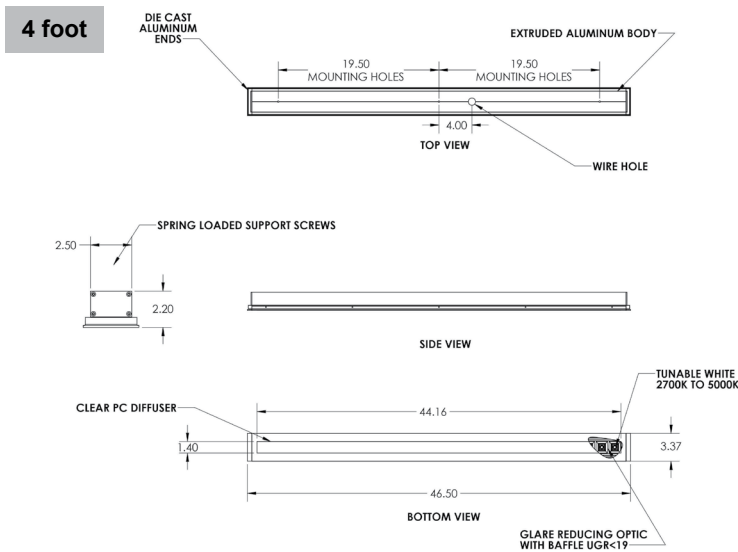
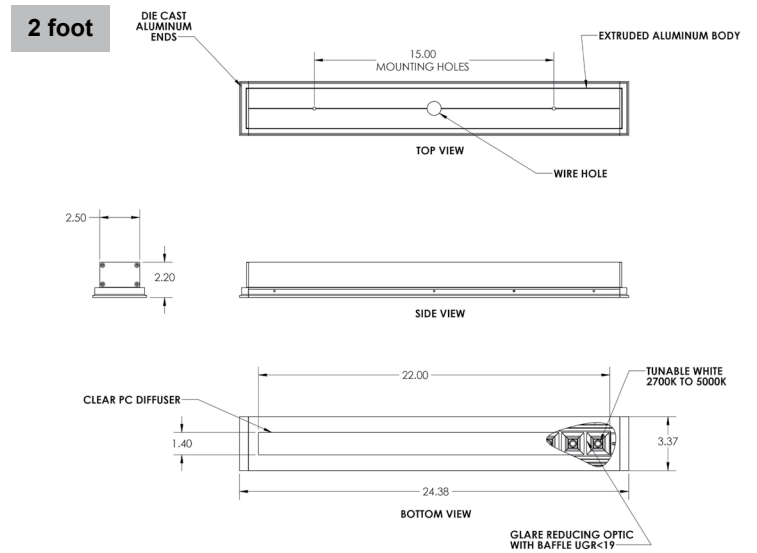
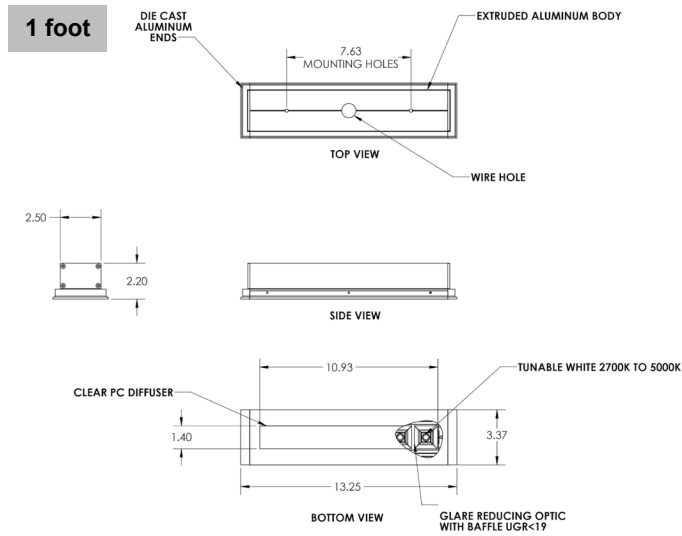


NOTE: Support brackets only used with semi-recessed version.

Job Name/Date:

Fixture Type Designation:

FIXTURE DIMENSIONS - Surface Mounted



Job Name/Date:

Fixture Type Designation:

SUGGESTED POWER SUPPLIES

700mA (static white - 1 or 2 foot versions)

Part Number	Description	Input/Output	# of Fixtures	
			1 foot	2 foot
PPLT00498	Phase Dim (120V only)	120VAC to 700mA, 12W, Class 2	1-1	—
PPLT00465-P	0-10V Dimming to 1.0%	120-277VAC to 700mA, 20W, Class 2	1-2	1-1
PPLT00308-P	0-10V Dimming to 0.1%	120-277VAC to 700mA, 30W, Class 2	1-3	1-1
PPLT00467-P	0-10V Dimming to 1.0%	120-277VAC to 700mA, 50W, Class 2	1-4	1-2
PPLT00538-P	0-10V Dimming to 0.1%	120-277VAC to 700mA, 100W, Class 2	1-12	1-4

1400mA (static white - 4 foot version)

Part Number	Description	Input/Output	# of Fixtures (4 foot)
PPLT00467-P	0-10V Dimming to 1.0%	120-277VAC to 1400mA, 50W, Class 2	1-1

Lutron Compatible (static white - 700mA - 1 foot version)

Part Number	Option	Lutron SKU	Dim Range	Description	Input/Output	# of Fixtures
PPLT00512	LTEA2W	LTEA	100%-1%	Hi-Lume™ 1% 2-Wire LED Driver (120V forward phase only)	120VAC to 700mA, 14W, Class 2	1-1
PPLT00515	L3DAE / L3DA3W	L3DA	100%-1%	Hi-Lume™ 1% EcoSystem™ or 1% 3-Wire LED Driver	120-277VAC to 700mA, 14W, Class 2	1-1
PPLT00278	LTEA2W	LTEA	100%-1%	Hi-Lume™ 1% 2-Wire LED Driver (120V forward phase only)	120VAC to 700mA, 27W, Class 2	2-3
PPLT00517	L3DAE / L3DA3W	L3DA	100%-1%	Hi-Lume™ 1% EcoSystem™ or 1% 3-Wire LED Driver	120-277VAC to 700mA, 27W, Class 2	2-3
PPLT00510	LTEA2W	LTEA	100%-1%	Hi-Lume™ 1% 2-Wire LED Driver (120V forward phase only)	120VAC to 700mA, 38W, Class 2	3-4
PPLT00181	L3DAE / L3DA3W	L3DA	100%-1%	Hi-Lume™ 1% EcoSystem™ or 1% 3-Wire LED Driver	120-277VAC to 700mA, 38W, Class 2	3-4

Lutron Compatible (static white - 700mA - 2 foot version)

Part Number	Option	Lutron SKU	Dim Range	Description	Input/Output	# of Fixtures
PPLT00278	LTEA2W	LTEA	100%-1%	Hi-Lume™ 1% 2-Wire LED Driver (120V forward phase only)	120VAC to 700mA, 27W, Class 2	1-1
PPLT00517	L3DAE / L3DA3W	L3DA	100%-1%	Hi-Lume™ 1% EcoSystem™ or 1% 3-Wire LED Driver	120-277VAC to 700mA, 27W, Class 2	1-1
PPLT00510	LTEA2W	LTEA	100%-1%	Hi-Lume™ 1% 2-Wire LED Driver (120V forward phase only)	120VAC to 700mA, 38W, Class 2	2-2
PPLT00181	L3DAE / L3DA3W	L3DA	100%-1%	Hi-Lume™ 1% EcoSystem™ or 1% 3-Wire LED Driver	120-277VAC to 700mA, 38W, Class 2	2-2

Lutron Compatible (static white - 1400mA - 4 foot version)

Part Number	Option	Lutron SKU	Dim Range	Description	Input/Output	# of Fixtures
PPLT00608	L3DAE / L3DA3W	L3DA	100%-1%	Hi-Lume™ 1% EcoSystem™ or 1% 3-Wire LED Driver	120-277VAC to 1400mA, 40W, Class 2	1-1

1050mA - Tunable White version

Part Number	Description	Input/Output	# of Fixtures		
			1 ft	2ft	4 ft
PPLT00548	0-10V Dimming to 0.1%	120-277VAC to 1050mA, 50W, Class 2	1-6	1-3	1-1

For other power supply options consult factory.

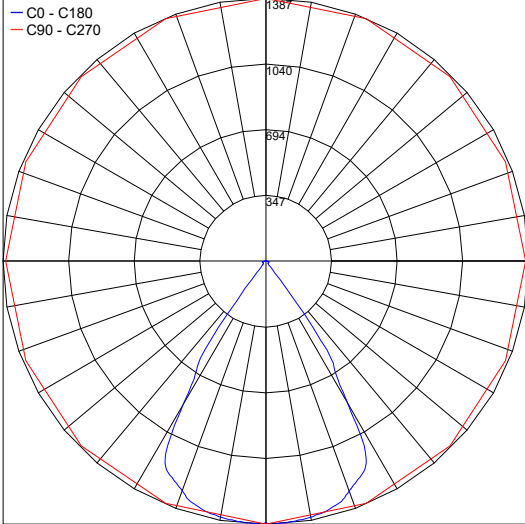
Job Name/Date:

Fixture Type Designation:

PHOTOMETRIC DATA

Note: Photometry is 3500K, 80°

Maximum Candela = 1387



PHOTOMETRIC FILENAME : LSW-L43580111CRMT00 35K 80° SURFACE.IES

Job Name/Date:

Fixture Type Designation: