

Lambda is a minimalist lighting solution that offers linear spread upper and diffused lower light emissions. Small details such as no power cord maintain the minimalistic idea without sacrificing function in the field. It is available in various lengths with multiple color temperature and finish options. Continuous runs available - see page 3.



MADE IN THE U.S.A.

Fixture Dimensions
See Drawing on page 2.

Up and Down dim together
(Separate Dimming on request)

TECHNICAL DATA

Wattage / Input	72W (4 ft), 144W (8 ft) (120-277VAC - 347VAC available)
Power Supply	Integral (0-10V Dimming)
Construction	Body: Extruded Aluminum Mounting: Aircraft Cable
CCT	2700K, 3000K, 3500K, 4000K
CRI	>90
Delivered Lumens	Up - 2254 lm, Down - 1692 lm (4 ft, 3000K)
Efficacy	Up: 25.6 lm/W, Down: 25.9 lm/W
Optics	Up: Linear Spread, Down: Diffuse
Finishes	4 Standard, See Below.
Fixture Dimensions	4.04" x 6.15" See page 2.
LED Source	Mid-Power LEDs
IP Rating	IP20

ORDERING INFORMATION

Example: **LAM-L-8-30-P-10-C-SC**.

LAM-L	-		-	P	-		-	
-------	---	--	---	---	---	--	---	--

Model No.	Length	CCT	Body	Finish	Driver	Canopy
LAM-L	4 - 4 foot	27 - 2700K	P - Pendant	02 - Black Suede	C - 120-277VAC, 0-10V Dimming	RC - Recessed*
	6 - 6 foot	30 - 3000K		18 - Textured Bronze		SC - Surface*
	8 - 8 foot	35 - 3500K		TS - Silver	2 - 347V, 0-10V Dimming	RW - Recessed, White
		40 - 4000K		11 - White Suede		SW - Surface, White
			99 - Custom		AS - Surface Acoustical Tile*	
						AW - Surface Acoustical Tile, White

* Same finish as fixture
- Other color on request -

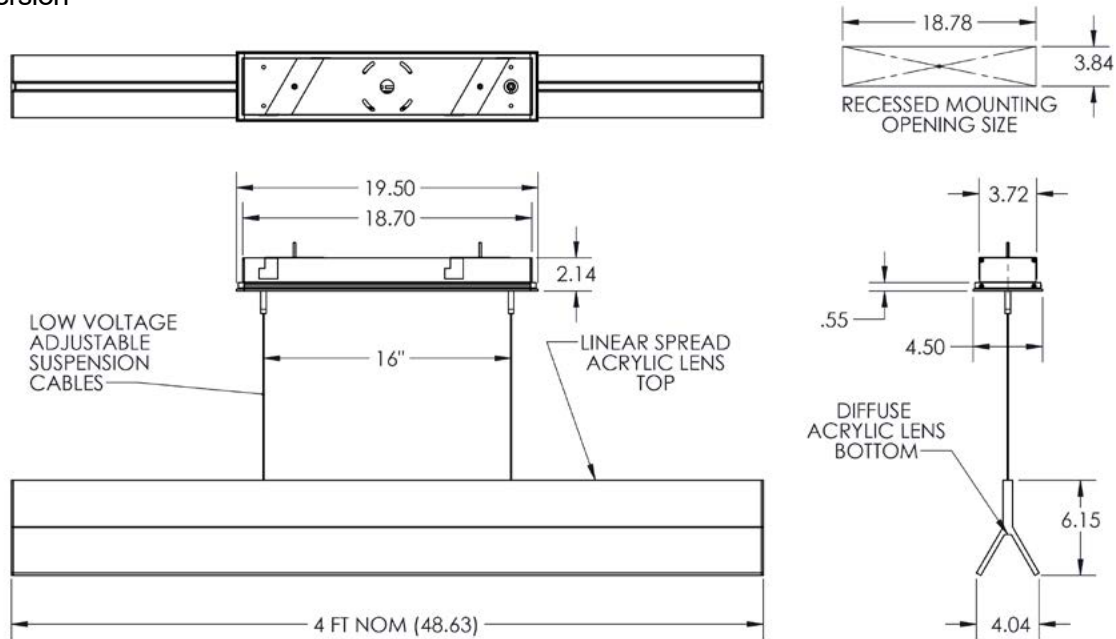
NOTE: AS & AW utilize a rosette mounting pattern to allow direct mounting to a junction box that will hold a minimum of 50 lbs.

Job Name/Date:

Fixture Type Designation:

FIXTURE DIMENSIONS

4 foot version



NOTES:

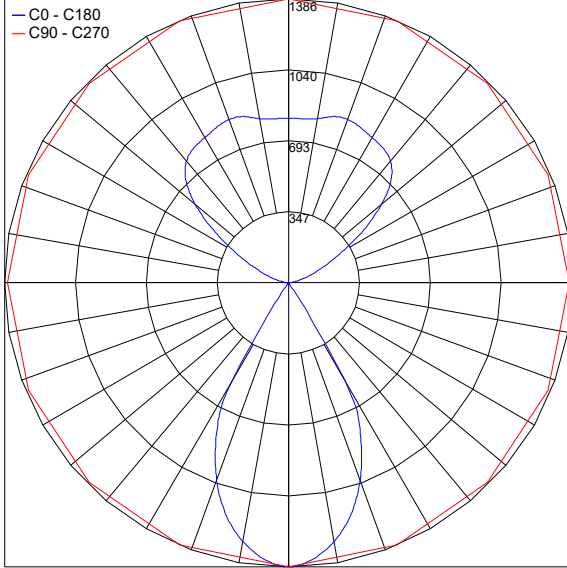
1. CANOPY CAN BE RECESSED IN THE CEILING OR SURFACE MOUNTED OVER J-BOX CAPABLE OF SUPPORTING MIN. 50 LB

Job Name/Date:

Fixture Type Designation:

PHOTOMETRIC DATA

Maximum Candela = 1386



PHOTOMETRIC FILENAME : LAMBDA-PENDANT 3000K.IES

ACCESSORIES - CONNECTORS for Continuous Run



Connectors Example: LAM-C18020201

LAM	- C180	2		01
Model No.	Type	# of Ends	Finish	Option
LAM	C180 - 180° Connector	2 - 1 connector for every 2 fixtures	02 - Black Suede 18 - Textured Bronze TS - Silver 11 - White Suede 99 - Custom	01 - None

Job Name/Date:

Fixture Type Designation: