

LIGHTING PROTECTION RATINGS

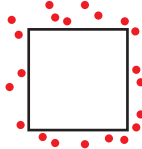
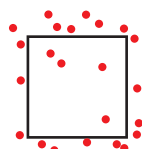
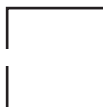



IP Protection Ratings

IPXX

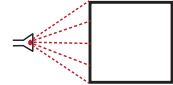

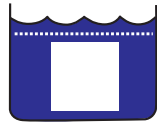
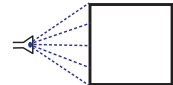
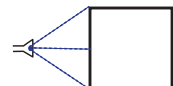
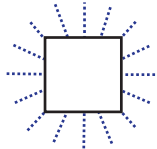
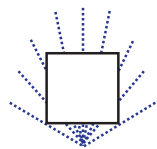
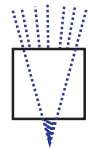
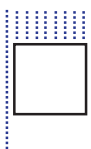
Protection from Solid Objects, Dust & Moisture

IP_X

Solid Objects & Dust Protection

6	Dust Tight No Dust Entry	
5	Dust Proof	
4	Solid Objects > 0.04"	
3	Solid Objects > 0.10"	
2	Accessibility Probe > 0.47"	
1	Solid Objects > 1.97"	
0	Not Protected/Evaluated	

IPX_ Moisture Protection

9	High Pressure & Temperature Jet	
8	Pressure Watertight > 3.28' Submersion Tested at 1.3X Rating	
7	Watertight 3.28' Submersion	
6	Powerful Jet Proof	
5	Jet Proof	
4	Splash Proof Water Spray 360°	
3	Rain Proof Water Spray 60° from vertical	
2	Drip Proof when tilted 15° from vertical	
1	Drip Proof Vertical Drops	
0	Not Protected/Evaluated	