

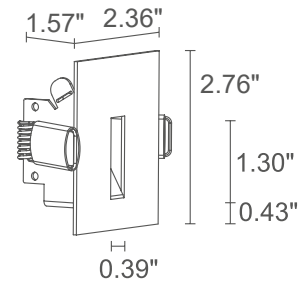
Line 1.1 is an indoor steplight for recessed installation in platerboard. It is available in white or blue light, and with three different finishes.



## TECHNICAL DATA

<b>Wattage / Input</b>	2W (500mA)
<b>Power Supply</b>	Remote, not included. See page 2.
<b>Construction</b>	Body and Trim: Sheet Metal / Steel
<b>CCT</b>	2700K, 3000K, 4000K, 5000K, Blue
<b>CRI</b>	>80
<b>Delivered Lumens</b>	32 lm (3000K, 500mA)
<b>Efficacy</b>	16 lm (3000K, 500mA)
<b>Optics</b>	Diffuse
<b>Finishes</b>	3 Standard, Custom RAL
<b>Fixture Dimensions</b>	2.76" h x 2.36" w x 1.57" l
<b>Cutout Size</b>	1.50" x 2.17"
<b>Fixture Weight</b>	0.77 lbs
<b>LED Source</b>	1 Power LED
<b>Lumen Maintenance</b>	L90, B10>50,000hrs (Ta 25°C)
<b>Color Consistency</b>	1/4 ANSI BIN
<b>Operating Temp.</b>	32°F to +113°F
<b>IP Rating</b>	IP20
<b>IK Rating</b>	IK06

Wall Cut-out: 1.50" x 2.17"  
Fixture Dimensions



## ORDERING INFORMATION

Example: LN1112FAB. Power Supplies ordered separately.

LN1112		A	
Model No.	CCT	Optics	Finish
LN1112	F - 2700K 5 - 3000K 9 - 4000K 0 - 5000K 1 - Blue	A - Diffuse	B - White S - Satin T - Cor-ten C - Custom RAL (Consult factory for "C")

Job Name/Date:

Fixture Type Designation:

## SUGGESTED POWER SUPPLIES

500mA

Part Number	Description	Input/Output	# of Fixtures
<a href="#">PPLT00497</a>	Phase Dim (120V only)	120VAC to 500mA, 12W, Class 2	2-5
<a href="#">PPLT00465-P</a>	0-10V Dimming to 1.0%	120-277VAC to 500mA, 20W, Class 2	1-10
<a href="#">PPLT00309-P</a>	0-10V Dimming to 0.1%	120-277VAC to 500mA, 50W, Class 2	1-13
<a href="#">PPLT00538-P</a>	0-10V Dimming to 0.1%	120-277VAC to 500mA, 100W, Class 2	1-48

## Suggested Lutron Compatible

Part Number	Option	Lutron SKU	Dim Range	Description	Input/Output	# of Fixtures
<a href="#">PPLT00259</a>	L3DAE / L3DA3W	L3DA	100%-1%	Hi-Lume™ 1% EcoSystem™ or 1% 3-Wire LED Driver	120-277VAC to 500mA, 10W, Class 2	3-4
<a href="#">PPLT00195</a>	L3DAE / L3DA3W	L3DA	100%-1%	Hi-Lume™ 1% EcoSystem™ or 1% 3-Wire LED Driver	120-277VAC to 500mA, 19W, Class 2	5-9
<a href="#">PPLT00180</a>	L3DAE / L3DA3W	L3DA	100%-1%	Hi-Lume™ 1% EcoSystem™ or 1% 3-Wire LED Driver	120-277VAC to 500mA, 27W, Class 2	10-13

For other power supply options consult factory.

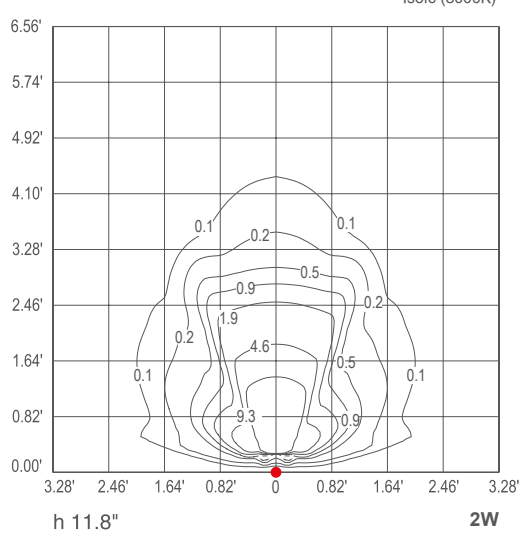
Job Name/Date:

Fixture Type Designation:

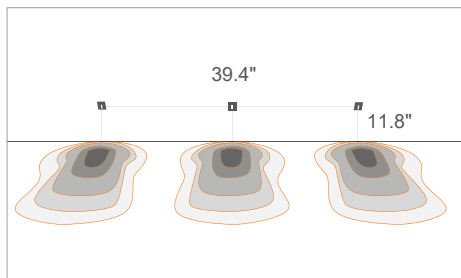
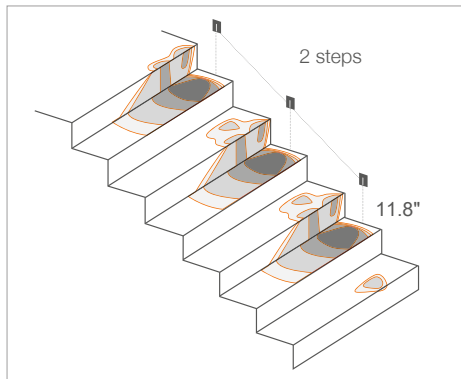
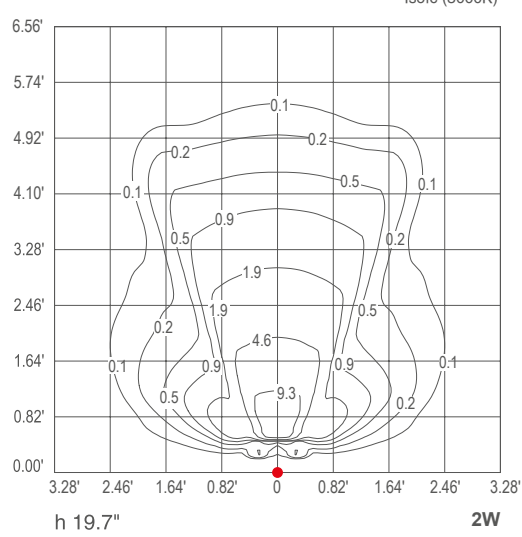
## PHOTOMETRIC DATA

Note all Photometry is 3000K

D - Diffuse



D - Diffuse



Job Name/Date:

Fixture Type Designation: