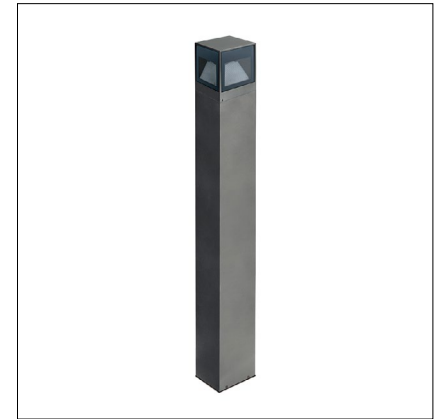


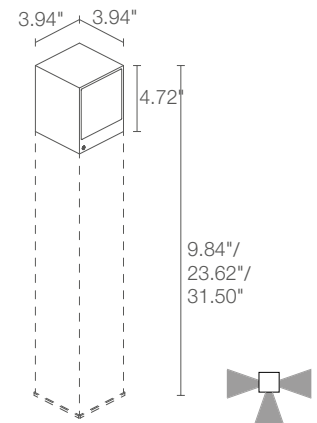
Linear are a series of bollards for outdoor use, available in different heights and ideal for gardens and small paths. Linear 2 features 1, 2, 3 and 4 beam options, asymmetric optics, and 3 standard finishes. Dark Sky compliant for output below 80°.



TECHNICAL DATA

Wattage / Input	10W (120VAC)
Power Supply	Integral
Construction	Body: Aluminum alloy EN AW 6060 Lens: Serigraphed, transparent and tempered extra-clear glass
CCT	2700K, 3000K, 4000K
CRI	>80
BUG Rating	B0-U1-G0
Delivered Lumens	100 lm per beam (3000K) Dark Sky compliant, output below 80°
Efficacy	10 lm/W per beam (3000K)
Optics	Asymmetrical
Finishes	3 Standard, Custom RAL (see below)
Fixture Dimensions	3.94" l x 3.94" w x 4.72" / 9.84" / 23.62" / 31.50" h
Fixture Weight	3.53 lbs, 4.41 lbs, 5.95 lbs, 6.83 lbs
LED Source	3 Power LEDs
Lumen Maintenance	L90, B10 >50,000hrs (Ta 25°C)
Color Consistency	1/4 ANSI BIN
Operating Temp.	-4°F to +113°F
IP Rating	IP65
IK Rating	IK07

Fixture Dimensions



ORDERING INFORMATION

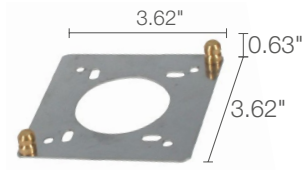
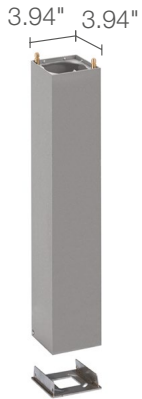
Example: CL23105AF. Accessories ordered separately.

CL2310		A	
Model No.	CCT	Optics	Finish
CL2310	F - 2700K 5 - 3000K 9 - 4000K	A - Asymmetrical	F - Gray H - Anthracite T - Corten C - Custom RAL (consult factory for "C")

Job Name/Date:

Fixture Type Designation:

ACCESSORIES Installation



WT000000
Plate for ground
installation

WT20 _____

Column

For column include one of the below
heights then choose a finish:

250 - 9.84" **F** - Gray

600 - 23.62" **H** - Anthracite

800 - 31.50" **T** - Corten

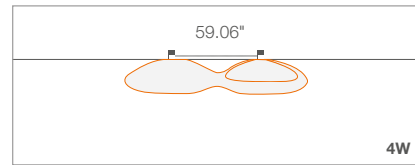
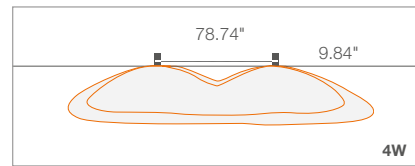
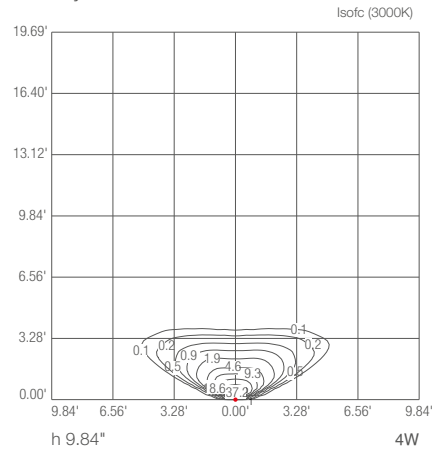
Job Name/Date:

Fixture Type Designation:

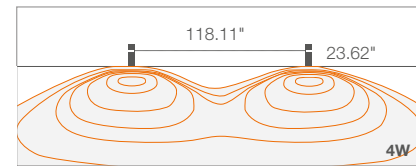
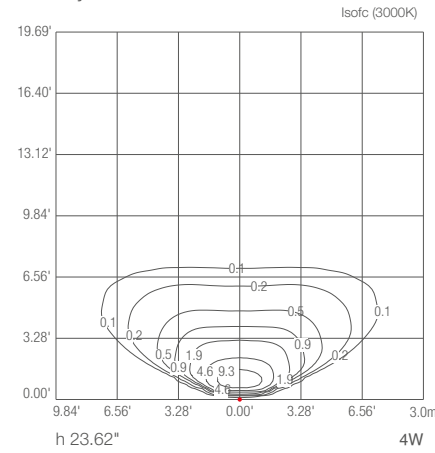
PHOTOMETRIC DATA

Note all Photometry is 3000K, per beam

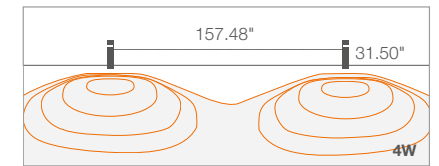
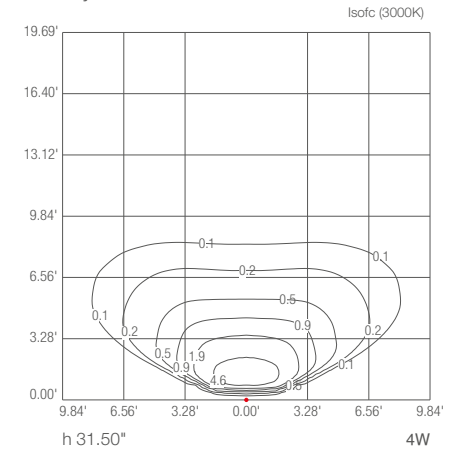
A - Asymmetrical



A - Asymmetrical



A - Asymmetrical



Job Name/Date:

Fixture Type Designation: