



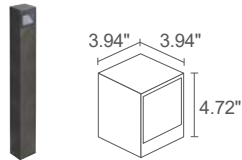
OUTDOOR BOLLARDS



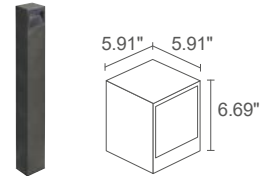
asymmetrical



2700K 3000K 4000K



HEIGHT 9.84/23.62/31.50 in



HEIGHT 23.62/31.50 in



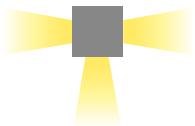
LINEAR 2.1
4W/8.5W 120VAC

LINEAR 4.1
8W/16W 120VAC

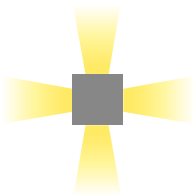


LINEAR 2.2
7W/15W 120VAC

LINEAR 4.2
14W/32W 120VAC



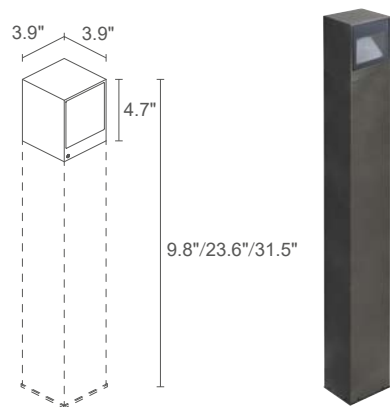
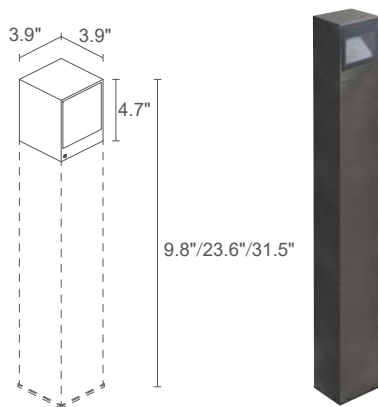
LINEAR 2.3
10W 120VAC



LINEAR 2.4
13W 120VAC

LINEAR 4.4
28W 120VAC

< **LINEAR 2.1/2.4/4.2**
3000K, 4W - 13W - 14W, anthracite
height 9.84 in - 23.62 in - 31.50 in



LINEAR 2.1



3.53 lbs
 4.41 lbs h 9.84
 5.95 lbs h 23.62
 6.83 lbs h 31.50 in IP65 IK07




POWER / MODEL CODE

4W 120VAC
CL2110 **A F** Grey
CL2110 **A H** Anthracite
CL2110 **A T** Cor-ten

8.5W 120VAC
CL2111 **A F** Grey
CL2111 **A H** Anthracite
CL2111 **A T** Cor-ten

LED COLOR

F - 2700K
5 - 3000K
9 - 4000K

OPTICS

asymmetrical

LUMEN OUTPUT AT SOURCE 184 lm (3000K, 4W)
657 lm (3000K, 8.5W)

DELIVERED LUMEN OUTPUT 100 lm (3000K, 4W)
284 lm (3000K, 8.5W)

NO. AND TYPE OF LED 1 power LED, 1/4 ANSI BIN (4W version)
1 high-intensity power LED
3-step MacAdam (8.5W version)
50000h L90 B10 (Ta 25°C)

MATERIAL head in aluminum, column in anticorodal aluminum
lens in serigraphed and transparent,
tempered extra-clear glass

POWER SUPPLY UNIT built in

POWER CABLES connection box with 3.28 ft cable
H05RN-F 2x0.03 Ø0.25 in




MOUNTING surface mounted (ground)

ACCESSORIES see accessories page

NOTES non-standard heights available
on request
Casambi-compatible version, controllable with
the Casambi app, available on request

LINEAR 2.2



3.53 lbs
 4.41 lbs h 9.84 in
 5.95 lbs h 23.62 in
 6.83 lbs h 31.50 in IP65 IK07




7W 120VAC
CL2210 **A F** Grey
CL2210 **A H** Anthracite
CL2210 **A T** Cor-ten

15W 120VAC
CL2211 **A F** Grey
CL2211 **A H** Anthracite
CL2211 **A T** Cor-ten

F - 2700K
5 - 3000K
9 - 4000K

asymmetrical

LUMEN OUTPUT AT SOURCE 368 lm (3000K, 7W)
1314 lm (3000K, 15W)

DELIVERED LUMEN OUTPUT 200 lm (3000K, 7W)
568 lm (3000K, 15W)

NO. AND TYPE OF LED 2 power LEDs, 1/4 ANSI BIN (7W version)
2 high-intensity power LEDs
3-step MacAdam (15W version)
50000h L90 B10 (Ta 25°C)

MATERIAL head in aluminum, column in anticorodal aluminum
lens in serigraphed and transparent,
tempered extra-clear glass

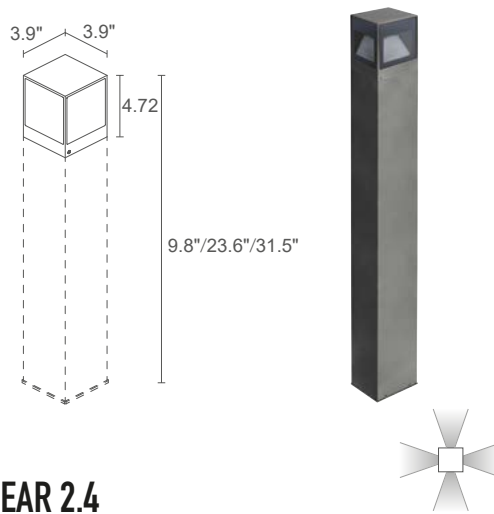
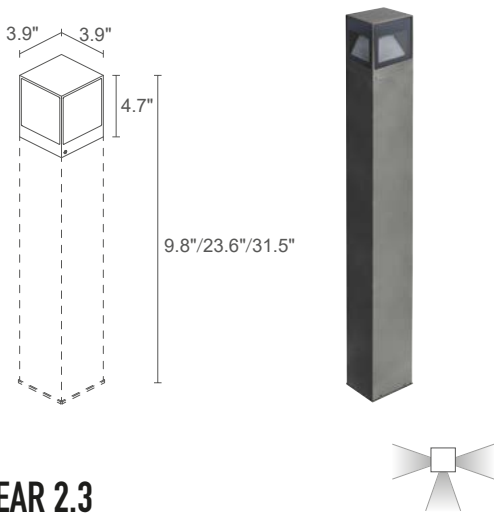
POWER SUPPLY UNIT built in

POWER CABLES connection box with 3.28 ft cable
H05RN-F 2x0.03 Ø0.25 in

MOUNTING surface mounted (ground)

ACCESSORIES see accessories page

NOTES non-standard heights available
on request
Casambi-compatible version, controllable with
the Casambi app, available on request



LINEAR 2.3

LINEAR 2.4

3.53 lbs
 4.41 lbs h 9.84 in
 5.95 lbs h 23.62 in
 6.83 lbs h 31.50 in
 IP65 IK07

CB
 3.53 lbs
 4.41 lbs h 9.84 in
 5.95 lbs h 23.62 in
 6.83 lbs h 31.50 in
 IP65 IK07

10W 120VAC
CL2310 **A F** Grey
CL2310 **A H** Anthracite
CL2310 **A T** Cor-ten

13W 120VAC
CL2410 **A F** Grey
CL2410 **A H** Anthracite
CL2410 **A T** Cor-ten

F - 2700K
5 - 3000K
9 - 4000K

F - 2700K
5 - 3000K
9 - 4000K

asymmetrical

asymmetrical

552 lm (3000K)

736 lm (3000K)

300 lm (3000K)

400 lm (3000K)

3 power LEDs
1/4 ANSI BIN, 50000h L90 B10 (Ta 25°C)

4 power LEDs
1/4 ANSI BIN, 50000h L90 B10 (Ta 25°C)

head in aluminum, column in anticorrosion aluminum
lens in serigraphed and transparent,
tempered extra-clear glass

head in aluminum, column in anticorrosion aluminum
lens in serigraphed and transparent,
tempered extra-clear glass

built in

built in

connection box with 3.28 ft cable
H05RN-F 2x0.03 Ø0.25 in

connection box with 3.28 ft cable
H05RN-F 2x0.03 Ø0.25 in

surface mounted (ground)

surface mounted (ground)

see accessories page

see accessories page

non-standard heights available
on request
Casambi-compatible version, controllable with
the Casambi app, available on request

non-standard heights available
on request
Casambi-compatible version, controllable with
the Casambi app, available on request



Cor-ten





page 476

LINEAR 2.1

3000K, 8.5W, 9.84/23.62 in

BRIGHT 5.F

3000K, 19W, 67°x11°

BRIGHT 1.6

3000K, 2W, 10°

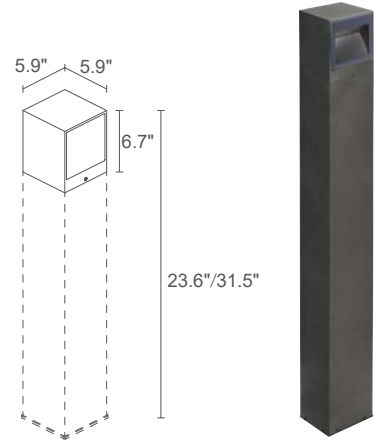
Project by / arch. Ignazio Lo Manto

Light planning by / Gianni Celleno (Elettroged)

Photo by / Moreno Maggi

Campus John Felice, Loyola University

Rome, Italy



LINEAR 4.1



7.72 lbs
 11.68 lbs h 23.62 in
 13.45 lbs h 31.50 in IP65 IK06

LED TOP

PID

POWER / MODEL CODE

8W 120VAC

CL4110 **A F** Grey

CL4110 **A H** Anthracite

CL4110 **A T** Cor-ten

16W 120VAC

CL4111 **A F** Grey

CL4111 **A H** Anthracite

CL4111 **A T** Cor-ten

LED COLOR

F - 2700K

5 - 3000K

9 - 4000K

OPTICS

asymmetrical

LUMEN OUTPUT AT SOURCE

436 lm (3000K, 8W)

1465 lm (3000K, 16W)

DELIVERED LUMEN OUTPUT

243 lm (3000K, 8W)

609 lm (3000K, 16W)

NO. AND TYPE OF LED

3 power LEDs, 1/4 ANSI BIN (8W version)

3 high-intensity power LEDs

3-step MacAdam (16W version)

50000h L90 B10 (Ta 25°C)

MATERIAL

head in aluminum, column in anticorodal aluminum

lens in serigraphed and transparent,

tempered extra-clear glass

POWER SUPPLY UNIT

built in

POWER CABLES

connection box with 3.28 ft cable

H05RN-F 2x0.03 Ø0.25 in

MOUNTING

surface mounted (ground)

ACCESSORIES

see accessories page

NOTES

non-standard heights available

on request

Casambi-compatible version, controllable with

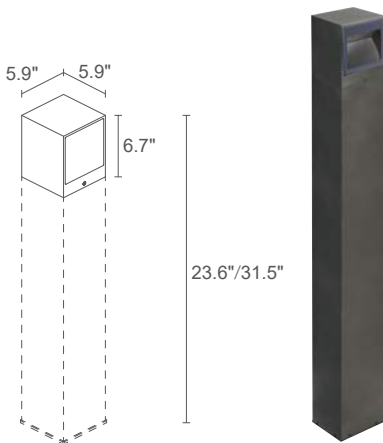
the Casambi app, available on request

v

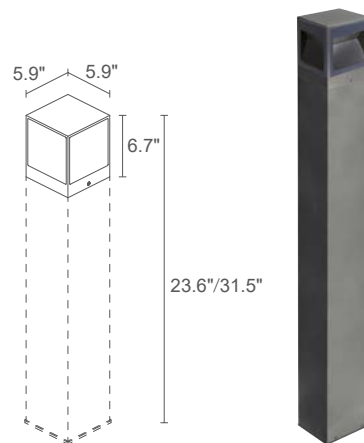
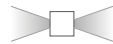
LINEAR 2.1

4000K, 4W, anthracite

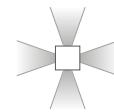




LINEAR 4.2



LINEAR 4.4



7.72 lbs
11.68 lbs h 23.62 in
13.45 lbs h 31.50 in IP65 IK06
LED TECH
PID

14W 120VAC
CL4210 ■ **A F** Grey
CL4210 ■ **A H** Anthracite
CL4210 ■ **A T** Cor-ten

32W 120VAC
CL4211 ■ **A F** Grey
CL4211 ■ **A H** Anthracite
CL4211 ■ **A T** Cor-ten

■ **F** - 2700K
5 - 3000K
9 - 4000K

asymmetrical

872 lm (3000K, 14W)
2930 lm (3000K, 32W)

486 lm (3000K, 14W)
1218 lm (3000K, 32W)

6 power LEDs, 1/4 ANSI BIN (14W version)
6 high-intensity power LEDs
3-step MacAdam (32W version)
50000h L90 B10 (Ta 25°C)

head in aluminum, column in anticorodal aluminum
lens in serigraphed and transparent,
tempered extra-clear glass

built in

connection box with 3.28 ft cable
H05RN-F 2x0.03 Ø0.25 in

surface mounted (ground)

see accessories page

non-standard heights available
on request
Casambi-compatible version, controllable with
the Casambi app, available on request

CB
7.72 lbs
11.68 lbs h 23.62 in
13.45 lbs h 31.50 in IP65 IK06
LED TECH
PID

28W 120VAC
CL4410 ■ **A F** Grey
CL4410 ■ **A H** Anthracite
CL4410 ■ **A T** Cor-ten

■ **F** - 2700K
5 - 3000K
9 - 4000K

asymmetrical

1744 lm (3000K)

972 lm (3000K)

12 power LEDs
1/4 ANSI BIN, 50000h L90 B10 (Ta 25°C)

head in aluminum, column in anticorodal aluminum
lens in serigraphed and transparent,
tempered extra-clear glass

built in

connection box with 3.28 ft cable
H05RN-F 2x0.03 Ø0.25 in

surface mounted (ground)

see accessories page

non-standard heights available
on request
Casambi-compatible version, controllable with
the Casambi app, available on request

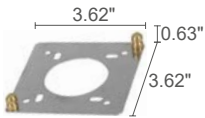






ACCESSORIES

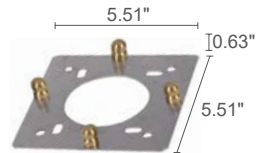
ACCESSORIES FOR INSTALLATION



WT000000

Plate for ground installation

(Linear 2.1 / 2.2 / 2.3 / 2.4)



WT000001

Plate for ground installation

(Linear 4.1 / 4.2 / 4.4)



h 9.84 in including head

WT20250F - Grey
WT20250H - Anthracite
WT20250T - Cor-ten

h 23.62 in including head

WT20600F - Grey
WT20600H - Anthracite
WT20600T - Cor-ten

h 31.50 in including head

WT20800F - Grey
WT20800H - Anthracite
WT20800T - Cor-ten

Column

(Linear 2.1 / 2.2 / 2.3 / 2.4)



h 23.62 in including head

WT40600F - Grey
WT40600H - Anthracite
WT40600T - Cor-ten

h 31.50 in including head

WT40800F - Grey
WT40800H - Anthracite
WT40800T - Cor-ten

Column

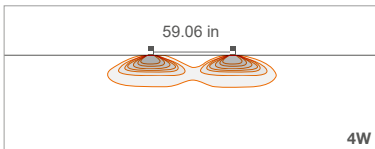
(Linear 4.1 / 4.2 / 4.4)

RAL finish available on request

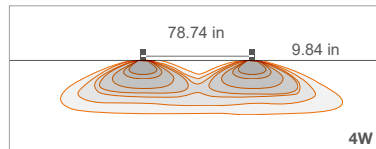
**POSITIONING
DIAGRAMS**

LINEAR 2.1

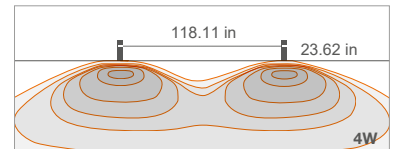
A - Asymmetrical



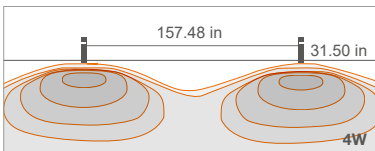
A - Asymmetrical



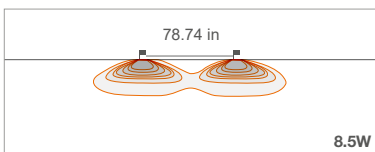
A - Asymmetrical



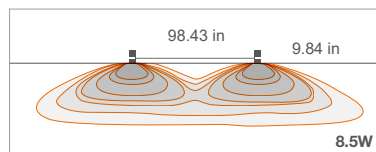
A - Asymmetrical



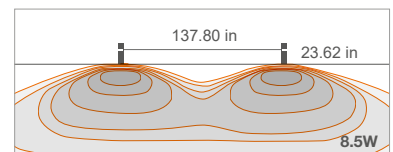
A - Asymmetrical



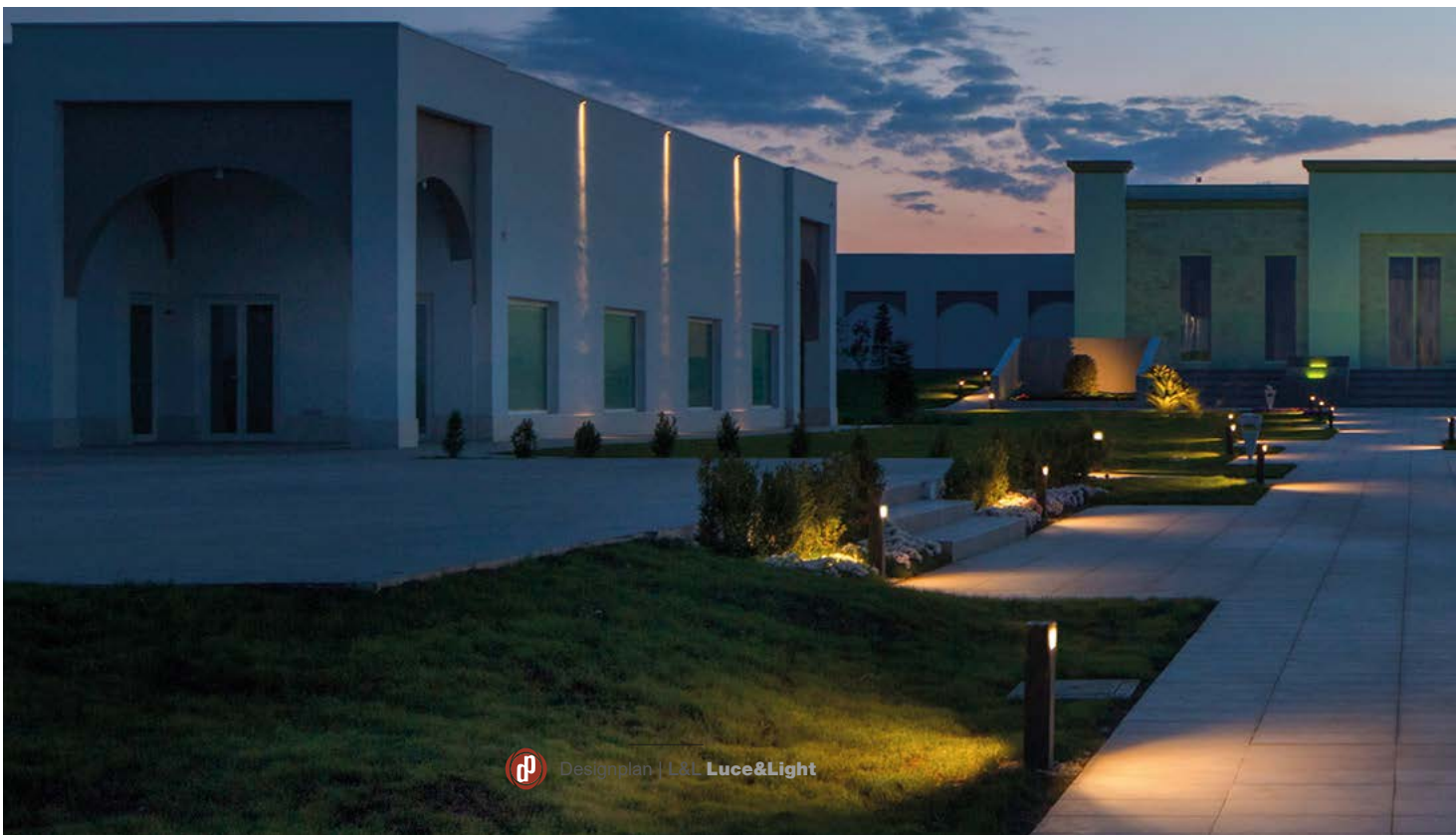
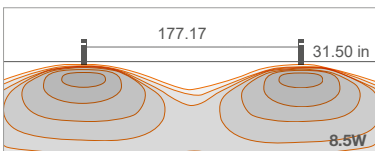
A - Asymmetrical



A - Asymmetrical



A - Asymmetrical

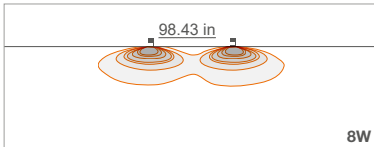




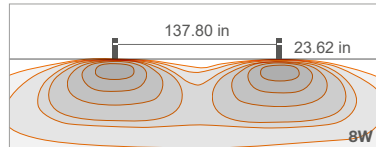
POSITIONING DIAGRAMS

LINEAR 4.1

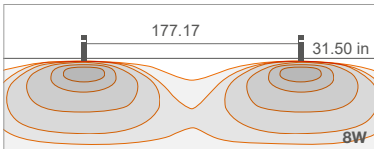
A - Asymmetrical



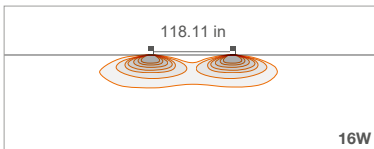
A - Asymmetrical



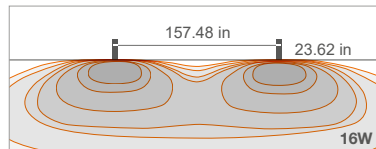
A - Asymmetrical



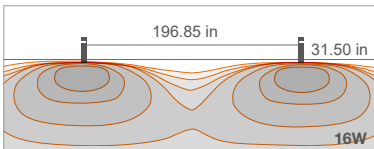
A - Asymmetrical



A - Asymmetrical



A - Asymmetrical



∨

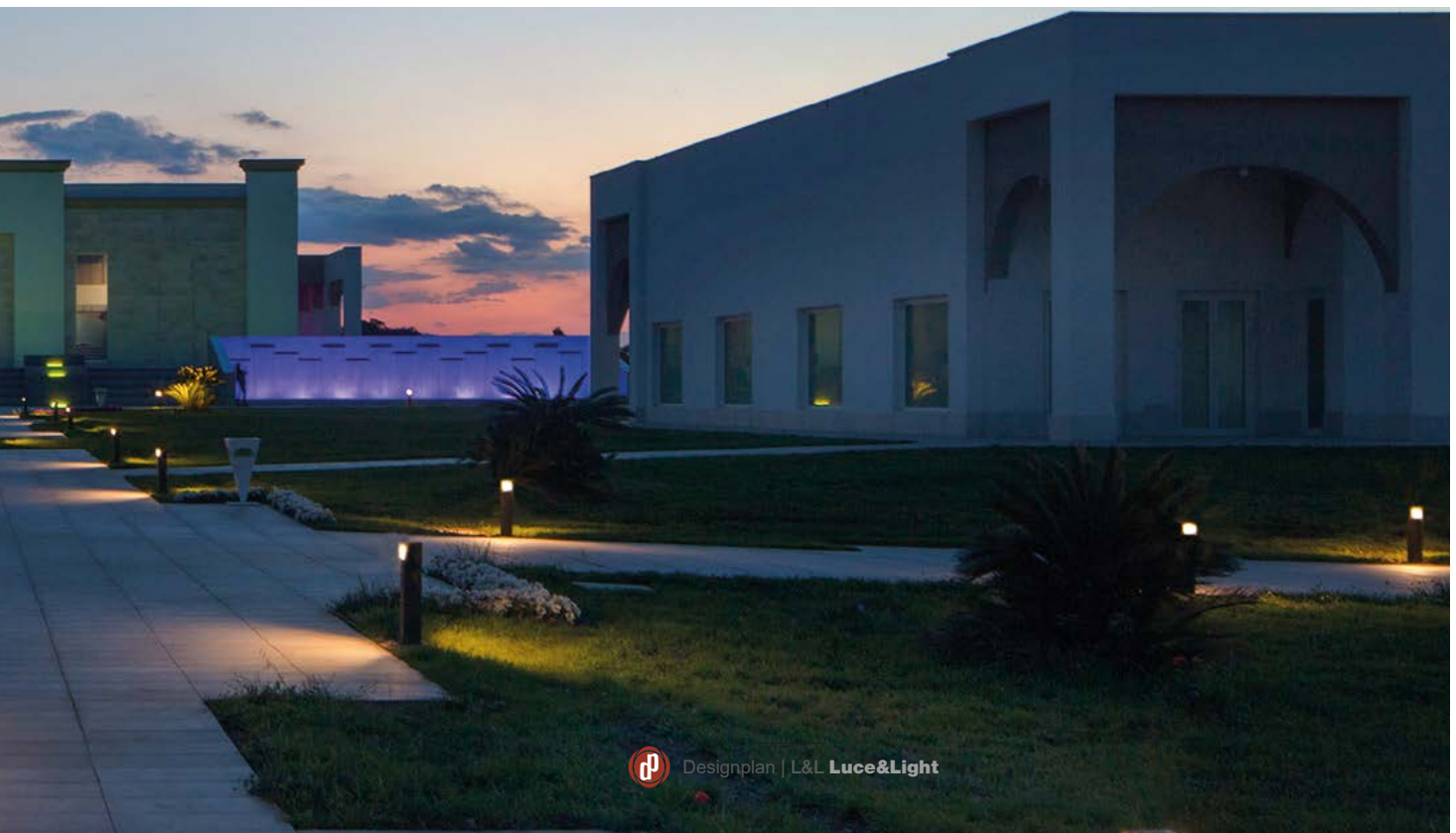
LINEAR 2.2

3000K, 15W, anthracite, height 23.62 in

SPOT 1.6

3000K, 2W, 10°

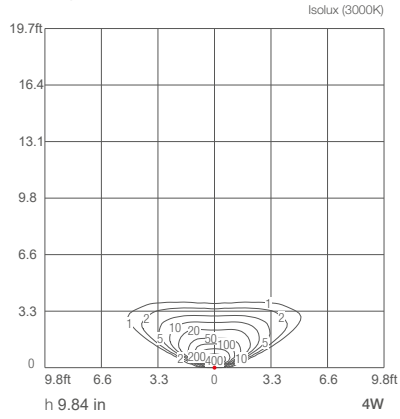
Project by / Archingegno
 Light planning by / arch. Mariangela Alicino,
 ing. Alfonso Di Liddo
 Relais Sant'Agostino, Andria, Italy



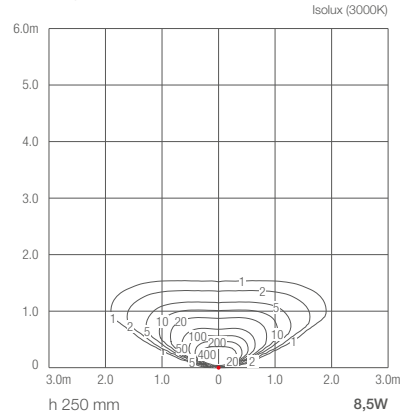
OUTDOOR BOLLARDS

LINEAR 2.1

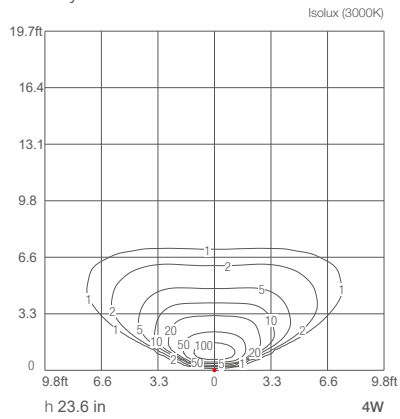
A - Asymmetrical



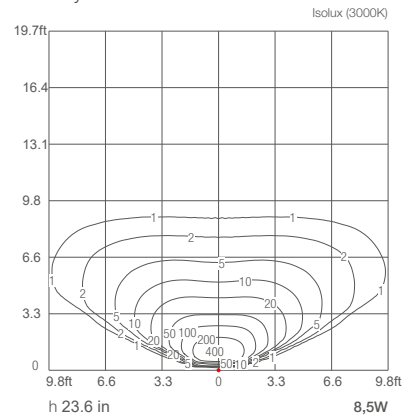
A - Asymmetrical



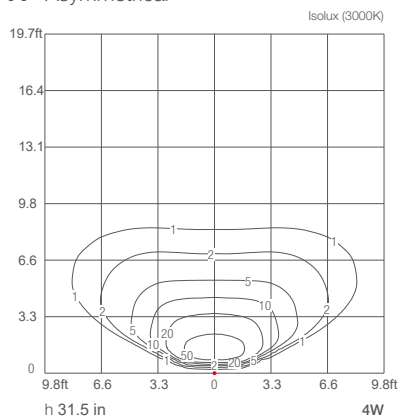
A - Asymmetrical



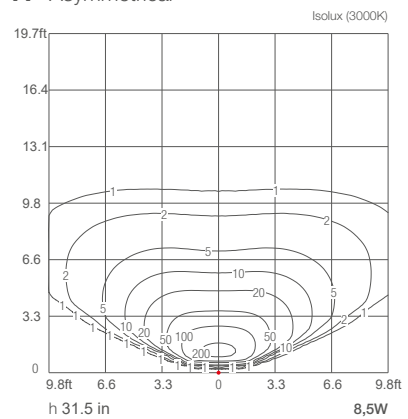
A - Asymmetrical



A - Asymmetrical

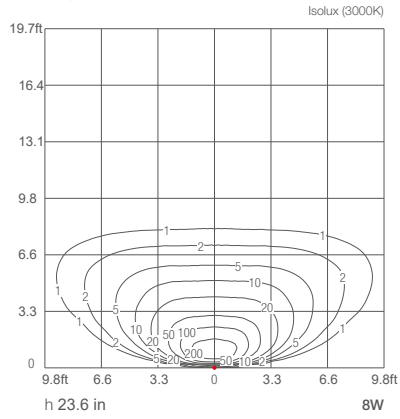


A - Asymmetrical

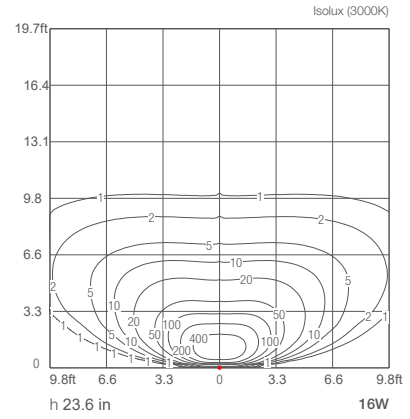


LINEAR 4.1

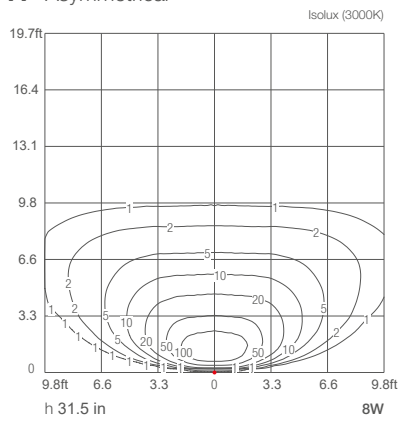
A - Asymmetrical



A - Asymmetrical



A - Asymmetrical



A - Asymmetrical

