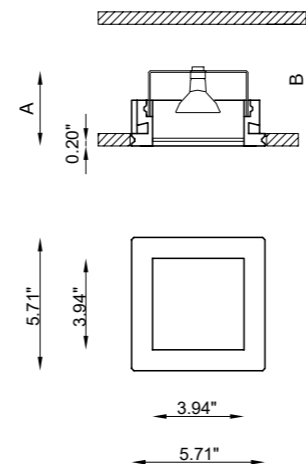




LISZT



In Liszt, a totally disappearing indoor recessed luminaire, installable on plasterboard or brick walls and ceilings, Coral®'s strength merges with the extra-white 0.20" recessed satin glass delicacy of the covering. Performances and distribution for a unique light, a perfect square that lends an improved style to surfaces.



TECHNICAL FEATURES

Code	BU4426.Z.00.US
Type	Downlight 90° 
Material	00: Coral®
Weight	1.98 lbs
Mounting	Ceiling recessed
IP rating	IP40
Control gear	Constant current electronic driver (not included)
Dimensions	A: 3.94"; B: 5.12"
Cut out for plasterboard	6.10" x 6.10"
Lamp type	LED 500 mA 
Lamp wattage	1 x 10W
Luminous efficacy	105 lm/W - 3000K
Light distribution	Wide beam 40°
Light color	White 3000K
Light hole	3.94" x 3.94"
CRI	>90

designplan® 

79 Trenton Avenue
Frenchtown, NJ 08825

www.designplan.com

Tel: (908) 996-7710
Fax: (908) 996-7042

* The absorption capacity per ft³ calculated by the American organization TCNA (Tile Council of North America) is measured for an average room of 8.86' in height and therefore expressed in ft²