

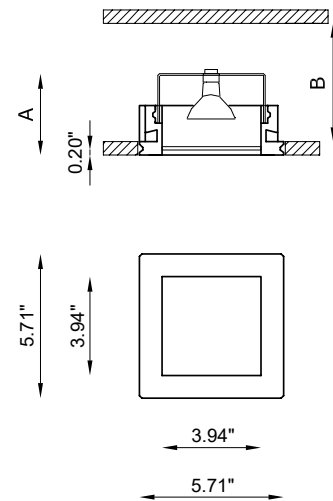
Liszt is a totally disappearing indoor recessed downlight installable on plasterboard, brick walls or ceilings. The body of this fixture is made of Coral® with extra white frosted glass.



TECHNICAL DATA

| | |
|---------------------------|---|
| Wattage / Input | 10W (500mA) |
| Power Supply | Remote, not included. See page 2. |
| Construction | Body: Coral® Lens: Extra White Satin Glass |
| CCT | 3000K (2700K, 4000K upon request) |
| CRI | >90 |
| Delivered Lumens | 1050 lm (3000K) |
| Efficacy | 105 lm/W (3000K) |
| Optics | 40° |
| Finishes | — |
| Cut-Out Dimensions | 6.10" x 6.10" |
| Fixture Dimensions | 5.71" l x 5.71" w |
| Aperture | 3.94" x 3.94" |
| Fixture Weight | 1.98 lbs |
| LED Source | 1 COB Professional LED |
| IP Rating | IP40 |

Ceiling Cut-Out: 6.10" x 6.10"
Fixture Dimensions: 5.71" l x 5.71" w



ORDERING INFORMATION

Example: BU4426.Z.00.US. Power Supplies ordered separately.

BU4426.Z.00.US

Model No.
BU4426.Z.00.US

Job Name/Date:

Fixture Type Designation:

SUGGESTED POWER SUPPLIES

500mA

| Part Number | Description | Input/Output | Fixtures |
|-----------------------------|-----------------------|------------------------------------|----------|
| PPLT00187 | 0-10V Dimming to 10% | 120-277VAC to 500mA, 10W, Class 2 | 1-1 |
| PPLT00497 | Phase Dim (120V Only) | 120VAC to 500mA, 12W, Class 2 | 1-1 |
| PPLT00465-P | 0-10V Dimming to 1.0% | 120-277VAC to 500mA 20W, Class 2 | 1-2 |
| PPLT00467-P | 0-10V Dimming to 1.0% | 120-277VAC to 500mA, 50W, Class 2 | 1-2 |
| PPLT00538-P | 0-10V Dimming to 0.1% | 120-277VAC to 500mA, 100W, Class 2 | 1-8 |

Suggested Lutron Compatible Drivers

| Part Number | Option | Lutron SKU | Dim Range | Description | Input/Output | Fixtures |
|---------------------------|----------------|------------|-----------|--|------------------|----------|
| PPLT00259 | L3DAE / L3DA3W | L3DA | 100%-1% | Hi-Lume™ 1% EcoSystem™ or 1% 3-Wire LED Driver | 120-277VAC, 10W | 1-1 |
| PPLT00195 | L3DAE / L3DA3W | L3DA | 100%-1% | Hi-Lume™ 1% EcoSystem™ or 1% 3-Wire LED Driver | 120-277VAC, 19W | 1-1 |
| PPLT00180 | L3DAE / L3DA3W | L3DA | 100%-1% | Hi-Lume™ 1% EcoSystem™ or 1% 3-Wire LED Driver | 120-277VAC , 27W | 2-2 |

For other power supply options consult factory.

ACCESSORIES

Installation



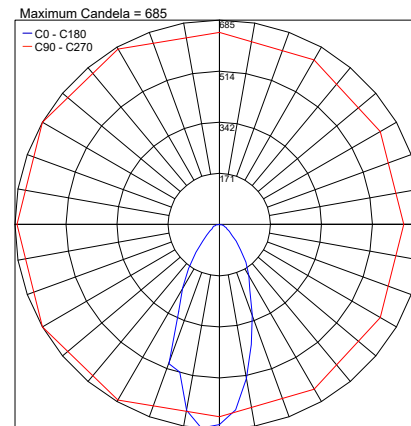
BACK BOX

BR4426-LT - Back box to be used for IC rating

BR4426-LT-C - Back box to be used for Chicago Plenum

BR4426-LT-PC - Back box to be used for Concrete Pour

PHOTOMETRIC DATA



Job Name/Date:

Fixture Type Designation: