

M1 48V

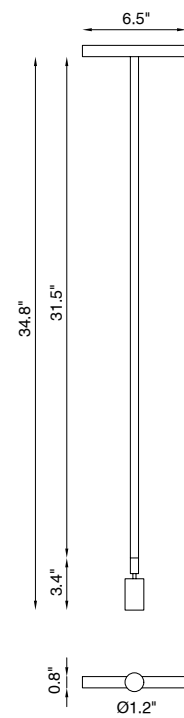
M1 48V is a projector for the 48V track system with completely directional 360° linkage, making it possible to direct light in a precise way towards individual details of the space. With a minimal design, the M1 48V spotlight has an LED (COB) CRI >90, 3000K (2700K/4000K light source on request) fed in direct current with incorporated converter located inside the track adapter.



TECHNICAL DATA

Wattage / Input	6W
Track Power Supply	Remote 48VDC power supply for track, not included. See 48V Track datasheet
Track Head	Integral 48V LED Converter in Track Adapter
Dimming	Non-Dim, 0-10V Dim, Dali
Construction	Body: Aluminum
CCT	3000K (2700K, 4000K on request)
CRI	>90
Delivered Lumens	520 lm (3000K)
Efficacy	86.7 lm/W (3000K)
Optics	20° standard, 55° on request
Finishes	White, Black
Fixture Dimensions	Ø1.2" x 3.4" x 34.8"
Fixture Weight	1.65 lbs
IP Rating	IP40

Fixture Dimensions



ORDERING INFORMATION

Example: **BUT048L00004W15530ND0.US**. Track ordered separately.

BUT048L00004					0	US
Model No.	Finish	Optic	CCT	Dimmability		
BUT048L00004	W1 - White B1 - Black	22 - 22° 55 - 55°	27 - 2700K 30 - 3000K 40 - 4000K	ND - Non Dimmable 11 - 0-10V Dimming DA - DALI	0	US

Job Name/Date:

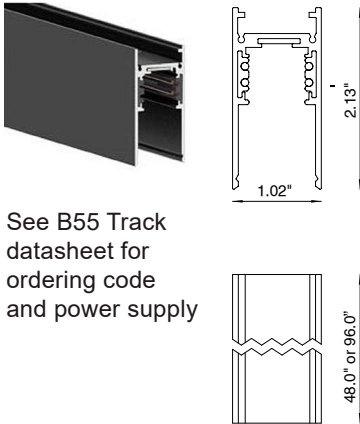
Fixture Type Designation:

SUGGESTED POWER SUPPLIES

48VDC - See Track Datasheets

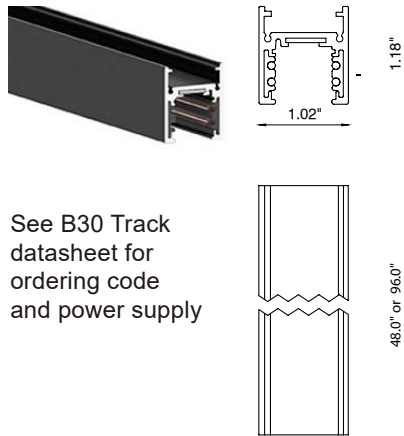
48V TRACKS

B55



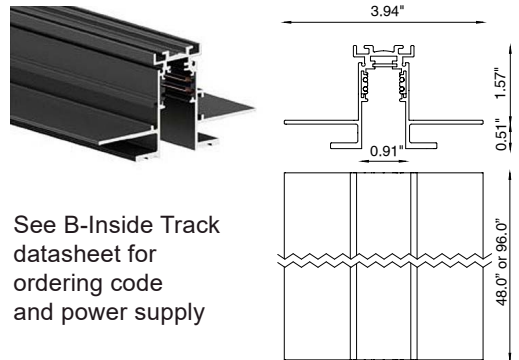
See B55 Track datasheet for ordering code and power supply

B30



See B30 Track datasheet for ordering code and power supply

B-INSIDE

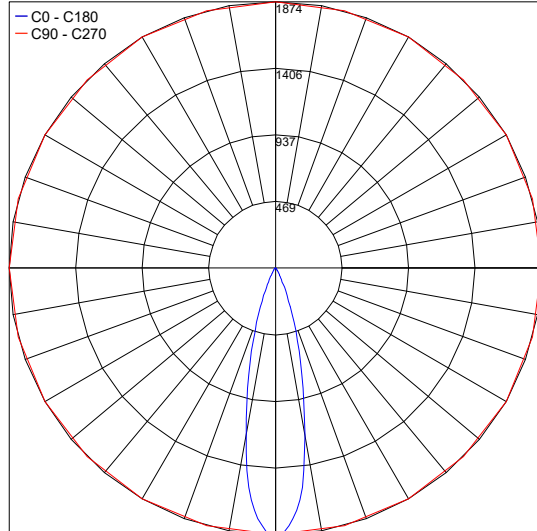


See B-Inside Track datasheet for ordering code and power supply

PHOTOMETRIC DATA

Note: All photometry is 3000K

Maximum Candela = 1874.3



PHOTOMETRIC FILENAME : M1 48V BUT048L00004XX2230 22°.IES

Job Name/Date:

Fixture Type Designation: