

MIN / MAX - QUADRATO IP67

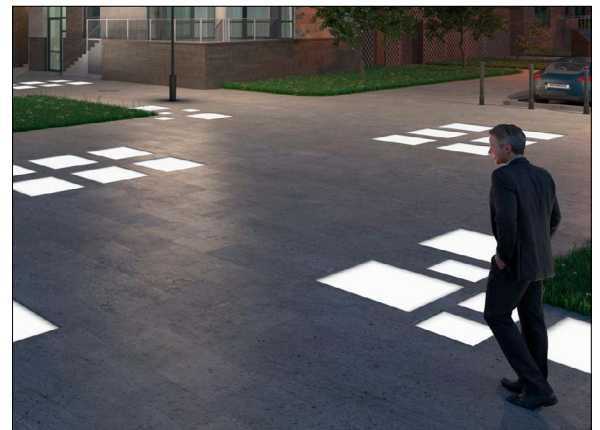
MIN / MAX Quadrato is a square, IP67-rated LED luminaire for flush installation on floors in indoor or outdoor areas. It is available in 5 different sizes with antislip or sandblasted glass. Driveover rated up to 11,000 lbs. Pressure switch on request. Can be ordered in IP68 stainless steel version suitable for fountains - see Fountain Lighting section.



Fixture Dimensions - See page 2

TECHNICAL DATA

Wattage / Input	15W, 30W, 45W, 60W, 76W
Power Supply	Remote 24VDC, not included. See page 2.
Construction	Body: Stainless Steel AISI 304 Lens: Extra Clear Tempered Glass Cable Length: 1.64'
CCT	2700K, 3000K, 4000K (RGBW or Tunable White on request)
BUG Rating	B1-U0-G0
Delivered Lumens	800-4000 lm (3000K)
Efficacy	53 lm/W (3000K)
Optics	Diffuse
Finishes	Antislip or Sandblasted Glass
Fixture Dimensions	9.8" Square x 1.6" h (Q1) 19.7" Square x 1.6" h (Q2) 29.5" Square x 1.6" h (Q3) 39.4" Square x 1.6" h (Q4) 49.2" Square x 1.6" h (Q5)
Color Consistency	3-Step MacAdam
IP Rating	IP67
Impact Resistance	IK10
Driveover Capacity	Up to 11,000 lbs



ORDERING INFORMATION

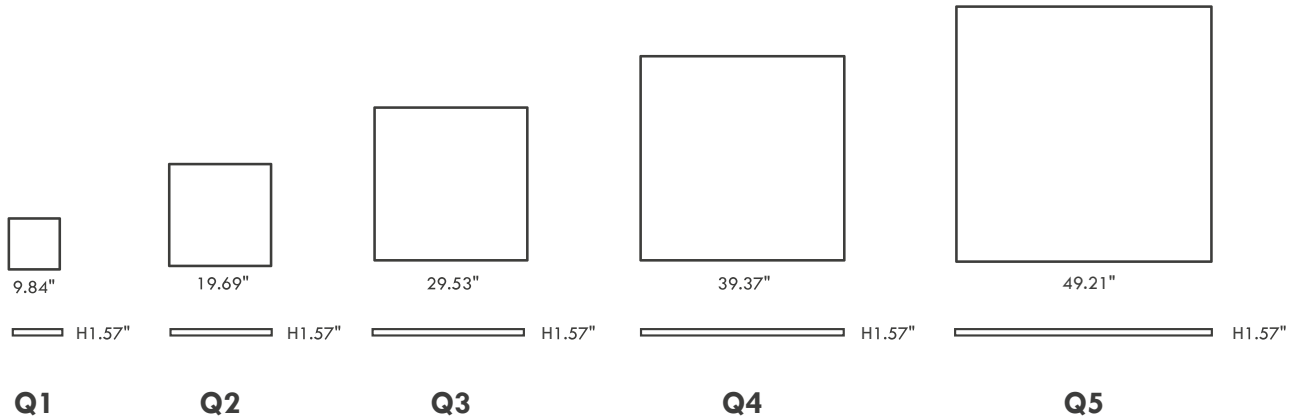
Example: LM07.103919.US.A1.DI.BC. Accessories / Power Supplies ordered separately.

<input type="text"/>	<input type="text"/>	<input type="text" value="DI"/>	<input type="text"/>
Model No.	Finish	Optic	CCT
LM07.103862.US (Q1 - 15W)	A1 - Antislip Glass	DI - Diffuse	BC - 2700K
LM07.103863.US (Q2 - 30W)	61 - Satin / Sandblasted Glass		BP - 3000K
LM07.103864.US (Q3 - 45W)			BF - 4000K
LM07.103919.US (Q4 - 60W)			
LM07.103920.US (Q5 - 76W)			

Job Name/Date:

Fixture Type Designation:

FIXTURE DIMENSIONS



SUGGESTED POWER SUPPLIES

24VDC

Part Number	Description	Input/Output	# of Fixtures				
			Q1	Q2	Q3	Q4	Q5
PPLT00543	0-10V Dimming to 15% (-40°C / -40°F cold weather start)	120-277VAC to 24VDC, 100W, Class 2	1-5	1-2	1-1	1-1	1-1
PPLT00284	Non-Dim	120-277VAC to 24VDC, 100W, Class 2	1-5	1-2	1-1	1-1	1-1

DRIVER IN NEMA 4X ENCLOSURE

Remote 24VDC - ELV / TRIAC / 0-10V



PPLT00715

Part Number	Description	Input/Output	# of Fixtures				
			Q1	Q2	Q3	Q4	Q5
PPLT00715	ELV / TRIAC / 0-10V Dimming to 0.1%	120-277VAC to 24VDC, 96W, Class 2, WET/DAMP	1-5	1-2	1-1	1-1	1-1

For other power supply options consult factory.

Job Name/Date:

Fixture Type Designation:

ACCESSORIES - Installation



H 3.94"



- LM20.103955-E (Q1 - 10.2" x 10.2" x 3.9" h)
 - LM20.103956-E (Q2 - 20.0" x 20.0" x 3.9" h)
 - LM20.103957-E (Q3 - 29.8" x 29.8" x 3.9" h)
 - LM20.103958-E (Q4 - 39.7" x 39.7" x 3.9" h)
 - LM20.103959-E (Q5 - 47.6" x 47.6" x 3.9" h)
- IP67 Housing - Stainless Steel AISI 304

LM20.210178
 Extraction Tool Kit (Q1)

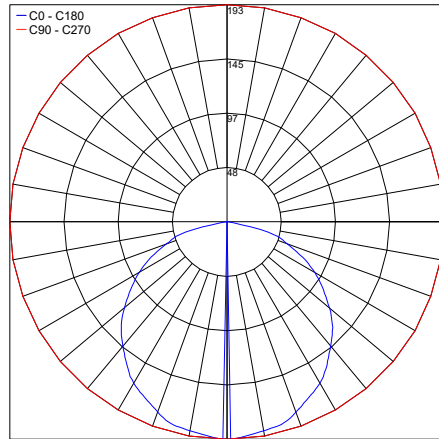
LM20.210179
 Extraction Tool Kit (Q2, Q3)

LM20.210180
 Extraction Tool Kit (Q4, Q5)

PHOTOMETRIC DATA

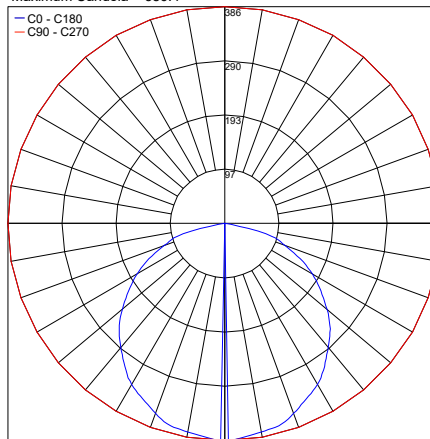
Q1

Maximum Candela = 193.2



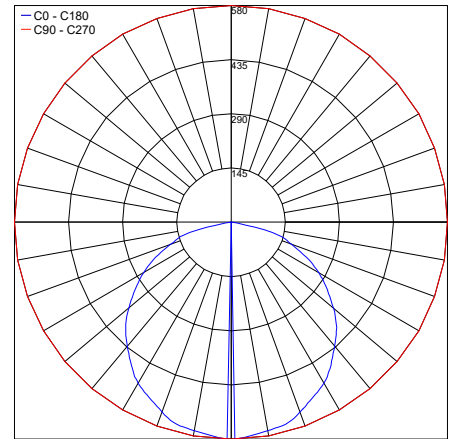
Q2

Maximum Candela = 386.4



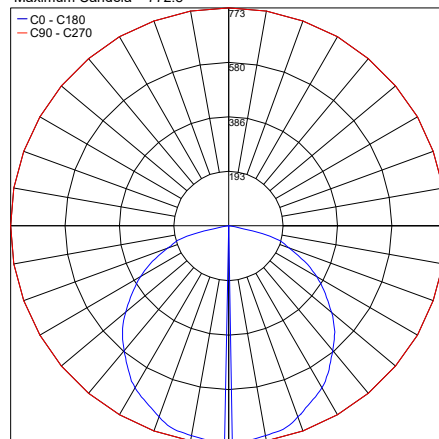
Q3

Maximum Candela = 579.6



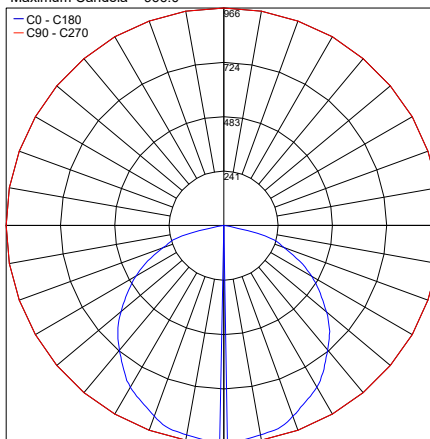
Q4

Maximum Candela = 772.8



Q5

Maximum Candela = 966.0



Job Name/Date:

Fixture Type Designation: