

MIN / MAX - QUADRATO IP67

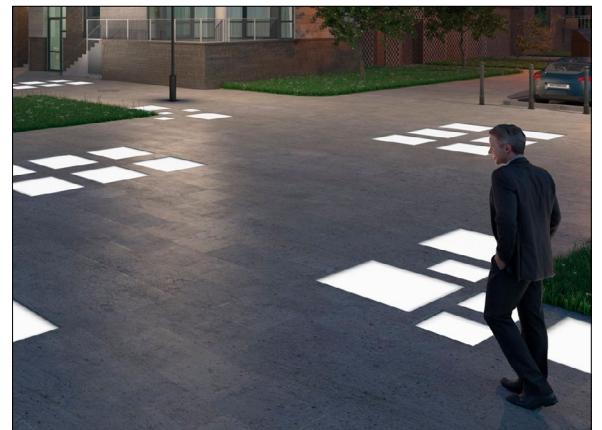
MIN / MAX Quadrato is a square, IP67-rated LED luminaire for flush installation on floors in indoor or outdoor areas. It is available in 5 different sizes with antislip or sandblasted glass. Driveover rated up to 11,000 lbs. Pressure switch on request. Can be ordered in IP68 stainless steel version suitable for fountains - see Fountain Lighting section.



Fixture Dimensions - See page 2

TECHNICAL DATA

Wattage / Input	15W, 30W, 45W, 60W, 76W
Power Supply	Remote, not included. See page 2.
Construction	Body: Anticorodal Aluminum Protected by 25 Micron Lens: Extra Clear Tempered Glass Cable Length: 1.64'
CCT	2700K, 3000K, 4000K (RGBW or Tunable White on request)
BUG Rating	B1-U0-G0
Delivered Lumens	800-4000 lm (3000K)
Efficacy	53 lm/W (3000K)
Optics	Diffuse
Finishes	Antislip or Sandblasted Glass
Fixture Dimensions	9.8" Square x 1.6" h (Q1) 19.7" Square x 1.6" h (Q2) 29.5" Square x 1.6" h (Q3) 39.4" Square x 1.6" h (Q4) 49.2" Square x 1.6" h (Q5)
Color Consistency	3-Step MacAdam
IP Rating	IP67
Impact Resistance	IK10
Driveover Capacity	Up to 11,000 lbs



ORDERING INFORMATION

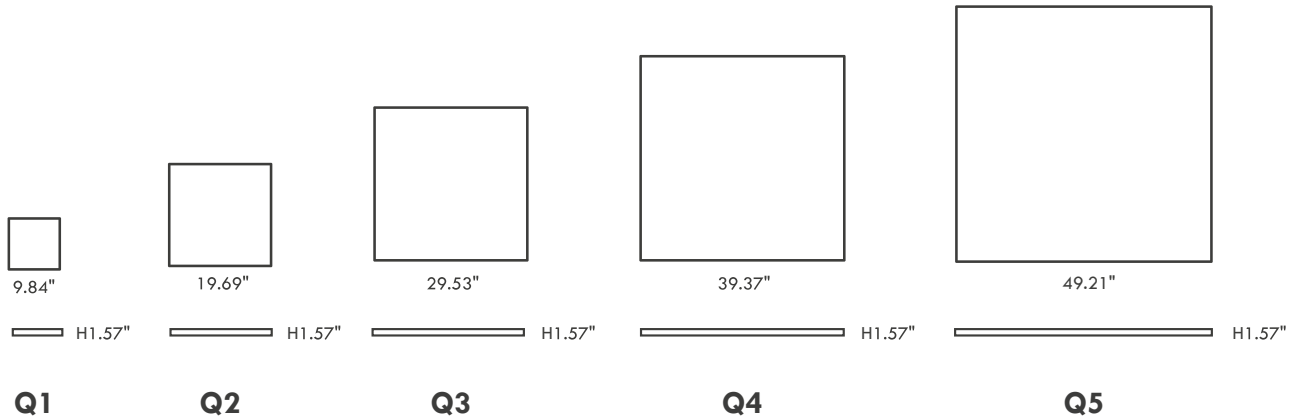
Example: LM07.103837.US.A1.DI.BC. Accessories / Power Supplies ordered separately.

<input type="text"/>	<input type="text"/>	<input type="text" value="DI"/>	<input type="text"/>
Model No.	Finish	Optic	CCT
LM07.103835.US (Q1 - 15W)	A1 - Antislip Glass	DI - Diffuse	BC - 2700K
LM07.103836.US (Q2 - 30W)	60 - Sandblasted Glass		BP - 3000K
LM07.103837.US (Q3 - 45W)			BF - 4000K
LM07.103892.US (Q4 - 60W)			
LM07.103893.US (Q5 - 76W)			

Job Name/Date:

Fixture Type Designation:

FIXTURE DIMENSIONS



SUGGESTED POWER SUPPLIES

24VDC

Part Number	Description	Input/Output	# of Fixtures				
			Q1	Q2	Q3	Q4	Q5
PPLT00543	0-10V Dimming to 15% (-40°C / -40°F cold weather start)	120-277VAC to 24VDC, 100W, Class 2	1-5	1-2	1-1	1-1	1-1

For other power supply options consult factory.

ACCESSORIES - Installation



LM20.103955 (Q1 - 10.2" x 10.2" x 3.9" h)
LM20.103956 (Q2 - 20.0" x 20.0" x 3.9" h)
LM20.103957 (Q3 - 29.8" x 29.8" x 3.9" h)
LM20.103958 (Q4 - 39.7" x 39.7" x 3.9" h)
LM20.103959 (Q5 - 47.6" x 47.6" x 3.9" h)
 IP67 Housing

LM20.104763
 Light Source Extraction Tool Kit (Q1, Q2)

LM20.104811
 Light Source Extraction Tool Kit (Q3, Q4, Q5)

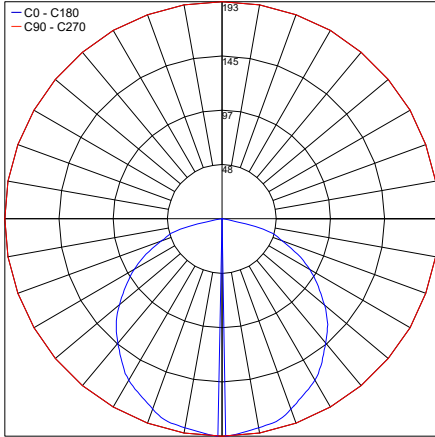
Job Name/Date:

Fixture Type Designation:

PHOTOMETRIC DATA

Q1

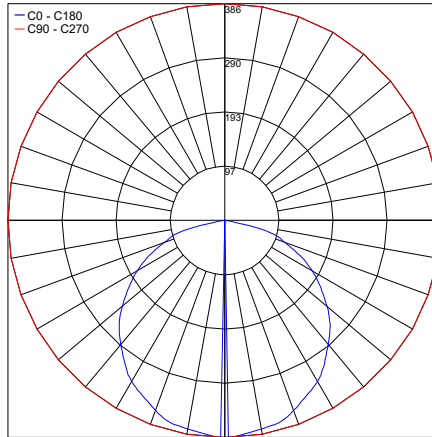
Maximum Candela = 193.2



PHOTOMETRIC FILENAME : Q1 LM07.103862.XX.DI.XX 9.8IN SQUARE IP68.IES

Q2

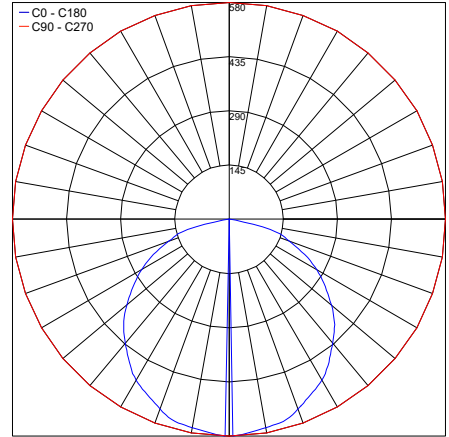
Maximum Candela = 386.4



PHOTOMETRIC FILENAME : Q2 LM07.103863.XX.DI.XX 19.7IN SQUARE IP68.IES

Q3

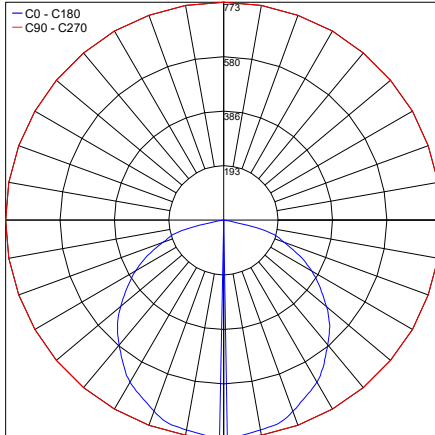
Maximum Candela = 579.6



PHOTOMETRIC FILENAME : Q3 LM07.103864.XX.DI.XX 29.5IN SQUARE IP68.IES

Q4

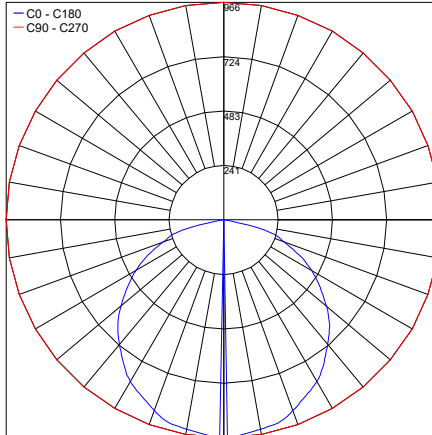
Maximum Candela = 772.8



PHOTOMETRIC FILENAME : Q4 LM07.103919.XX.DI.XX 38.4IN SQUARE IP68.IES

Q5

Maximum Candela = 966.0



PHOTOMETRIC FILENAME : Q5 LM07.103920.60.DI.XX 49.2IN SQUARE IP68.IES

Job Name/Date:

Fixture Type Designation: