

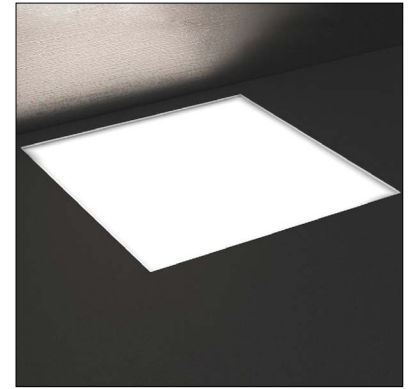
MIN / MAX - QUADRATO IP68

SUITABLE FOR USE IN FOUNTAINS or POOLS

MIN / MAX Quadrato is a square, IP68-rated LED luminaire for flush installation in fountains or swimming pools, both indoors or outdoors - submersible to 1 m (3.28'). It is available in 5 different sizes with sandblasted or antislip glass. Pressure switch on request. Can be ordered in an IP67 version for in-grade non-fountain use.



UL 676



Fixture Dimensions - See page 2

TECHNICAL DATA

Wattage / Input	15W, 30W, 45W, 60W, 76W
Power Supply	Remote Fountain/Pool Approved 24VDC Constant Voltage. Consult Factory.
Construction	Body: Stainless Steel AISI 316 Lens: Extra Clear Tempered Glass Cable Length: 1.64'
CCT	2700K, 3000K, 4000K (RGBW or Tunable White on request)
BUG Rating	B1-U0-G0
Delivered Lumens	800-4000 lm (3000K)
Efficacy	53 lm/W (3000K)
Optics	Diffuse
Finishes	Sandblasted or Antislip Glass
Fixture Dimensions	9.8" Square x 1.6" h (Q1) 19.7" Square x 1.6" h (Q2) 29.5" Square x 1.6" h (Q3) 39.4" Square x 1.6" h (Q4) 49.2" Square x 1.6" h (Q5)
Color Consistency	3-Step MacAdam
IP Rating	IP68 - Submersible to 5 m (16.4')
Impact Resistance	IK10
Driveover Capacity	Up to 11,000 lbs



ORDERING INFORMATION

Example: LM07.103864.US.61.DI.BC.SS. Accessories / Power Supplies ordered separately.

		DI		SS
Model No.	Finish	Optic	CCT	Material
LM07.103862.US (Q1 - 15W)	61 - Satin / Sandblasted Glass	DI - Diffuse	BC - 2700K	SS - Stainless Steel
LM07.103863.US (Q2 - 30W)	A1 - Antislip Glass		BP - 3000K	
LM07.103864.US (Q3 - 45W)			BF - 4000K	
LM07.103919.US (Q4 - 60W)				
LM07.103920.US (Q5 - 76W)				

Job Name/Date:

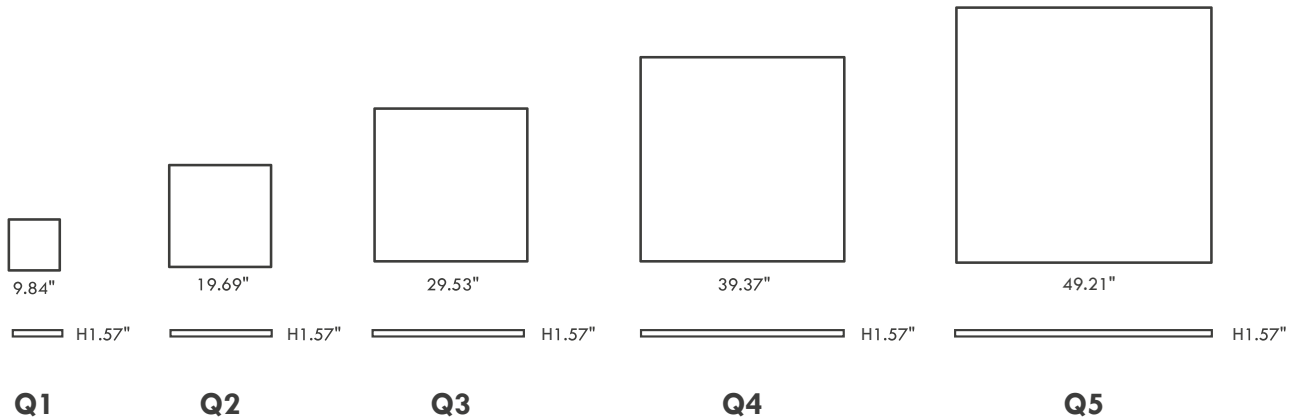
Fixture Type Designation:

MIN / MAX - QUADRATO IP68

SUITABLE FOR USE IN FOUNTAINS or POOLS

datasheet

FIXTURE DIMENSIONS



SUGGESTED POWER SUPPLIES

24VDC - FOR USE WITH FOUNTAIN / WATER FEATURES

Part Number	Description	Input/Output	# of Fixtures				
			Q1	Q2	Q3	Q4	Q5
FPV-100110024	ELV/TRIAC & 0-10V Dimming (100 to 0%)	120-277VAC to 24VDC, 96W, Class 2, IP66, NEMA 4X	1-5	1-2	1-1	1-1	1-1
FPV-100000024	Non-Dim	120-277VAC to 24VDC, 100W, Class 2, IP66, NEMA 4X	1-5	1-2	1-1	1-1	1-1

For other power supply options consult factory.

ACCESSORIES - Installation



LM20.104000-E (Q1 - 10.2" x 10.2" x 3.9" h)
LM20.104001-E (Q2 - 20.0" x 20.0" x 3.9" h)
LM20.104002-E (Q3 - 29.8" x 29.8" x 3.9" h)
LM20.104003-E (Q4 - 39.7" x 39.7" x 3.9" h)
LM20.104004-E (Q5 - 47.6" x 47.6" x 3.9" h)
IP68 Housing - Stainless Steel AISI 316



LM20.210178
Extraction Tool Kit (Q1)
LM20.210179
Extraction Tool Kit (Q2, Q3)
LM20.210180
Extraction Tool Kit (Q4, Q5)

Job Name/Date:

Fixture Type Designation:

MIN / MAX - QUADRATO IP68

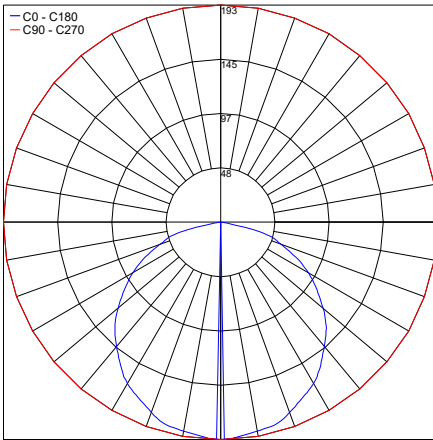
SUITABLE FOR USE IN FOUNTAINS or POOLS

PHOTOMETRIC DATA

Q1

Maximum Candela = 193.2

— C0 - C180
— C90 - C270

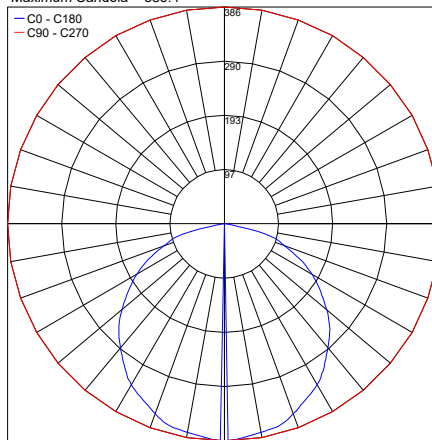


PHOTOMETRIC FILENAME : Q1 LM07.103862.XX.DI.XX 9.8IN SQUARE IP68.IES

Q2

Maximum Candela = 386.4

— C0 - C180
— C90 - C270

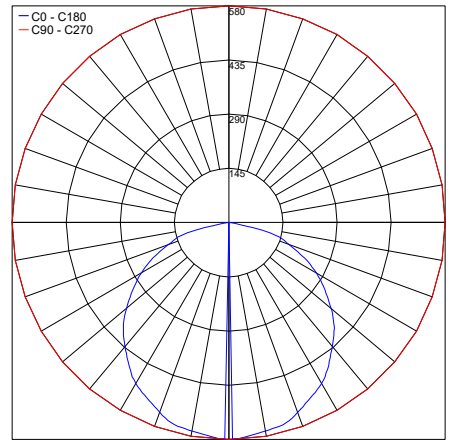


PHOTOMETRIC FILENAME : Q2 LM07.103863.XX.DI.XX 19.7IN SQUARE IP68.IES

Q3

Maximum Candela = 579.6

— C0 - C180
— C90 - C270

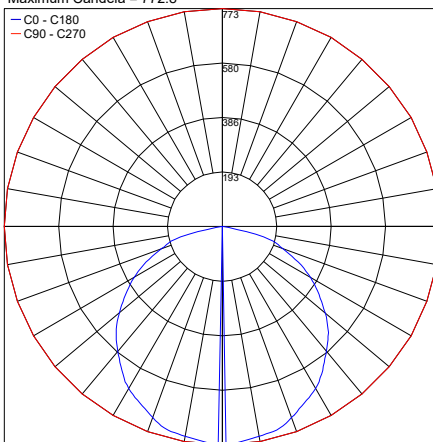


PHOTOMETRIC FILENAME : Q3 LM07.103864.XX.DI.XX 29.5IN SQUARE IP68.IES

Q4

Maximum Candela = 772.8

— C0 - C180
— C90 - C270

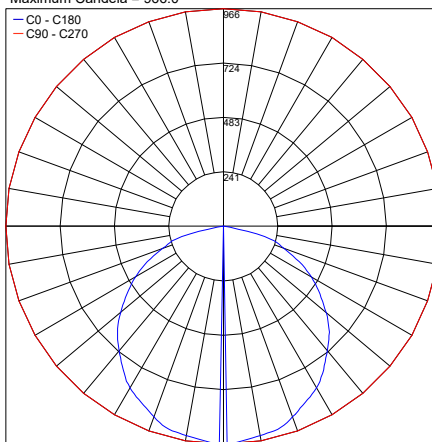


PHOTOMETRIC FILENAME : Q4 LM07.103919.XX.DI.XX 39.4IN SQUARE IP68.IES

Q5

Maximum Candela = 966.0

— C0 - C180
— C90 - C270



PHOTOMETRIC FILENAME : Q5 LM07.103920.60.DI.XX 49.2IN SQUARE IP68.IES

Job Name/Date:

Fixture Type Designation: