

MIN / MAX - QUADRATO IP68



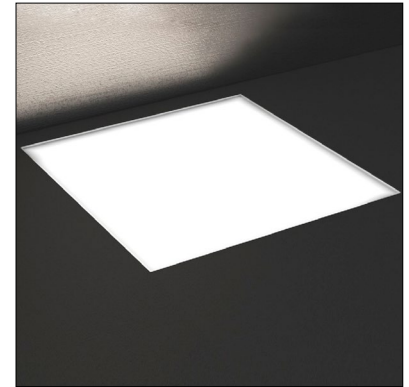
datasheet

SUITABLE FOR USE IN FOUNTAINS or POOLS

MIN / MAX Quadrato is a square, IP68-rated LED luminaire for flush installation in fountains or swimming pools, both indoors or outdoors - submersible to 1 m (3.28'). It is available in 5 different sizes with sandblasted or antislip glass. Pressure switch on request. Can be ordered in aluminum IP67 version for in-grade non-fountain use.



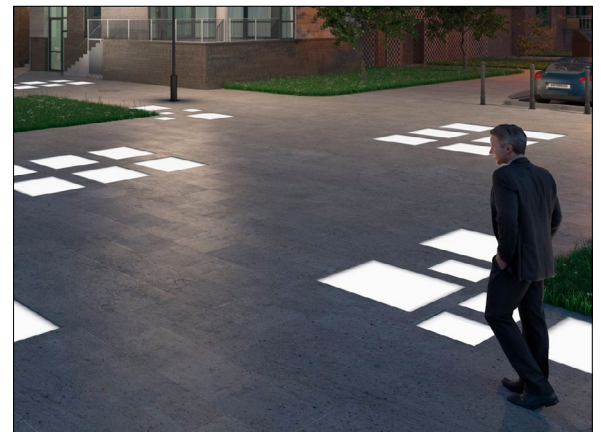
UL 676



Fixture Dimensions - See page 2

TECHNICAL DATA

Wattage / Input	15W, 30W, 45W, 60W, 76W (24VDC)
Power Supply	Remote, not included. See page 2.
Construction	Body: Stainless Steel Lens: Extra Clear Tempered Glass Cable Length: 1.64'
CCT	2700K, 3000K, 4000K (RGBW or Tunable White on request)
BUG Rating	B1-U0-G0
Delivered Lumens	800-4000 lm (3000K)
Efficacy	53 lm/W (3000K)
Optics	Diffuse
Finishes	Sandblasted or Antislip Glass
Fixture Dimensions	9.8" Square x 1.6" h (Q1) 19.7" Square x 1.6" h (Q2) 29.5" Square x 1.6" h (Q3) 39.4" Square x 1.6" h (Q4) 49.2" Square x 1.6" h (Q5)
Color Consistency	3-Step MacAdam
IP Rating	IP68 - Submersible to 5 m (16.4')
Impact Resistance	IK10
Driveover Capacity	Up to 11,000 lbs



ORDERING INFORMATION

Example: LM07.103864.US.60.DI.BC. Accessories / Power Supplies ordered separately.

<input type="text"/>	<input type="text"/>	<input type="text"/>	<input type="text"/>
Model No.	Finish	Optic	CCT
LM07.103862.US (Q1 - 15W)	60 - Sandblasted	DI - Diffuse	BC - 2700K
LM07.103863.US (Q2 - 30W)	A1 - Antislip		BP - 3000K
LM07.103864.US (Q3 - 45W)			BF - 4000K
LM07.103919.US (Q4 - 60W)			
LM07.103920.US (Q5 - 76W)			

Job Name/Date:

Fixture Type Designation:

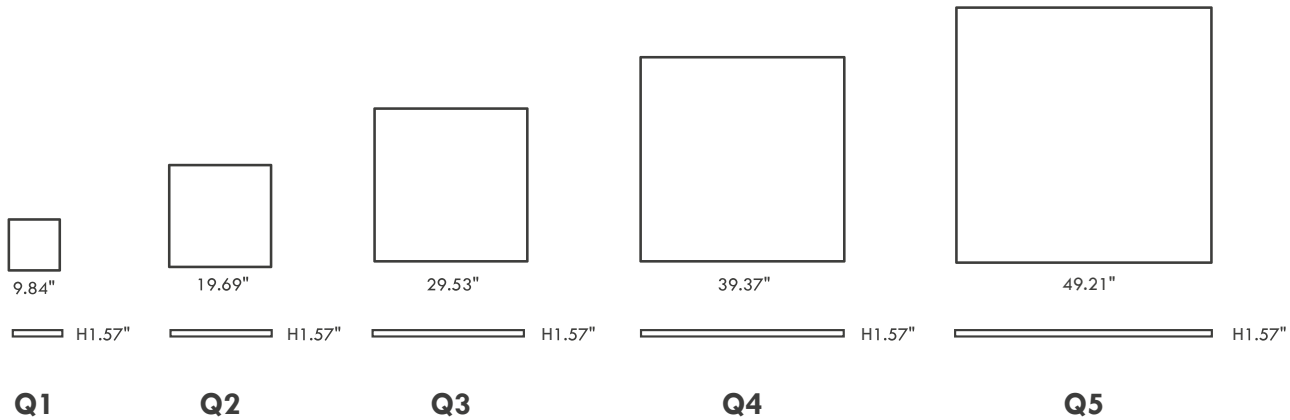
MIN / MAX - QUADRATO IP68



SUITABLE FOR USE IN FOUNTAINS or POOLS

datasheet

FIXTURE DIMENSIONS



SUGGESTED POWER SUPPLIES

24VDC - FOR USE WITH FOUNTAIN / WATER FEATURES

Part Number	Description	Input/Output	# of Fixtures				
			Q1	Q2	Q3	Q4	Q5
FPV-100000024	Non-Dim	120-277VAC to 24VDC, 100W, Class 2, NEMA 4	1-2	1-2	1-1	1-1	1-1
FPV-100100024	0-10V Dimming to 1.0%	120-277VAC to 24VDC, 100W, Class 2, NEMA 4	1-2	1-2	1-1	1-1	1-1

For other power supply options consult factory.

ACCESSORIES - Installation



LM20.104000 (Q1 - 10.2" x 10.2" x 3.9" h)
LM20.104001 (Q2 - 20.0" x 20.0" x 3.9" h)
LM20.104002 (Q3 - 29.8" x 29.8" x 3.9" h)
LM20.104003 (Q4 - 39.7" x 39.7" x 3.9" h)
LM20.104004 (Q5 - 47.6" x 47.6" x 3.9" h)
IP68 Housing



LM20.104763
Light Source Extraction Tool Kit (Q1, Q2)
LM20.104811
Light Source Extraction Tool Kit (Q3, Q4, Q5)

Job Name/Date:

Fixture Type Designation:

MIN / MAX - QUADRATO IP68



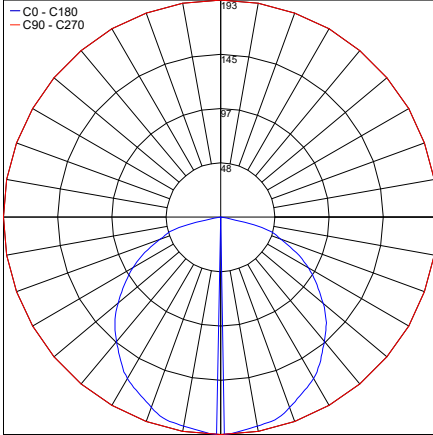
SUITABLE FOR USE IN FOUNTAINS or POOLS

datasheet

PHOTOMETRIC DATA

Q1

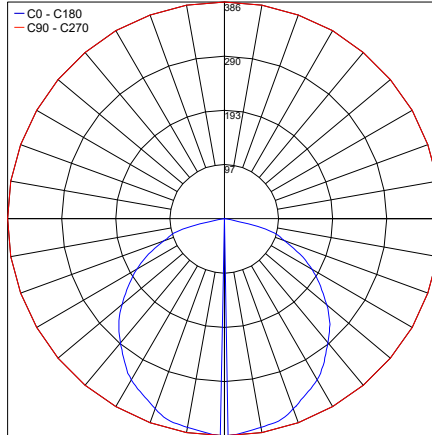
Maximum Candela = 193.2



PHOTOMETRIC FILENAME : Q1 LM07.103862.XX.DI.XX 9.8IN SQUARE IP68.IES

Q2

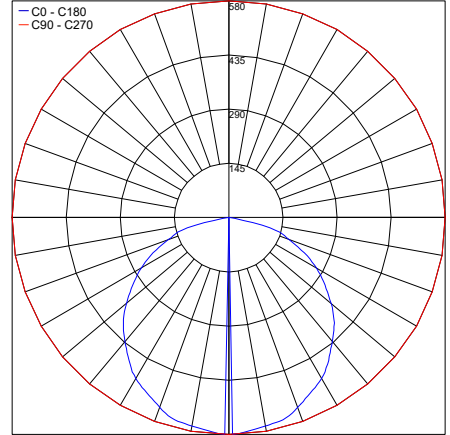
Maximum Candela = 386.4



PHOTOMETRIC FILENAME : Q2 LM07.103863.XX.DI.XX 19.7IN SQUARE IP68.IES

Q3

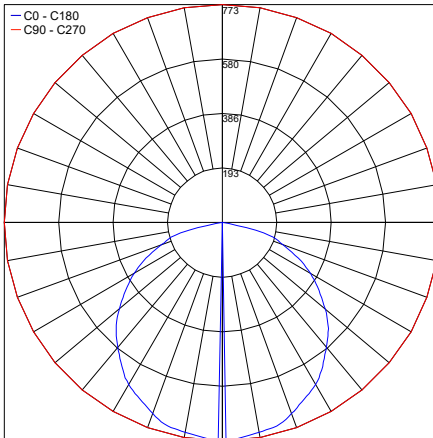
Maximum Candela = 579.6



PHOTOMETRIC FILENAME : Q3 LM07.103864.XX.DI.XX 29.5IN SQUARE IP68.IES

Q4

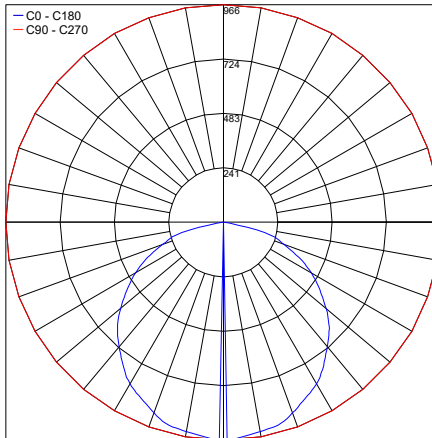
Maximum Candela = 772.8



PHOTOMETRIC FILENAME : Q4 LM07.103919.XX.DI.XX 39.4IN SQUARE IP68.IES

Q5

Maximum Candela = 966.0



PHOTOMETRIC FILENAME : Q5 LM07.103920.60.DI.XX 49.2IN SQUARE IP68.IES

Job Name/Date:

Fixture Type Designation: