

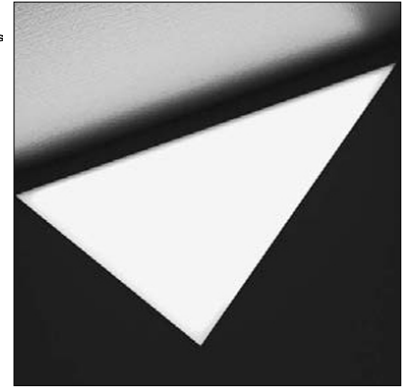
MIN / MAX - TRIANGOLO 1 IP67

LIGHT AT MOTION
LAMBDA
DESIGN AT MOTION LIGHT

designplan®

datasheet

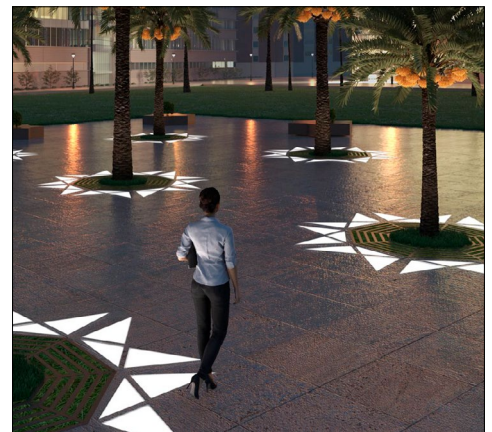
MIN / MAX Triangolo 1 are triangular, IP67-rated LED luminaire for flush installation on floors in indoor or outdoor areas. Triangolo is available in 2 different triangle shapes - 5 sizes each with antislip or sandblasted glass. Driveover rated up to 11,000 lbs. Pressure switch on request. Can be ordered in IP68 stainless steel version suitable for fountains - see Fountain Lighting section.



Fixture Dimensions - See page 2

TECHNICAL DATA

Wattage / Input	16W, 33W, 45W, 60W, 76W
Power Supply	Remote, not included. See page 2.
Construction	Body: Anticorodal Aluminum Protected by 25 Micron Lens: Extra Clear Tempered Glass Cable Length: 1.64'
CCT	2700K, 3000K, 4000K (RGBW or Tunable White on request)
BUG Rating	B0-U0-G0
Delivered Lumens	1360-5600 lm (3000K)
Efficacy	83-92 lm/W (3000K)
Optics	Diffuse
Finishes	Antislip or Sandblasted Glass
Fixture Dimensions <i>(all are 1.6" h)</i>	9.8" x 15.9" x 15.9" (T1) 19.7" x 31.9" x 31.9" (T2) 29.5" x 47.3" x 47.3" (T3) 39.4" x 63.8" x 63.8" (T4) 49.2" x 79.7" x 79.7" (T5)
Color Consistency	3-Step MacAdam
IP Rating	IP67
Impact Resistance	IK10
Driveover Capacity	Up to 11,000 lbs



ORDERING INFORMATION

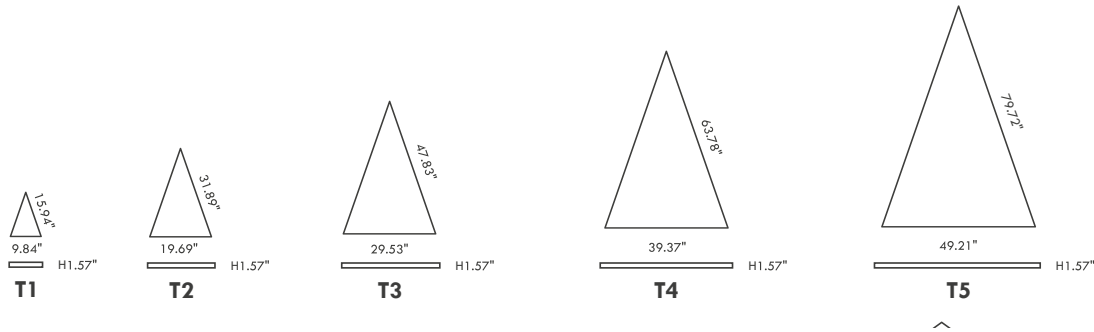
Example: LM07.103825.A1.DI.BP.US. Accessories / Power supplies sold separately.

<input type="text"/>	<input type="text"/>	DI	<input type="text"/>
Model No.	Finish	Optic	CCT
LM07.103823.US (T1 - 16W)	A1 - Antislip Glass	DI - Diffuse	BC - 2700K
LM07.103824.US (T2 - 33W)	60 - Sandblasted Glass		BP - 3000K
LM07.103825.US (T3 - 45W)			BF - 4000K
LM07.103885.US (T4 - 60W)			
LM07.103886.US (T5 - 76W)			

Job Name/Date:

Fixture Type Designation:

FIXTURE DIMENSIONS



SUGGESTED POWER SUPPLIES

24VDC

Part Number	Description	Input/Output	# of Fixtures				
			T1	T2	T3	T4	T5
PPLT00543	0-10V Dimming to 15% (-40°C / -40°F cold weather start)	120-277VAC to 24VDC, 100W, Class 2	1-5	1-2	1-1	1-1	1-1

For other power supply options consult factory.

Job Name/Date:

Fixture Type Designation:

ACCESSORIES - Installation



- LM20.103942** (T1 - 10.2" x 16.3" x 3.9" h)
 - LM20.103943** (T2 - 20.0" x 32.2" x 3.9" h)
 - LM20.103944** (T3 - 29.8" x 48.1" x 3.9" h)
 - LM20.103945** (T4 - 39.7" x 64.1" x 3.9" h)
 - LM20.103946** (T5 - 49.5" x 80.0" x 3.9" h)
- IP67 Housing



- LM20.104765**
Light Source Extraction Tool Kit
(For T1, T2, T6, T7)

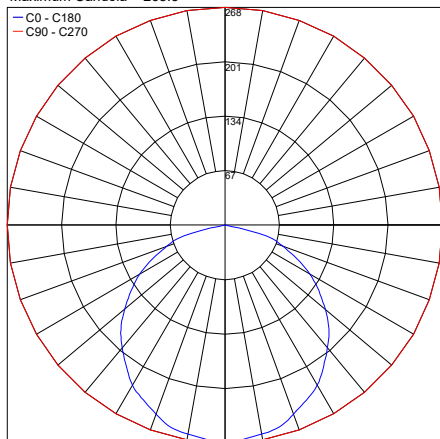
- LM20.104812**
Light Source Extraction Tool Kit
(For T3, T4, T5, T8, T9, T10)

PHOTOMETRIC DATA

T1-T10

Maximum Candela = 268.3

— C0 - C180
— C90 - C270



PHOTOMETRIC FILENAME : T1-T10-all the same.IES

Job Name/Date:

Fixture Type Designation: