



**INSTRUCTIONS PERTAINING TO RISK OF FIRE OR INJURY TO PERSONS. READ ALL INSTRUCTIONS. IMPORTANT SAFETY INSTRUCTIONS. SAVE THESE INSTRUCTIONS.**

**DANGER - RISK OF SHOCK - DISCONNECT POWER BEFORE INSTALLATION! Please read all instructions before installation.**

- Keep these instructions for future reference.
- Must be installed by a qualified electrician in accordance with national and local standards. Designplan is not responsible for fixtures installed without regard to these standards.
- Unauthorized alterations or tampering of product voids warranty.
- The main power connection must be in accordance with local electrical codes.
- Suitable for OUTDOOR applications.



**IP68 IK10**

## Electrical Connections:

- LED lights must be **connected in parallel** respecting polarities.
- **CHOOSE POWER SUPPLY ACCORDINGLY.** Please consider the voltage through which fixtures are fed as well as the max power consumption.
- **Connect power only if all the fixtures are connected.**
- The power supplies **MUST** be installed in aerated rooms, far from heat sources. Overworking or lack of air circulation will not permit natural dissipation.
- Use only Class 2 type electronic power supply.
- Never use switches on secondary circuit.

**ATTENTION:** **For In-Grade** - It is the contractor's responsibility to seal the conduit with "Great Stuff" aerosol seal that prevents water and moisture penetration for ultimate protection. Contractor **MUST** use gel-filled wire nuts.

## Maintenance

Scheduled maintenance must be carried out once a year on all lighting devices, regardless of appliance class and type of use. It must include the following operations:

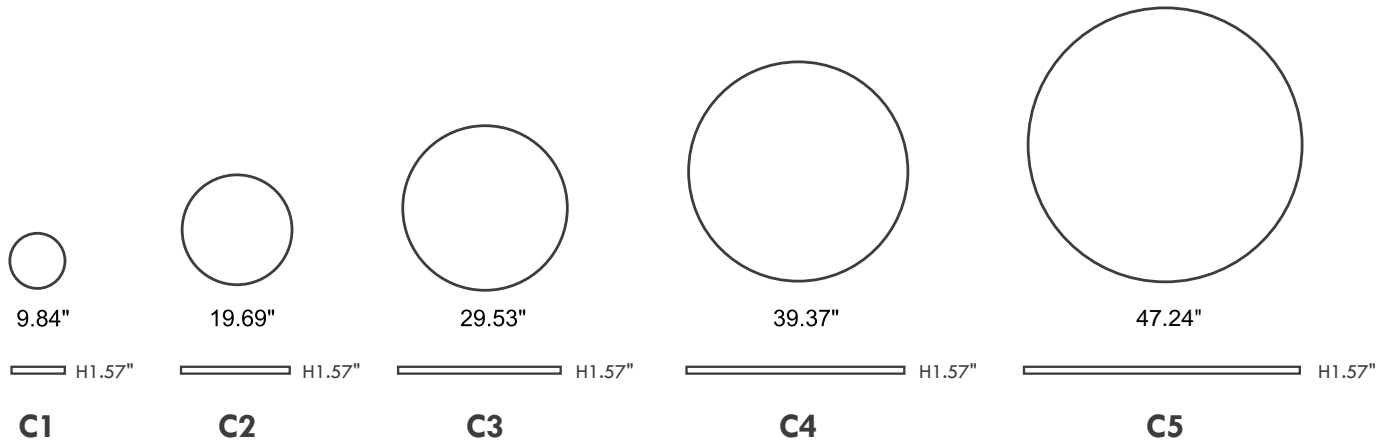
- Periodically clean fixtures to remove dirt from gratings and screw heads.
- Check tightness of screws on various parts of the device.
- Check that all cable glands and cables are intact and tight. Check that the glass or plastic lens is intact, and replace it if broken or damaged.
- The internal components such as the ballast, driver, washers and screws must not show clear signs of oxidation or rust. Clear traces of rust and oxidation will indicate the presence of water inside the device.
- In the case of damage, the components must be replaced by original components or spare parts.

# MIN / MAX CERCHIO EVO

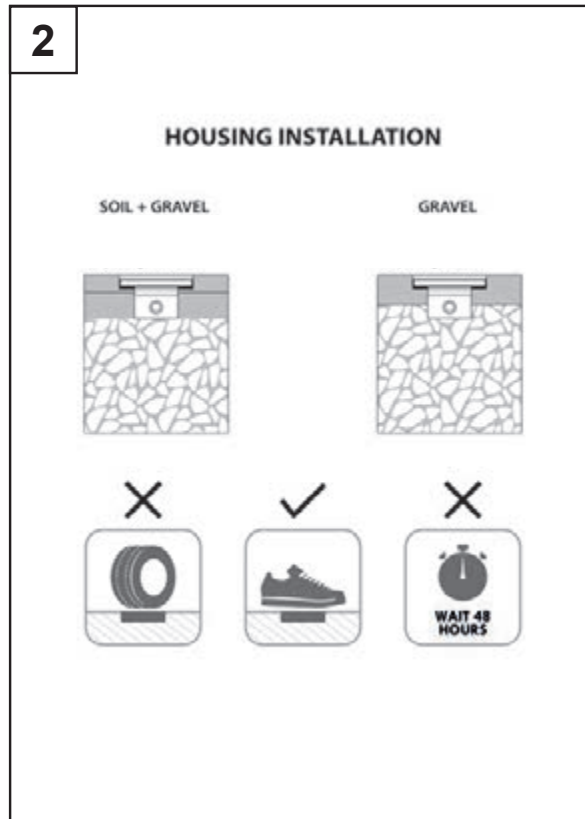
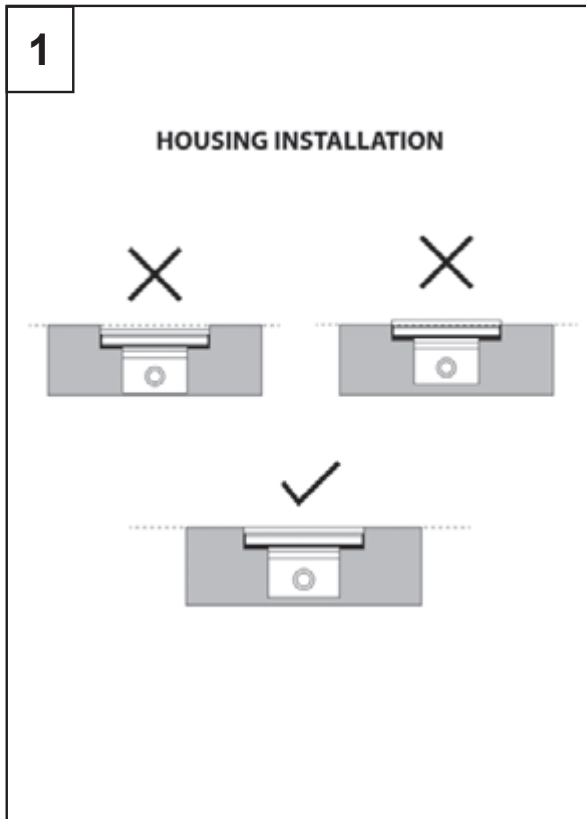
REMOTE 24VDC

installation instructions

## FIXTURE DIMENSIONS:



## INSTALLATION INSTRUCTION:



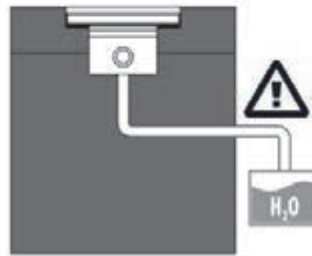
3

## HOUSING INSTALLATION

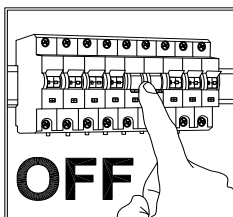
CONCRETE + GRAVEL



CONCRETE

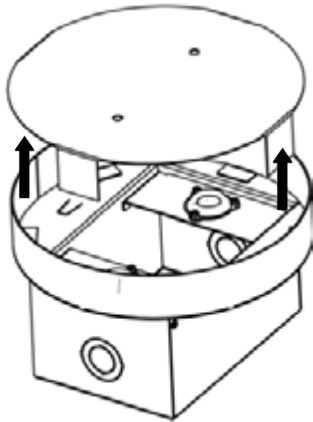


SELF-LOCKING



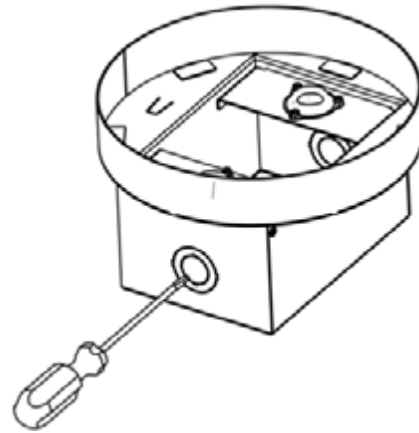
- It is the contractor's responsibility to caulk around all the edges between the fixture and the mounting surface, to satisfy wet label requirements.
- It is the contractor's responsibility to install Remote Driver in a suitable electrical enclosure.

1



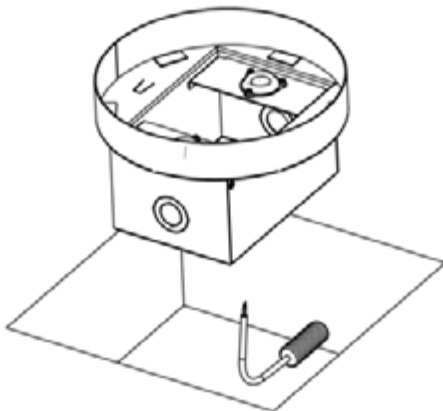
Remove the protective template from the mounting box

2



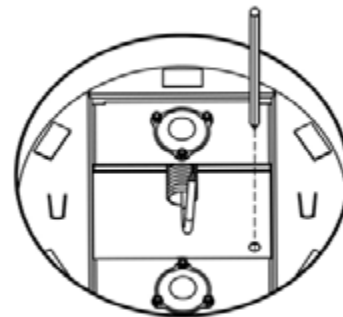
After identifying the direction of the line cables, open the mounting box using a screwdriver

3



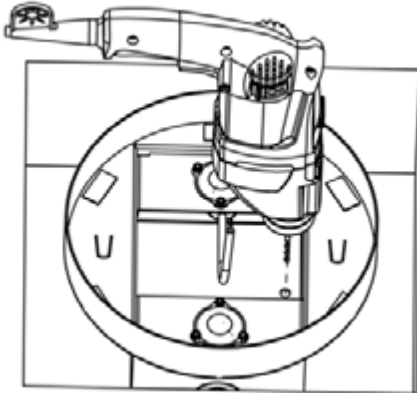
Insert and position the mounting box into the floor opening

4



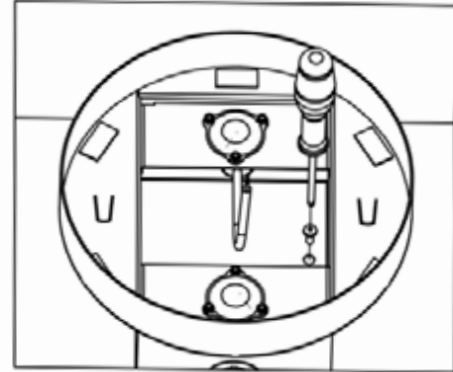
Mark the positions for the anti-rotation holes

5



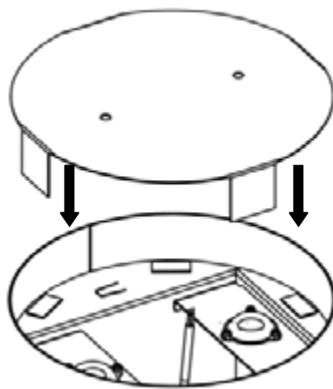
Drill the holes using a drill and an expansion plug bit  $\varnothing < 0.315''$  (plugs not provided)

6



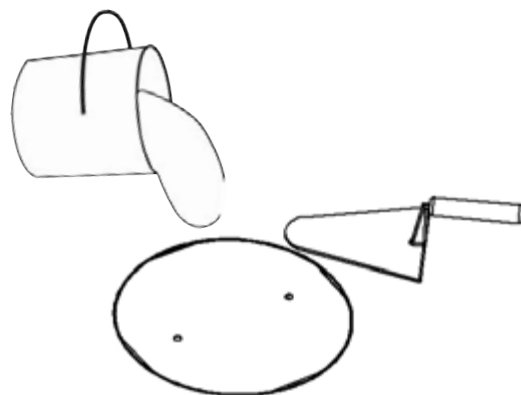
Reposition the mounting box inside the opening and fasten the screws into the plugs using a screwdriver

7



Place the protective template back into the mounting box

8



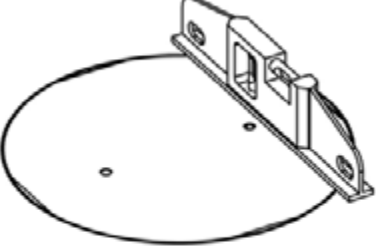
Pour concrete around the mounting box, making sure to fill all the empty space between the box and the hole

# MIN / MAX CERCHIO EVO

REMOTE 24VDC

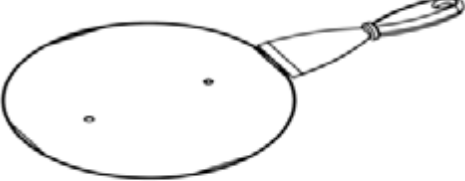
installation instructions

**9**



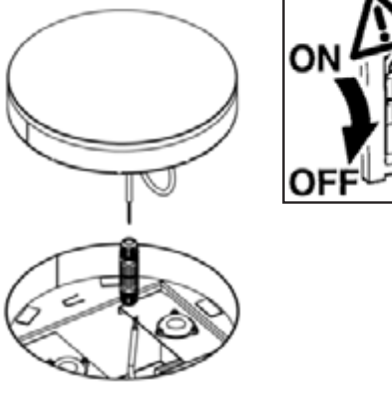
Check the level of the unit using a spirit level

**10**



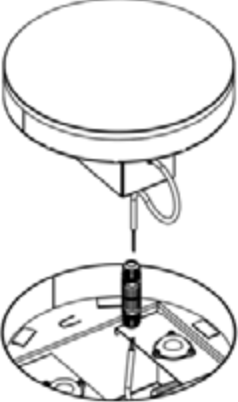
Remove any concrete spills using a spatula

**24V CONNECTION**



Connect the device cables to the line cables using the supplied IP68 connector

**120V CONNECTION**



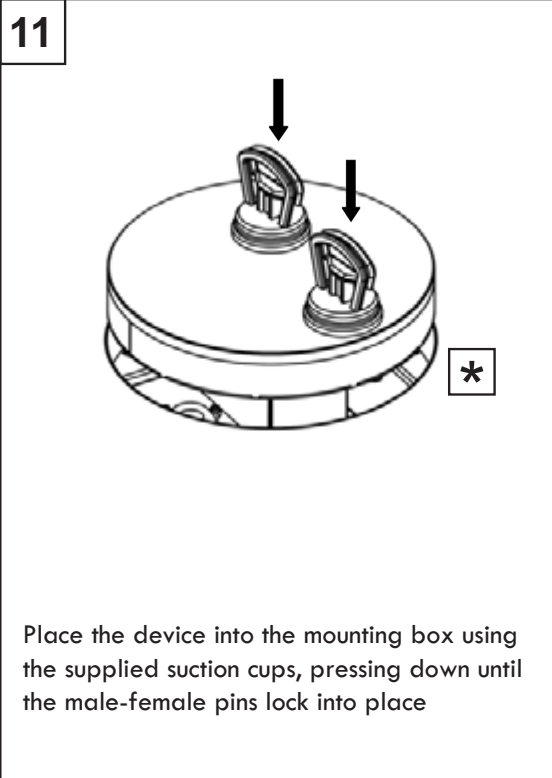
Connect the device cables to the line cables using the supplied IP68 connector

# MIN / MAX CERCHIO EVO

REMOTE 24VDC

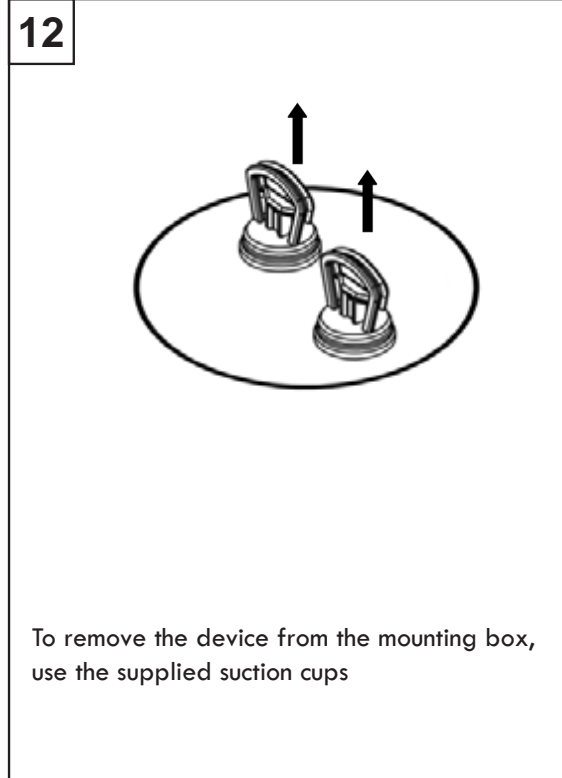
installation instructions

11



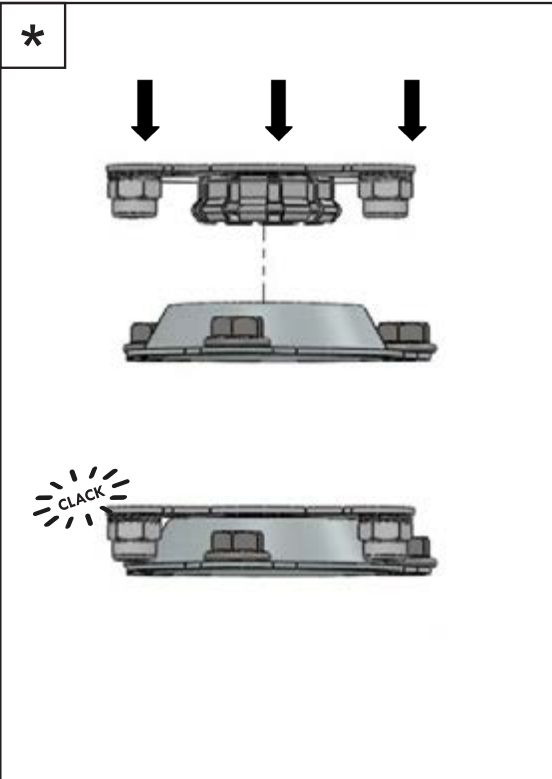
Place the device into the mounting box using the supplied suction cups, pressing down until the male-female pins lock into place

12



To remove the device from the mounting box, use the supplied suction cups

\*



CLACK

