



**INSTRUCTIONS PERTAINING TO RISK OF FIRE OR INJURY TO PERSONS. READ ALL INSTRUCTIONS. IMPORTANT SAFETY INSTRUCTIONS. SAVE THESE INSTRUCTIONS.**

**DANGER - RISK OF SHOCK - DISCONNECT POWER BEFORE INSTALLATION! Please read all instructions before installation.**

- Keep these instructions for future reference.
- Must be installed by a qualified electrician in accordance with national and local standards. Designplan is not responsible for fixtures installed without regard to these standards.
- Unauthorized alterations or tampering of product voids warranty.
- The main power connection must be in accordance with local electrical codes.
- Suitable for OUTDOOR applications.



## Electrical Connections:

- LED lights must be **connected in parallel** respecting polarities.
- **CHOOSE POWER SUPPLY ACCORDINGLY.** Please consider the voltage through which fixtures are fed as well as the max power consumption.
- **Connect power only if all the fixtures are connected.**
- This unit must be used in conjunction with a suitable fountain rated power supply.
- Use only Class 2 type electronic power supply.
- Never use switches on secondary circuit.



Product for permanent submersion applications.  
Fixture must be operated in submerged condition.

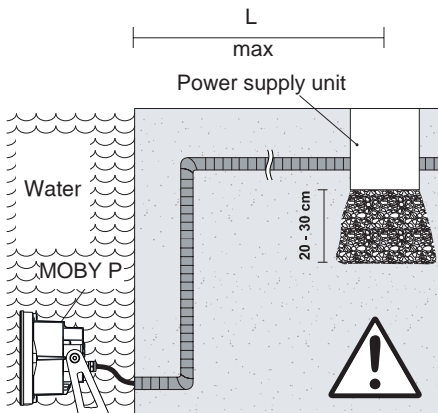
**ATTENTION:** For Wall/Ceiling - It is the contractor's responsibility to caulk around all the edges between the fixture and the mounting surface to satisfy wet label requirements.  
For In-Grade - It is the contractor's responsibility to seal the conduit with "Great Stuff" aerosol seal that prevents water and moisture penetration for ultimate protection. Contractor **MUST** use gel-filled wire nuts.

## Maintenance

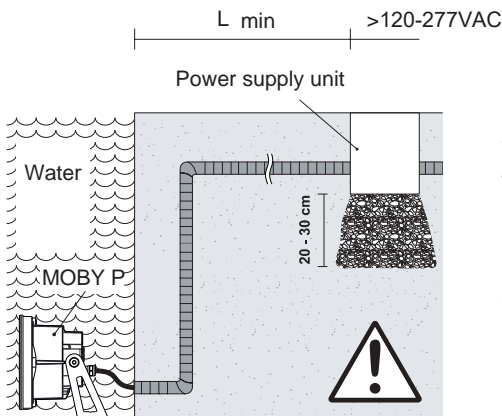
Scheduled maintenance must be carried out once a year on all lighting devices, regardless of appliance class and type of use. It must include the following operations:

- Periodically clean fixtures to remove dirt from gratings and screw heads.
- Check tightness of screws on various parts of the device.
- Check that all cable glands and cables are intact and tight. Check that the glass or plastic lens is intact, and replace it if broken or damaged.
- The internal components such as the ballast, driver, washers and screws must not show clear signs of oxidation or rust. Clear traces of rust and oxidation will indicate the presence of water inside the device.
- In the case of damage, the components must be replaced by original components or spare parts.

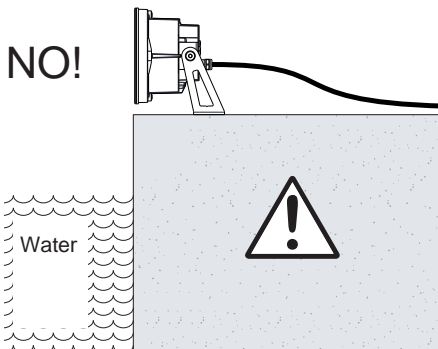
## Installation Recommendations



MAXIMUM DISTANCE (L max cable) FROM THE LIGHTING FIXTURE TO THE REMOTE POWER SUPPLY monochromatic version: max. 40 m / RGBW version: max. 20 m



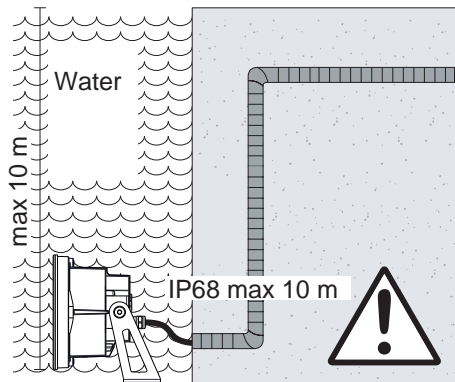
You must always check the minimum distance of the external power supply from the water according to the regulations in force in the country in which the product is being installed, to ensure that all the relative limitations and obligations are respected. If the cable supplied with the device is not long enough to reach the safety area, intermediate junction boxes must be installed, at distances and voltages that must also comply with the regulations in force in the country in which the product is installed.



NO!

Not suitable for use out of water  
Not suitable for use in salt water.  
Not suitable for swimming pools that use salt electrolysis systems to sanitize the water.

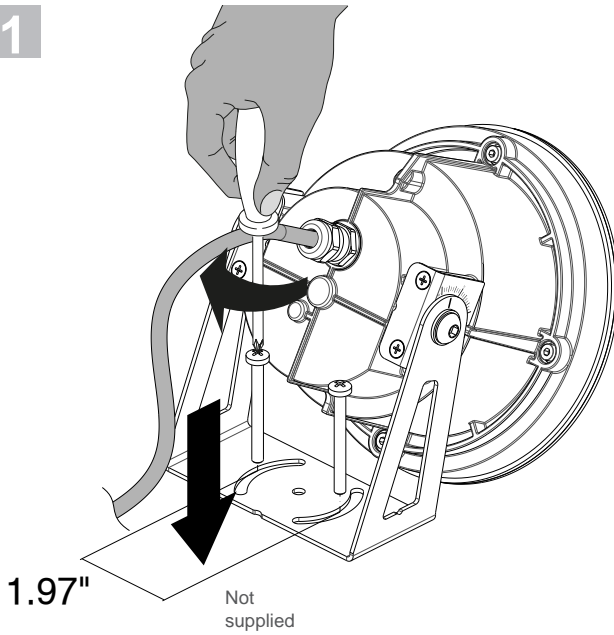
# MOBY P 1.0-1.1, 2.0-2.1, 3.0-3.1



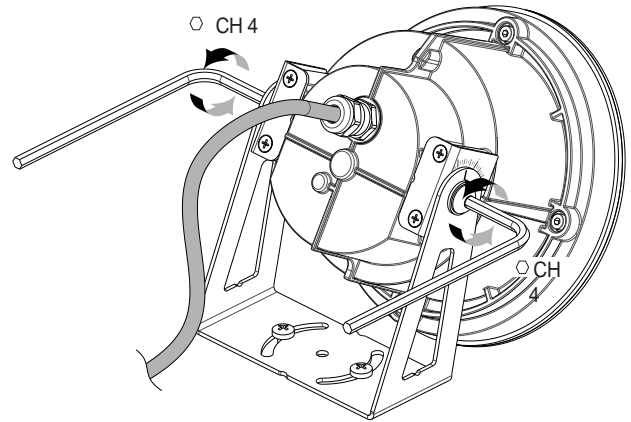
Max installation depth: 10 m (32 ft)

## Fixture Installation

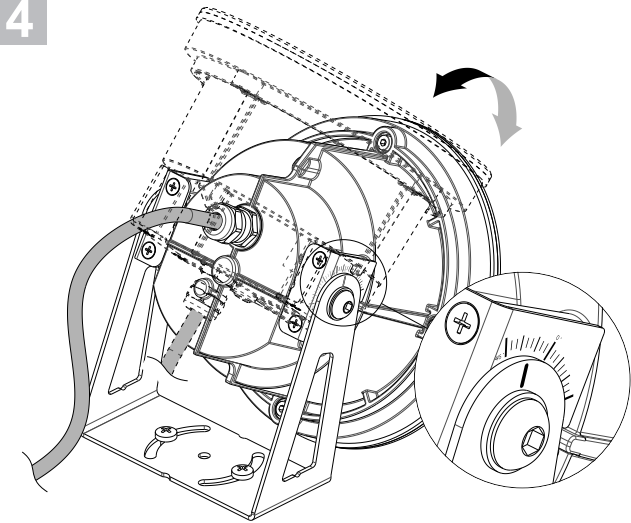
1



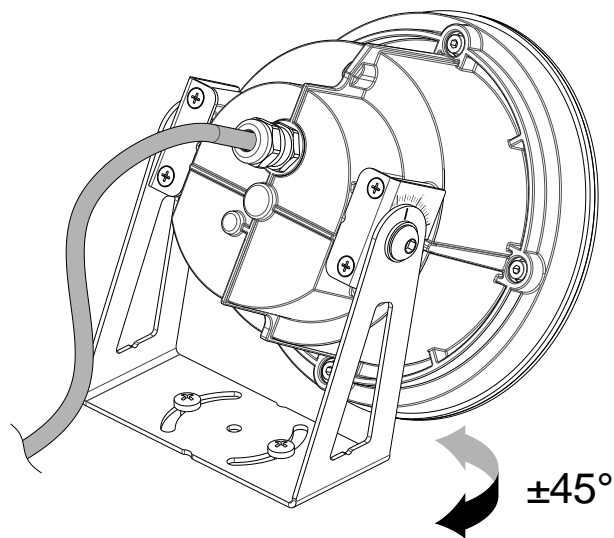
3



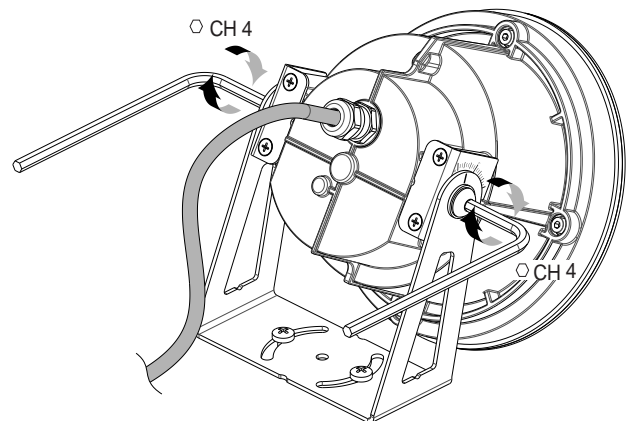
4



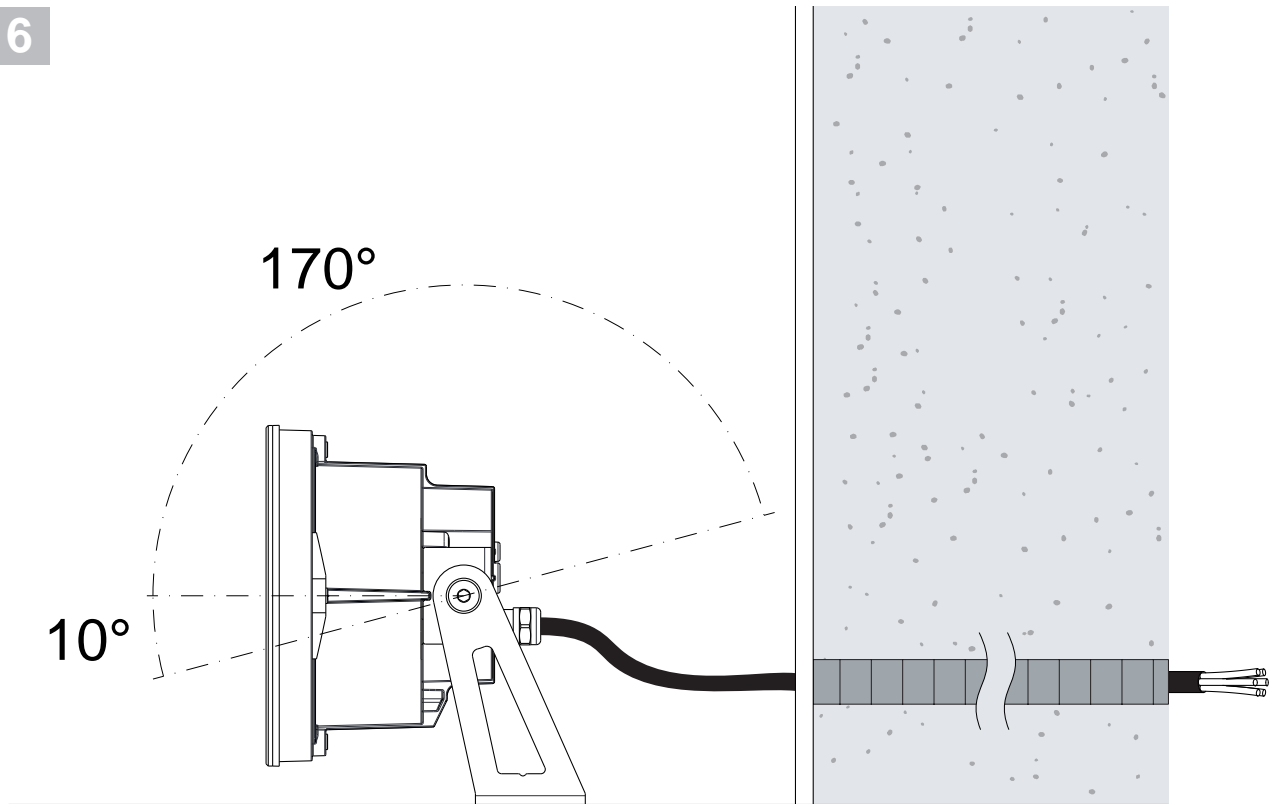
2



5

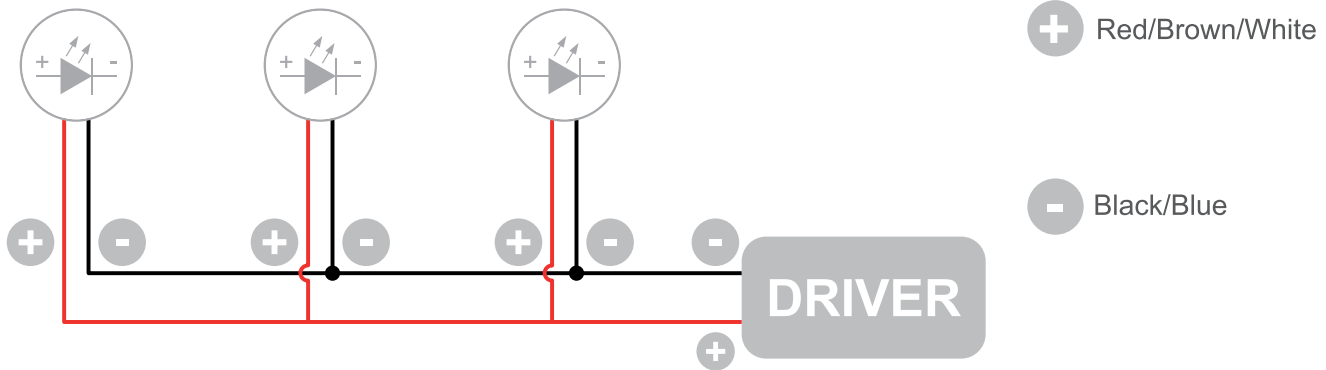


6



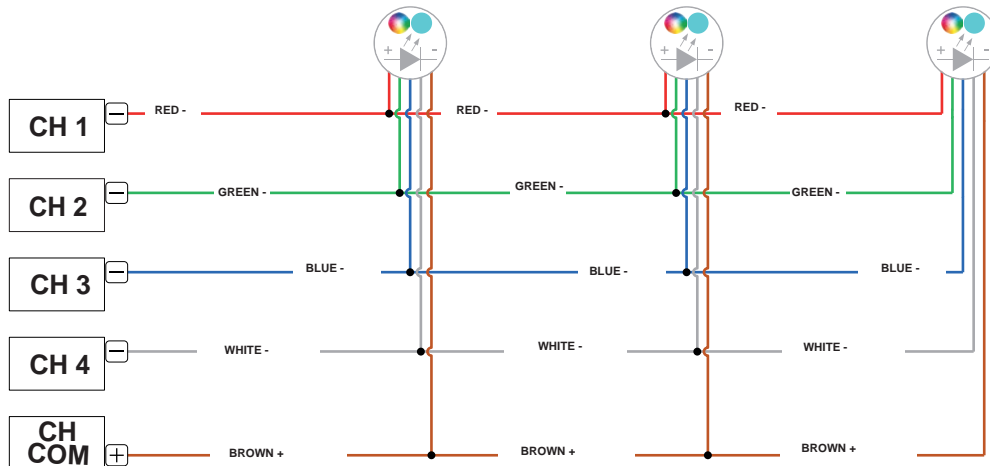
## Wiring Diagram

24VDC  
(Static White Parallel Connection)



The individual lamps must be connected in parallel. Only power up the system once all the lamps have being connected.

### RGBW / CYAN Versions



- Only power up the system once all the lamps are connected. Connecting an individual lamp to an active power supply may cause the lamp to break due to over-voltage.
- Lamps and power supply units must be installed in well-ventilated boxes or locations to allow a natural heat diffusion and avoid the devices overheating.
- On the power system, install a surge protection device to reduce the intensity of any voltage spikes to protect the lighting fixtures from the risk of damage.
- Fixture NOT suitable for covering with thermally insulating material.