

MATITA ROUND

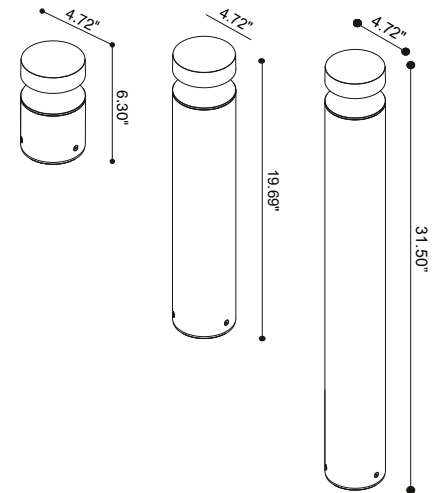
Matita is an IP65 rated outdoor bollard for ground or solid surface installation that comes in both round and square options. Matita Round is available in 3 heights with a 360° light emission and is offered in 5 standard finishes with black or white reflector.



TECHNICAL DATA

Wattage / Input	13W
Power Supply	Integral 120/277VAC
Dimming	0-10V Dimming (Non-dim available on request)
Construction	Head/Conical Reflectors: Die-Cast Aluminum Poles: Extruded Aluminum Lens: Transparent Tempered Glass
CCT	2700K, 3000K, 4000K
CRI	>80
BUG Rating	B0-U3-G1
Delivered Lumens	565 lm (White Reflector - 3000K) 438 lm (Black Reflector - 3000K)
Efficacy	56.5 lm/W (White Reflector - 3000K) 43.8 lm/W (Black Reflector - 3000K)
Optics	360° Diffused - Downward
LED Source	Mid Power LED
Finishes	5 Standard, See Below and Page 2
Reflector Finishes	White, Black
Fixture Dimensions	Ø4.72" x 6.3", 19.7" or 31.5" h
IP Rating	IP65
Impact Resistance	IK07

Fixture Dimensions



ORDERING INFORMATION

Example: D900310073.US (19.7" height, 3000K with Black Reflector and Sand finish).

D9003				US
Model No.	CCT	Reflector Finish	Finish	
D9003	300 - 2700K 100 - 3000K 200 - 4000K	1 - White - 6.3" height 6 - Black - 6.3" height 3 - White - 19.7" height 7 - Black - 19.7" height 5 - White - 31.5" height 8 - Black - 31.5" height	2 - White 3 - Sand 4 - Graphite 5 - Aluminum 8 - Corten	US

Job Name/Date:

Fixture Type Designation:

FINISHES



white



sand



graphite



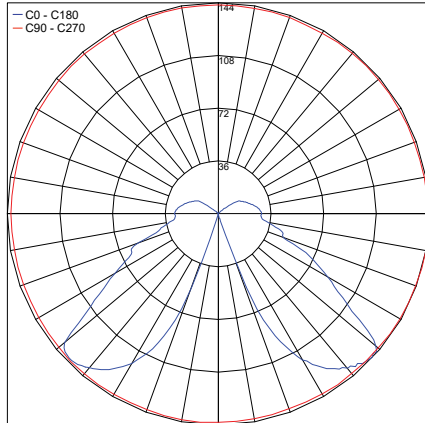
aluminum



corten

PHOTOMETRIC DATA

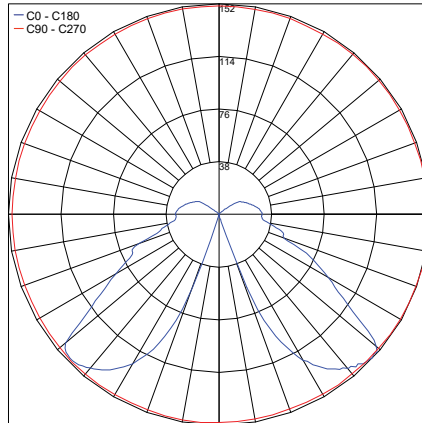
Maximum Candela = 144.2



PHOTOMETRIC FILENAME : MATITA H 19.7IN_13W_3000K.IES

19.7" version - 3000K

Maximum Candela = 151.7



PHOTOMETRIC FILENAME : MATITA H 19.7IN_13W_4000K.IES

19.7" version - 4000K

ACCESSORIES



Anchor Bolts

D9009 - Round

Suggested for ground installation



180° Shield

D9044

Job Name/Date:

Fixture Type Designation: