

MATITA SQUARE

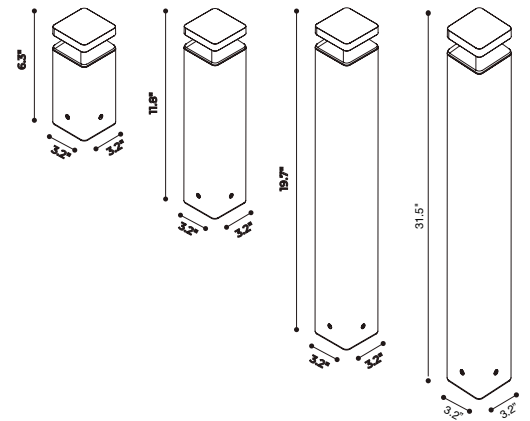
Matita is an IP65-rated outdoor bollard for ground or solid surface installation that comes in both round and square options. Matita Square is available in 4 heights with a 360° light emission and is offered in 5 standard finishes.



TECHNICAL DATA

Wattage / Input	8.5W (24VDC)
Power Supply	Remote, not included. See page 2.
Construction	Head/Conical Reflectors: Die-Cast Aluminum Poles: Extruded Aluminum Lens: PMMA Satin Diffuser
CCT	2700K, 3000K, 4000K
CRI	>80
Delivered Lumens	368 lm (White Reflector - 3000K) 223 lm (Black Reflector - 3000K)
Efficacy	43.3 lm/W (White Reflector - 3000K) 26.2 lm/W (Black Reflector - 3000K)
Optics	360° Downward
LED Source	Mid Power LED
Finishes	5 Standard, See Below & Page 2
Reflector Finishes	White, Black
Fixture Dimensions	3.15" x 3.15" x 6.3", 11.8", 19.7" or 31.5" h
IP Rating	IP65
Impact Resistance	IK08

Fixture Dimensions



ORDERING INFORMATION

Example: D901311033.US (11.8" height, 3000K with Black Reflector and Sand finish).

D9013				US
Model No.	CCT	Reflector Finish	Finish	
D9013	310 - 2700K 110 - 3000K 210 - 4000K	0 - White - 6.3" height 1 - Black - 6.3" height 2 - White - 11.8" height 3 - Black - 11.8" height 6 - White - 19.7" height 7 - Black - 19.7" height 4 - White - 31.5" height 5 - Black - 31.5" height	2 - White 3 - Sand 4 - Graphite 5 - Aluminum 8 - Corten	US

Job Name/Date:

Fixture Type Designation:

SUGGESTED POWER SUPPLIES

24VDC

Part Number	Description	Input/Output	# of Fixtures
PPLT00632	0-10V Dimming (Dim to Off)	120-277VAC to 24VDC, 12W, Class 2	1-1
PPLT00155	Non-Dim	120VAC to 24VDC, 30W, Class 2, IP66	1-2
PPLT00157	Non-Dim	120VAC to 24VDC, 60W, Class 2	1-5
PPLT00158	Non-Dim	120VAC to 24VDC, 100W, Class 2	1-9
PPLT00543	0-10V Dimming to 10%	120-277VAC to 24VDC, 100W, Class 2	2-9

For other power supply options consult factory.

ACCESSORIES



Anchor Bolts
D9041 - Square
 Suggested for ground installation

FINISHES



white



sand



graphite

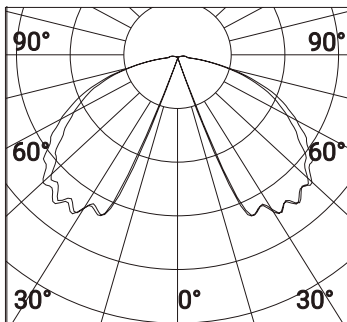


aluminum

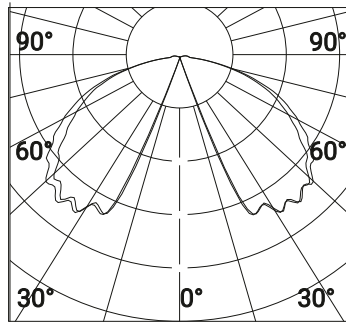


corten

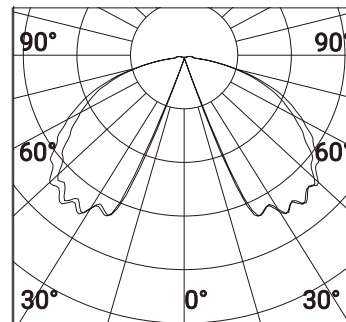
PHOTOMETRIC DATA



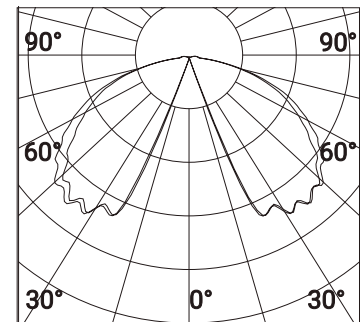
6.3" version



11.8" version



19.7" version



31.5" version

Job Name/Date:

Fixture Type Designation: