

MAXI BILD



MINIMALISM AND LIGHT POWER.

Maxi Bild's linear design, that blends with the environment, creates a precise and delicate light that exalts the purity of shapes. A totally disappearing indoor recessed luminaire made of Coral[®], installable on plasterboard or brick ceilings.

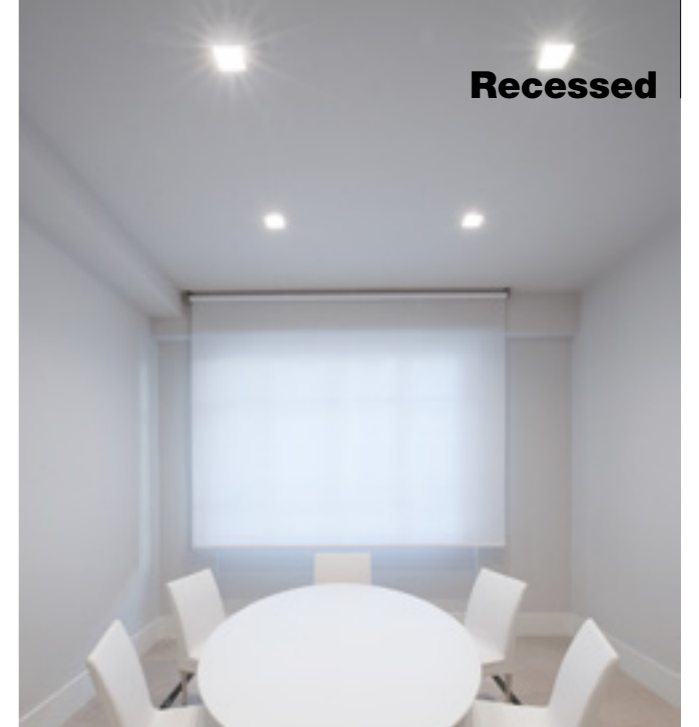
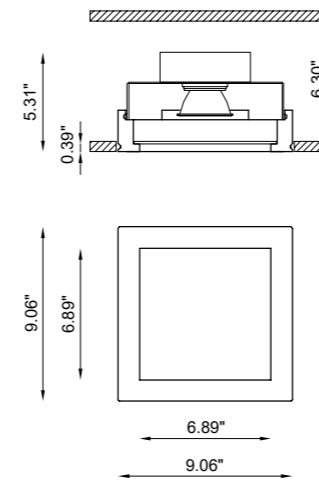
A combination of efficiency and elegance, Maxi Bild allows infinite project solutions: it is the perfect insert for creating light mosaics full of fascination. The satin glass, laid in support, emanates a neat and scattered light within the environmental setting.



79 Trenton Avenue
Frenchtown, NJ 08825

www.designplan.com

Tel: (908) 996-7710
Fax: (908) 996-7042



TECHNICAL FEATURES

Code	BU4411.00
Type	Downlight 90° 
Material	00: Coral [®]
Weight	6.61 lbs
Mounting	Ceiling recessed
IP rating	IP40
Control gear	Constant current electronic driver
Dimensions	9.06" l x 9.06" w x 5.31" h
Cut out for plasterboard	9.45" x 9.45"
Lamp type	LED 700mA 
Lamp wattage	27W
Luminous efficacy	102 lm/W - 3000K
Light distribution	Wide beam 40°
Fitting	-
Light color	White 3000K White 2700K 4000K (on request)
Light hole	6.89" x 6.89"
CRI	>90
Note	Extra white satin glass. Frosted glass recessed 0.39" into the ceiling.