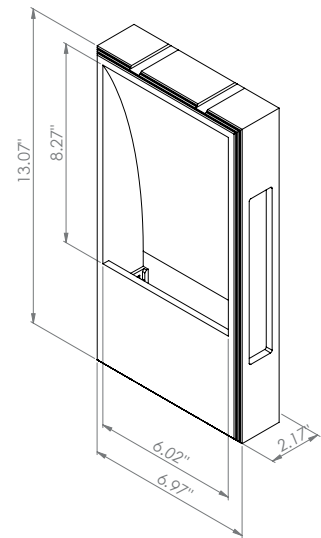


MEDIUM IP20

Medium IP20 is an indirect recessed wall luminaire made of Calcyt® plaster that can be seamlessly installed into walls and are fully paintable. It is a version of Normall with a skinnier light area. Medium is available with fixed optics and a variety of color temperatures including WarmDim.



Wall Cut-Out: 7.17" l x 13.27" h
Fixture Dimensions



TECHNICAL DATA

| | |
|---------------------------|--|
| Wattage / Input | 6.4W (250mA), 9.5W (350mA) 6W (WarmDim - 350mA) |
| Power Supply | Remote, not included. See page 2. |
| Construction | Body: CALCYT® Plaster Lens: Tempered Glass |
| CCT | 2200K, 2700K, 3000K, 4000K, WarmDim (3000K-2000K) |
| CRI | >92 and >80 |
| Delivered Lumens | 454 lm (3000K - 800 LM version) |
| Efficacy | 48.8 lm/W |
| Optics | Fixed |
| Finishes | Fully Paintable |
| Fixture Dimensions | 6.97" l x 2.17" w x 13.07" h |
| Cut-out Dimension | 7.17" l x 13.27" h |
| Color Consistency | 2-Step MacAdam, 4-Step MacAdam (WarmDim) |
| IP Rating | IP20 |

ORDERING INFORMATION

Example: 103 29 500. Power Supplies and Accessories ordered separately.

| | |
|--|--|
| | |
|--|--|

| Model No. | Description |
|---------------------------|------------------------------------|
| 103 29 500 - 6.4W | 2200K, 800 lm, CRI 92, 250mA |
| 103 29 000 - 6.4W | 2700K, 800 lm, CRI 92, 250mA |
| 103 29 100 - 6.4W | 3000K, 800 lm, CRI 92, 250mA |
| 103 27 000 - 9.5W | 2700K, 1500 lm, CRI 80, 350mA |
| 103 27 100 - 9.5W | 3000K, 1500 lm, CRI 80, 350mA |
| 103 27 200 - 9.5W | 4000K, 1500 lm, CRI 80, 350mA |
| 103 29 600 - 6W (WarmDim) | 3000K-2000K, 500 lm, CRI 80, 350mA |

REQUIRED ACCESSORIES - Installation

703 01 000
Required Outer Casing

PHOTOMETRIC DATA

See Normall fixtures

Job Name/Date:

Fixture Type Designation:

SUGGESTED POWER SUPPLIES

250mA - 6.4W - 800LM version

| Part Number | Description | Input/Output | # of Fixtures |
|-----------------------------|--|---|---------------|
| PPLT00466-P | 0-10V Dimming to 1.0% | 120-277VAC to 250mA, 10W, Class 2, DAMP | 1-1 |
| PPLT00290 | Leading / Trailing-Edge Dimming to 10% (120V only) | 120-277VAC to 250mA, 16W, Class 2, DAMP | 1-1 |
| PPLT00465-P | 0-10V Dimming to 1.0% | 120-277VAC to 250mA, 20W, Class 2, DAMP | 1-2 |
| PPLT00308-P | 0-10V Dimming to 0.1% | 120-277VAC to 250mA, 30W, Class 2, DAMP | 1-2 |
| PPLT00467-P | 0-10V Dimming to 1.0% | 120-277VAC to 250mA, 50W, Class 2, DAMP | 1-2 |
| PPLT00538-P | 0-10V Dimming to 0.1% | 120-277VAC to 250mA, 100W, Class 2 | 1-8 |

350mA - 9.5W - 1500LM version

| Part Number | Description | Input/Output | # of Fixtures |
|-----------------------------|-----------------------|------------------------------------|---------------|
| PPLT00139 | 0-10V Dimming to 10% | 120-277VAC to 350mA, 12W, Class 2 | 1-1 |
| PPLT00468 | Phase Dim (120V only) | 120VAC to 350mA, 14W, Class 2 | 1-1 |
| PPLT00480-P | 0-10V Dimming to 1% | 120-277VAC to 350mA, 30W, Class 2 | 1-1 |
| PPLT00309-P | 0-10V Dimming to 0.1% | 120-277VAC to 350mA, 50W, Class 2 | 1-1 |
| PPLT00538-P | 0-10V Dimming to 0.1% | 120-277VAC to 350mA, 100W, Class 2 | 1-4 |

Suggested Lutron Compatible - 350mA - 9.5W - 1500LM version

| Part Number | Option | Lutron SKU | Dim Range | Description | Input/Output | # of Fixtures |
|---------------------------|----------------|------------|-----------|--|-----------------------------------|---------------|
| PPLT00516 | L3DAE / L3DA3W | L3DA | 100%-1% | Hi-Lume™ 1% EcoSystem™ or 1% 3-Wire LED Driver | 120-277VAC to 350mA, 13W, Class 2 | 1-1 |

350mA - 6W - WarmDim version

| Part Number | Description | Input/Output | # of Fixtures |
|-----------------------------|--|---|---------------|
| PPLT00468 | Phase Dim (120V only) | 120VAC to 350mA, 14W, Class 2 | 1-2 |
| PPLT00465-P | 0-10V Dimming to 1.0% | 120-277VAC to 350mA, 20W, Class 2, DAMP | 1-2 |
| PPLT00263 | Leading / Trailing Edge Dimming to 10% (120V only) | 120-277VAC to 350mA, 32W, Class 2 | 2-2 |
| PPLT00309-P | 0-10V Dimming to 0.1% | 120-277VAC to 350mA, 50W, Class 2, DAMP | 1-2 |
| PPLT00538-P | 0-10V Dimming to 0.1% | 120-277VAC to 350mA, 100W, Class 2 | 1-12 |

Suggested Lutron Compatible - 350mA - 9.5W version

| Part Number | Option | Lutron SKU | Dim Range | Description | Input/Output | # of Fixtures |
|---------------------------|----------------|------------|-----------|--|-----------------------------------|---------------|
| PPLT00247 | L3DAE / L3DA3W | L3DA | 100%-1% | Hi-Lume™ 1% EcoSystem™ or 1% 3-Wire LED Driver | 120-277VAC to 350mA, 7W, Class 2 | 1-1 |
| PPLT00516 | L3DAE / L3DA3W | L3DA | 100%-1% | Hi-Lume™ 1% EcoSystem™ or 1% 3-Wire LED Driver | 120-277VAC to 350mA, 13W, Class 2 | 2-2 |

For other power supply options consult factory.

Job Name/Date:

Fixture Type Designation: