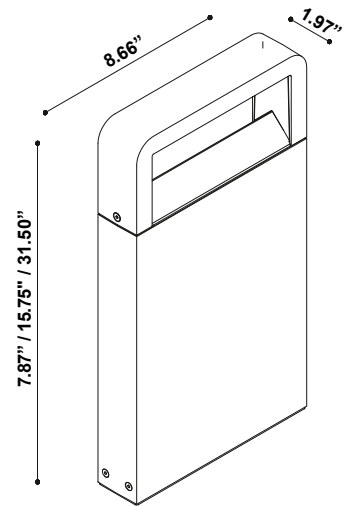


METOO BOLLARD

Metoo is a surface mounted bi-directional beam indoor/outdoor fixture made of die-cast aluminum that can be installed as a bollard with the use of a base in two heights. It is available in 4 standard finishes of polyester powder paint with a protective coating treatment. ADA Compliant. **For surface mounted version - see Square Wall or Ceiling section at www.designplan.com.**



Fixture Dimensions



TECHNICAL DATA

Wattage / Input	9W
Power Supply	Remote 24VDC Constant Voltage
Construction	Body: Die-Cast Aluminum Lens: Polycarbonate Paint: Double Layer Polyester Powder Coat and Protective Chemical Treatment
CCT	2700K, 3000K, 4000K
Delivered Lumens	468 lm (3000K)
Efficacy	52 lm/W
Optics	Fixed
BUG Rating	B0-U3-G0
LED Source	Mid Power LEDs
Finishes	5 Standard, See Below
Fixture Dimensions	1.97" w x 8.66" l x 7.87" or 15.75" h
IP Rating	IP65
Impact Resistance	IK08

ORDERING INFORMATION

Example: D900231015.US Power Supplies ordered separately.

D9002				US
Model No.	CCT	Height	Finish	
D9002	310 - 2700K	1 - 7.87" h	2 - White	US
	110 - 3000K	2 - 15.75" h	3 - Sand	
	210 - 4000K	3 - 31.50" h	4 - Graphite	
			5 - Aluminum	
			8 - Corten	



Job Name/Date:

Fixture Type Designation:

SUGGESTED POWER SUPPLIES

24VDC

Part Number	Description	Input/Output	# of Fixtures
PPLT00632	0-10V Dimming (Dim to Off)	120-277VAC to 24VDC, 12W, Class 2	1-1
PPLT00155	Non-Dim	120VAC to 24VDC, 30W, Class 2, IP66	1-2
PPLT00157	Non-Dim	120VAC to 24VDC, 60W, Class 2	1-5
PPLT00599	ELV / TRIAC & 0-10V Dimming (100 to 0%)	120-277VAC to 24VDC, 96W, Class 2	1-8
PPLT00158	Non-Dim	120VAC to 24VDC, 100W, Class 2	1-8
PPLT00543	0-10V Dimming to 15% (-40°C / -40°F cold weather start)	120-277VAC to 24VDC, 100W, Class 2	2-8

For other power supply options consult factory.

ACCESSORIES

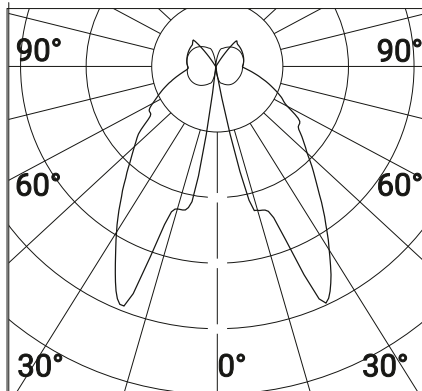


Anchor Bolts

D9042

For ground installation

PHOTOMETRIC DATA



FINISHES



white



sand



graphite



aluminum



corten

Job Name/Date:

Fixture Type Designation: