

MICRO TOMMY 2

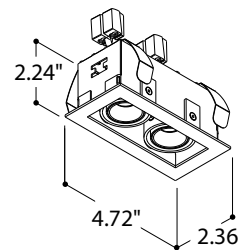
Micro Tommy is an indoor recessed downlight, available in 3 sizes, offering LED power in a pocket size. Micro Tommy 2 is the double LED version available in 2 styles, Torsion or Leaf, 2 color temperatures, 3 optics options and 5 standard finishes.



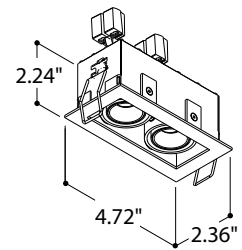
TECHNICAL DATA

Wattage / Input	2 x 4W (350mA)
Power Supply	Remote, not included. See page 2.
CCT	2700K, 3000K
CRI	>90
Delivered Lumens	342 lm per beam (3000K)
Efficacy	90 lm/W per beam (3000K)
Optics	15°, 36°, 50°
Finishes	5 standard, see below
LED Source	BRIDGELUX LED
Fixture Dimensions	4.72" l x 2.36" w x 2.24" h
Cutout Dimensions	4.49" x 2.05" (height 2.36")
Fixture Weight	0.66 lbs
IP Rating	IP20

Fixture Dimensions



MICRO TOMMY 2 LEAF



MICRO TOMMY 2 TORSION

ORDERING INFORMATION

Example: T619586M. Power Supplies / Accessories ordered separately.

Model No.	Description
T619247	Torsion, 2700K, Textured White + White + White
T619294	Torsion, 2700K, Textured White + White + Black
T619295	Torsion, 2700K, Textured White + Black
T619226	Torsion, 2700K, Textured Black + Black
T619296	Torsion, 2700K, Textured Black + Gold Anodized
T619237	Torsion, 3000K, Textured White + White + White
T619284	Torsion, 3000K, Textured White + White + Black
T619285	Torsion, 3000K, Textured White + Black
T619216	Torsion, 3000K, Textured Black + Black
T619286	Torsion, 3000K, Textured Black + Gold Anodized

Model No.	Description
T619547	Leaf, 2700K, Textured White + White + White
T619594	Leaf, 2700K, Textured White + White + Black
T619595	Leaf, 2700K, Textured White + Black
T619526	Leaf, 2700K, Textured Black + Black
T619596	Leaf, 2700K, Textured Black + Gold Anodized
T619537	Leaf, 3000K, Textured White + White + White
T619584	Leaf, 3000K, Textured White + White + Black
T619585	Leaf, 3000K, Textured White + Black
T619516	Leaf, 3000K, Textured Black + Black
T619586	Leaf, 3000K, Textured Black + Gold Anodized

Optic		
N - 15°	M - 36°	W - 50°

OPTICS ORDERING INFORMATION

Please add on of the below onto code for optic.

Job Name/Date:

Fixture Type Designation:

SUGGESTED POWER SUPPLIES

350mA

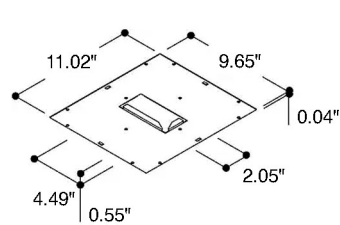
Part Number	Description	Input/Output	# of Fixtures
PPLT00466-P	0-10V Dimming to 1.0%	120-277VAC to 350mA, 10W, Class 2	1-1
PPLT00496	Phase Dim (120V only)	120VAC to 350mA, 12W, Class 2	1-1
PPLT00467-P	0-10V Dimming to 1.0%	120-277VAC to 350mA, 50W, Class 2	1-2
PPLT00561-P	0-10V Dimming to 0.1%	120-277VAC to 350mA, 100W, Class 2	1-2

Suggested Lutron Compatible

Part Number	Option	Lutron SKU	Dim Range	Description	Input/Output	# of Fixtures
PPLT00516	L3DAE / L3DA3W	L3DA	100%-1%	Hi-Lume™ 1% EcoSystem™ or 1% 3-Wire LED Driver	120-277VAC to 350mA , 13W, Class 2	1-1
PPLT00179	L3DAE / L3DA3W	L3DA	100%-1%	Hi-Lume™ 1% EcoSystem™ or 1% 3-Wire LED Driver	120-277VAC to 350mA , 19W, Class 2	2-2

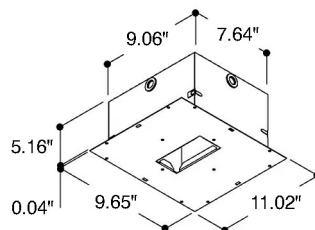
For other power supply options consult factory.

ACCESSORIES - Installation



T419299

Installation Frame for Plaster
Cutout 7.87" x 9.25" x 2.36" h



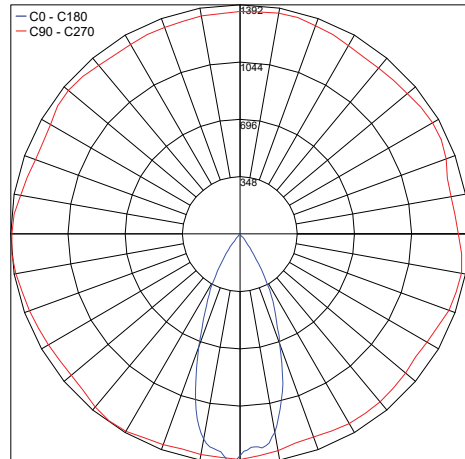
T419297

Installation Box for Plaster Finish
Cutout 7.87" x 9.25" x 5.91" h

PHOTOMETRIC DATA

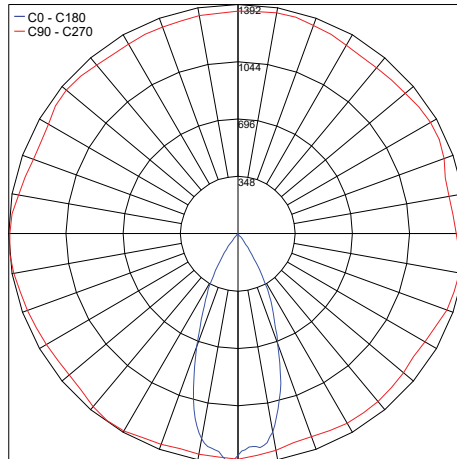
Note all Photometry is 3000K

Maximum Candela = 1392



PHOTOMETRIC FILENAME : MICRO TOMMY 2 LEAF.IES

Maximum Candela = 1392



PHOTOMETRIC FILENAME : MICRO TOMMY 2 TORSION.IES

Job Name/Date:

Fixture Type Designation: