

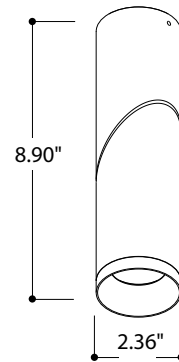
Mini Scoop is an indoor cylindrical downlight that consists of two equal parts, one part for mounting on the ceiling or wall and one part with an integral LED, that can be fully tilted so you can easily direct the light to specific objects and places. It is available in 2 color temperatures and 3 optics options. This is a Class 2, low voltage fixture and does not require a junction box.



TECHNICAL DATA

Wattage / Input	7.8W (700mA)
Power Supply	Remote, not included. See page 2.
CCT	2700K, 3000K
CRI	>90
Delivered Lumens	755 lm per beam (2700K)
Efficacy	96.8 lm/W per beam (2700K)
Optics	9°, 36°, 60°
Finishes	2 standard, see below
LED Source	LUXEON M LED
Fixture Dimensions	Ø2.36" x 8.90" h
Fixture Weight	1.54 lbs
IP Rating	IP20

Fixture Dimensions



ORDERING INFORMATION

Example: T179836. Power Supplies ordered separately.

Model No.	Description
T179827	2700K, Textured White, 9°
T179806	2700K, Textured Black, 9°
T179847	2700K, Textured White, 38°
T179826	2700K, Textured Black, 38°
T179867	2700K, Textured White, 60°
T179846	2700K, Textured Black, 60°

Model No.	Description
T179837	3000K, Textured White, 9°
T179816	3000K, Textured Black, 9°
T179857	3000K, Textured White, 38°
T179836	3000K, Textured Black, 38°
T179877	3000K, Textured White, 60°
T179856	3000K, Textured Black, 60°

Job Name/Date:

Fixture Type Designation:

SUGGESTED POWER SUPPLIES

700mA

Part Number	Description	Input/Output	# of Fixtures
PPLT00498	Phase Dim (120V only)	120VAC to 700mA, 12W, Class 2	1-1
PPLT00308-P	0-10V Dimming to 0.1%	120-277VAC to 700mA, 30W, Class 2	1-3
PPLT00467-P	0-10V Dimming to 1.0%	120-277VAC to 700mA, 50W, Class 2	1-4
PPLT00538-P	0-10V Dimming to 0.1%	120-277VAC to 700mA, 100W, Class 2	1-12

Suggested Lutron Compatible

Part Number	Option	Lutron SKU	Dim Range	Description	Input/Output	# of Fixtures
PPLT00512	LTEA2W	LTEA	100%-1%	Hi-Lume™ 1% 2-Wire LED Driver (120V forward phase only)	120VAC to 700mA, 14W, Class 2	1-1
PPLT00515	L3DAE / L3DA3W	L3DA	100%-1%	Hi-Lume™ 1% EcoSystem™ or 1% 3-Wire LED Driver	120-277VAC to 700mA, 14W, Class 2	1-1
PPLT00278	LTEA2W	LTEA	100%-1%	Hi-Lume™ 1% 2-Wire LED Driver (120V forward phase only)	120VAC to 700mA, 27W, Class 2	2-3
PPLT00517	L3DAE / L3DA3W	L3DA	100%-1%	Hi-Lume™ 1% EcoSystem™ or 1% 3-Wire LED Driver	120-277VAC to 700mA, 27W, Class 2	2-3
PPLT00510	LTEA2W	LTEA	100%-1%	Hi-Lume™ 1% 2-Wire LED Driver (120V forward phase only)	120VAC to 700mA, 38W, Class 2	3-4
PPLT00181	L3DAE / L3DA3W	L3DA	100%-1%	Hi-Lume™ 1% EcoSystem™ or 1% 3-Wire LED Driver	120-277VAC to 700mA, 38W, Class 2	3-4

For other power supply options consult factory.

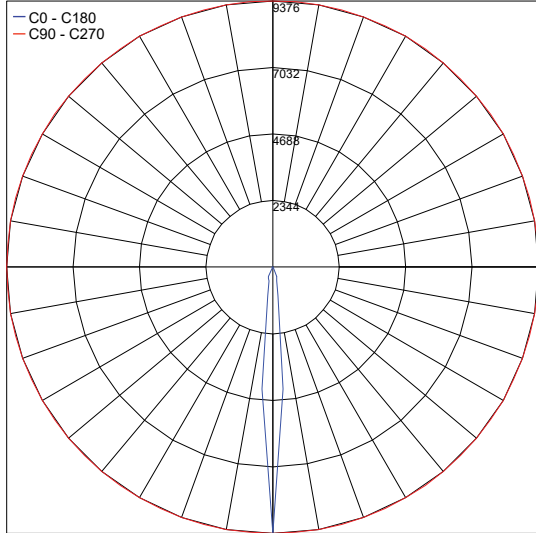
Job Name/Date:

Fixture Type Designation:

PHOTOMETRIC DATA

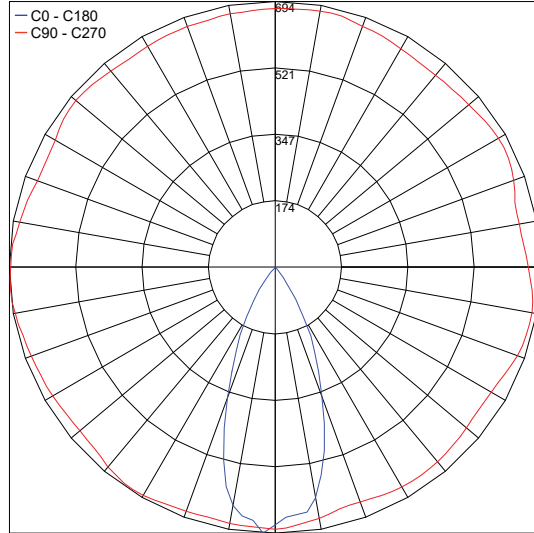
Note: Photometry is 2700K

Maximum Candela = 9376.3



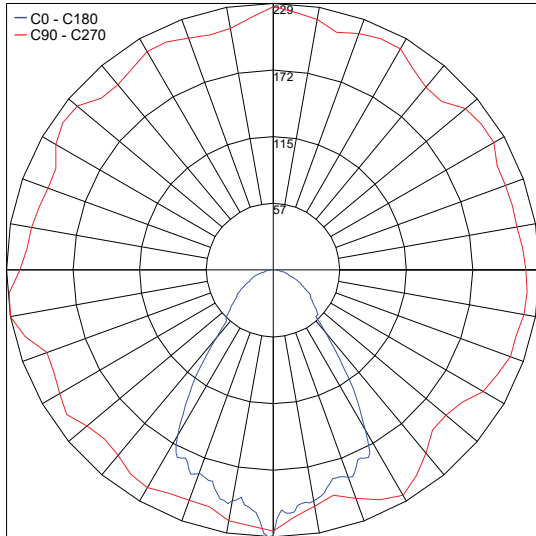
PHOTOMETRIC FILENAME : MINI SCOOP DEIMOS CI 9°..IES

Maximum Candela = 694



PHOTOMETRIC FILENAME : MINI SCOOP DEIMOS CI 38°..IES

Maximum Candela = 229.2



PHOTOMETRIC FILENAME : MINI SCOOP DEIMOS CI 60°..IES

Job Name/Date:

Fixture Type Designation: