



MINI SECRET



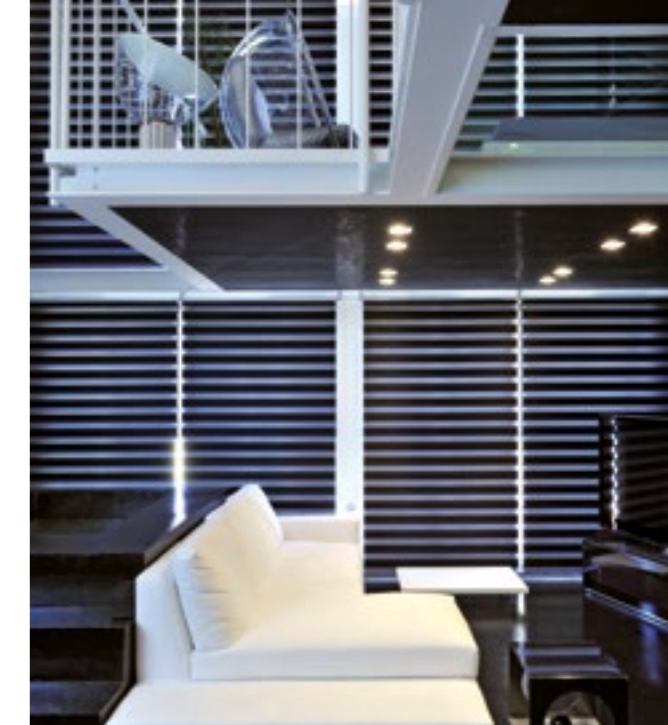
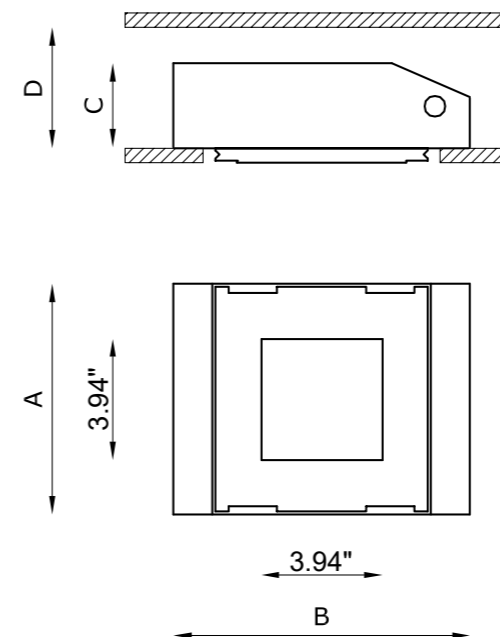
A small treasure chest that guards a bright secret: Mini Secret 10x10, a totally disappearing indoor recessed luminaire made of AirCoral®, installable on plasterboard or brick ceilings, enshrines a light able to enhance furniture and architectures. With precision and linearity, Mini Secret 10x10 creates geometries inside spaces, an essential reference point generating a light that enhances particulars and details inside any environment, with simplicity and elegance.





79 Trenton Avenue
Frenchtown, NJ 08825

www.designplan.com

Tel: (908) 996-7710
Fax: (908) 996-7042



TECHNICAL FEATURES

Code	BU6143.Z.AC.US
Type	Downlight 90° 
Material	AC: AirCoral®
Absorption capacity*	24.75 ft ²
Weight	3.31 lbs
Mounting	Ceiling recessed
IP rating	IP40
Control gear	Constant current electronic driver
Dimensions	A: 7.48"; B: 9.65"; C: 2.76"; D: 3.15"
Cut out for plasterboard	7.48" x 7.28"
Lamp type	LED 500 mA 
Lamp wattage	1 x 10W
Luminous efficacy	105 lm/W - 3000K
Light distribution	Wide beam 40°
Light color	White 3000K
Light hole	3.94" x 3.94"
CRI	>90

* The absorption capacity per ft³ calculated by the American organization TCNA (Tile Council of North America) is measured for an average room of 8.86' in height and therefore expressed in ft²