

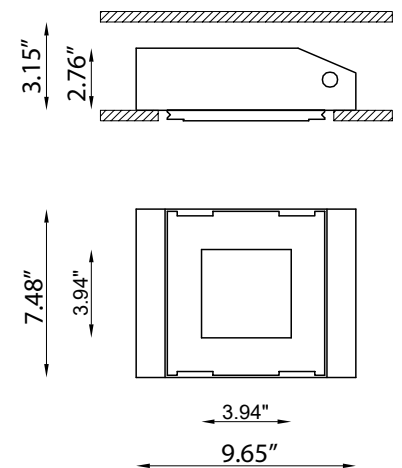
Mini Secret is an indoor recessed downlight made of AirCoral® that is suitable for installation on walls or ceilings. It is available in 3000K with a 40° optic and a 45° / 90° light beam inclination.



TECHNICAL DATA

Wattage / Input	10W (500mA)
Power Supply	Remote, not included. See page 2.
Construction	Body: AirCoral® Lens: Frosted Glass Case: Galvanized Steel
CCT	3000K
CRI	>90
Delivered Lumens	1050 lm
Efficacy	105 lm/W
Optics	40°
Finishes	AirCoral® - suitable for painting
LED Source	Professional COB LED
Fixture Dimensions	9.56" l x 7.48" w x 2.76" h
Cut-out Dimension	7.48" x 7.28"
Aperature	3.94" x 3.94"
Fixture Weight	3.31 lbs
IP Rating	IP40

Fixture Dimensions



The body is made of AirCoral® a unique patented composite material that actually purifies the air. It can be calculated how many cubic feet each fixture will purify. See website for AirCoral® calculator.

Additionally, AirCoral® is:

- Antibacterial.
- Antifungal.
- Scratch-resistant.
- Dust-resistant.
- Suitable for painting.
- LEED recognized material.

ORDERING INFORMATION

Example: BU6143.Z.AC.US. Power Supplies ordered separately.

BU6143.Z	AC	US
Model No.	Finish	
BU6143.Z	AC - AirCoral®	US

Job Name/Date:

Fixture Type Designation:

SUGGESTED POWER SUPPLIES

500mA

Part Number	Description	Input/Output	# of Fixtures
PPLT00187	0-10V Dimming to 10%	120-277VAC to 500mA, 10W, Class 2	1-1
PPLT00469	Phase Dim (120V only)	120VAC to 500mA, 14W, Class 2	1-1
PPLT00467-P	0-10V Dimming to 1.0%	120-277VAC to 500mA, 50W, Class 2	1-2
PPLT00538-P	0-10V Dimming to 0.1%	120-277VAC to 500mA, 100W, Class 2	1-8

Suggested Lutron Compatible

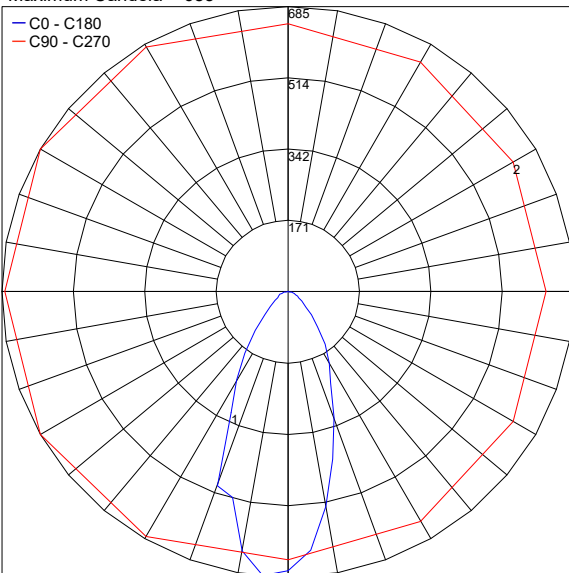
Part Number	Option	Lutron SKU	Dim Range	Description	Input/Output	# of Fixtures
PPLT00259	L3DAE / L3DA3W	L3DA	100%-1%	Hi-Lume™ 1% EcoSystem™ or 1% 3-Wire LED Driver	120-277VAC to 500mA, 10W, Class 2	1-1
PPLT00195	L3DAE / L3DA3W	L3DA	100%-1%	Hi-Lume™ 1% EcoSystem™ or 1% 3-Wire LED Driver	120-277VAC to 500mA, 19W, Class 2	1-1
PPLT00180	L3DAE / L3DA3W	L3DA	100%-1%	Hi-Lume™ 1% EcoSystem™ or 1% 3-Wire LED Driver	120-277VAC to 500mA, 27W, Class 2	2-2

For other power supply options consult factory.

PHOTOMETRIC DATA

Note all Photometry is 3000K

Maximum Candela = 685



Job Name/Date:

Fixture Type Designation: