

MINI SQUARE IP20

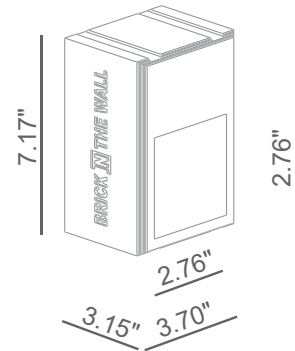
Mini Square are recessed wall luminaires made of Calcyt® plaster that can be used as an uplight or downlight orientation lighting. It is the baby brother of the Normall series and they are available as indoor (IP20), bathroom or outdoor (IP54) versions in 5 color temperatures.



TECHNICAL DATA

Wattage / Input	1W, 2W, 4W (350mA)
Power Supply	Remote, not included. See page 2.
Construction	Body: CALCYT® plaster
CCT	2200K, 2700K, 3000K, 4000K, Royal Blue
CRI	>90 and >80
Delivered Lumens	—
Efficacy	—
Optics	Fixed
Finishes	Paintable Plaster
Fixture Dimensions	3.70" l x 3.15" w x 7.17" h
Cut-out Dimension	4.02" x 7.48"
Aperature	2.76" x 2.76"
Color Consistency	3-Step MacAdam
IP Rating	IP20
JA8	Exempt

Ceiling Cut-Out: 4.02" x 7.48"
Fixture Dimensions



ORDERING INFORMATION

Example: 150 60 200. Accessories / Power Supplies ordered separately.

Model No.	Description	Model No.	Description
150 60 500 - 2200K	1W, 100 lm, CRI 80, IP20 Indoor	150 61 500 - 2200K	4W, 400 lm, CRI 80, IP20 Indoor
150 60 000 - 2700K	1W, 100 lm, CRI 90, IP20 Indoor	150 61 000 - 2700K	4W, 400 lm, CRI 90, IP20 Indoor
150 60 100 - 3000K	1W, 100 lm, CRI 90, IP20 Indoor	150 61 100 - 3000K	4W, 400 lm, CRI 90, IP20 Indoor
150 60 200 - 4000K	1W, 100 lm, CRI 90, IP20 Indoor	150 61 200 - 4000K	4W, 400 lm, CRI 90, IP20 Indoor
150 60 300 - Royal Blue	1W, 100 lm, IP20 Indoor	150 61 300 - Royal Blue	4W, 400 lm, IP20 Indoor
150 62 500 - 2200K	2W, 200 lm, CRI 80, IP20 Indoor		
150 62 000 - 2700K	2W, 200 lm, CRI 90, IP20 Indoor		
150 62 100 - 3000K	2W, 200 lm, CRI 90, IP20 Indoor		
150 62 200 - 4000K	2W, 200 lm, CRI 90, IP20 Indoor		
150 62 300 - Royal Blue	2W, 200 lm, IP20 Indoor		

Job Name/Date:

Fixture Type Designation:

SUGGESTED POWER SUPPLIES

350mA

Part Number	Description	Input/Output	# of Fixtures		
			1W	2W	4W
PPLT00138	0-10V Dimming to 10%	120-277VAC to 350mA, 4W, Class 2	2-3	1-1	N/A
PPLT00468	Phase Dim (120V only)	120VAC to 350mA, 14W, Class 2	4-13	2-6	1-3
PPLT00308-P	0-10V Dimming to 0.1%	120-277VAC to 350mA, 30W, Class 2	1-19	1-9	1-4
PPLT00309-P	0-10V Dimming to 0.1%	120-277VAC to 350mA, 50W, Class 2	1-19	1-9	1-4
PPLT00538-P	0-10V Dimming to 0.1%	120-277VAC to 350mA, 100W, Class 2	1-80	1-40	1-20

Suggested Lutron Compatible

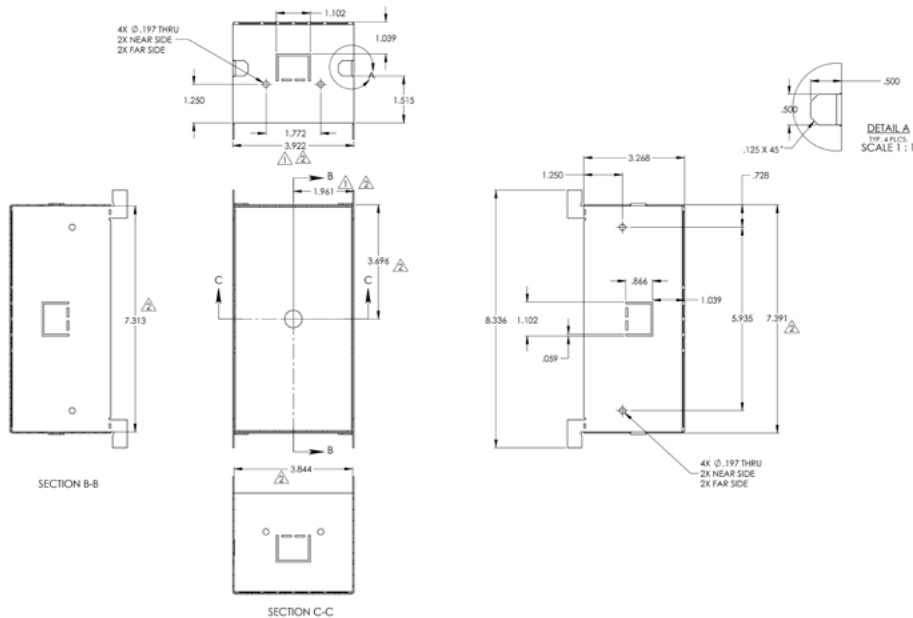
Part Number	Option	Lutron SKU	Dim Range	Description	Input/Output	# of Fixtures		
						1W	2W	4W
PPLT00247	L3DAE / L3DA3W	L3DA	100%-1%	Hi-Lume™ 1% EcoSystem™ or 1% 3-Wire LED Driv.	120-277VAC to 350mA, 7W, Class 2	3-6	2-3	1-1
PPLT00516	L3DAE / L3DA3W	L3DA	100%-1%	Hi-Lume™ 1% EcoSystem™ or 1% 3-Wire LED Driv.	120-277VAC to 350mA, 13W, Class 2	6-13	3-6	2-3
PPLT00179	L3DAE / L3DA3W	L3DA	100%-1%	Hi-Lume™ 1% EcoSystem™ or 1% 3-Wire LED Driv.	120-277VAC to 350mA, 19W, Class 2	11-18	6-9	3-4

For other power supply options consult factory.

REQUIRED ACCESSORIES - Installation

750 01 000

Outer Casing



Job Name/Date:

Fixture Type Designation: