

MIRÒN 16

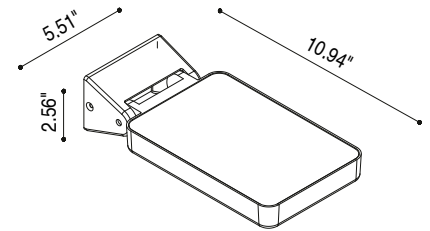
Miròn is an IP65-rated adjustable outdoor floodlight for installation on walls, solid surfaces, or poles. There are 2 sizes - Miròn 16, the smaller with 16 LEDs, and Miròn 24, the larger with 24 LEDs. Miròn is adjustable -20° to +90° and is available in 2 color temps, 5 standard finishes and 4 optical options. Fixture wires to remote junction box (provided by others).



TECHNICAL DATA

Wattage / Input	18.6W (120VAC)
Power Supply	Integral (0-10V Dimming)
Construction	Body: Die-Cast Aluminum Lens: Tempered, Transparent Glass
CCT	2700K, 3000K
CRI	>80
BUG Rating	B2-U1-G0 (50°)
Delivered Lumens	2249 lm (50°, 3000K) 2026 lm (street, 3000K)
Efficacy	120.9 lm/W (50°, 3000K) 108.9 lm/W (street, 3000K)
Optics	30°, 50°, Asymmetric, Street
LED Source	Power LED
Finishes	5 Standard, See Below
Fixture Dimensions	10.94" l x 5.51" w x 2.56" h
IP Rating	IP65
Impact Resistance	IK07

Fixture Dimensions



Fixture wires to remote junction box
(provided by others)

ORDERING INFORMATION

Example: D900511024.US Accessories sold separately, see page 2

D9005				US
Model No.	CCT	Optics	Finish	
D9005	310 - 2700K 110 - 3000K	0 - 30° 1 - 50° 2 - Asymmetric 3 - Street	2 - White 3 - Sand 4 - Graphite 5 - Aluminum 8 - Corten	US

Job Name/Date:

Fixture Type Designation:

ACCESSORIES



Bracket

Ø2.99" L 5.91"
D90214 - Graphite
D90215 - Aluminum



Double Bracket

Ø2.99" L 5.91"
D90234 - Graphite
D90235 - Aluminum



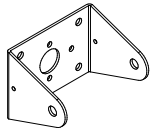
Bracket

Ø2.99" L 15.75"
D90224 - Graphite
D90225 - Aluminum

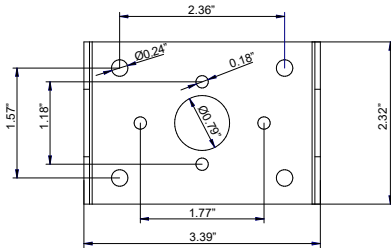


Double Bracket

Ø2.99" L 15.75"
D90244 - Graphite
D90245 - Aluminum



Mounting Plate
INCLUDED

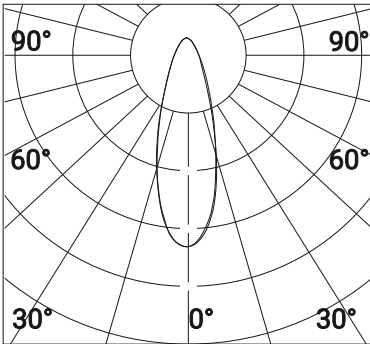


Pole Connector

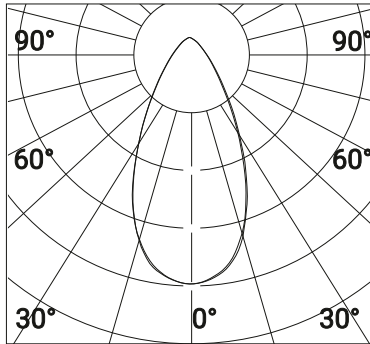
Ø2.36"
D90255 - Aluminum

PHOTOMETRIC DATA

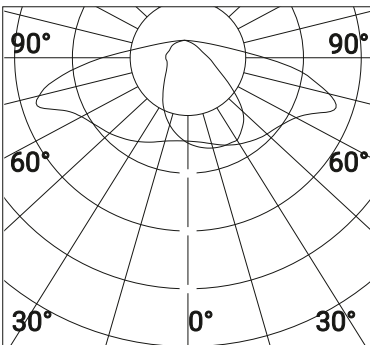
30°



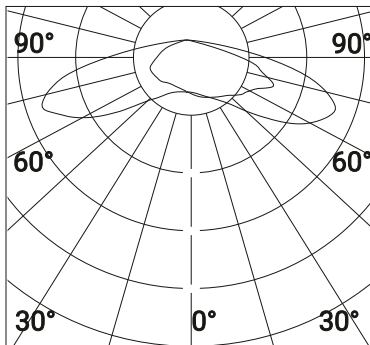
50°



Asymmetric



Street



FINISHES



white



sand



graphite



aluminum



corten

Job Name/Date:

Fixture Type Designation: