

# MOBY P 3.0

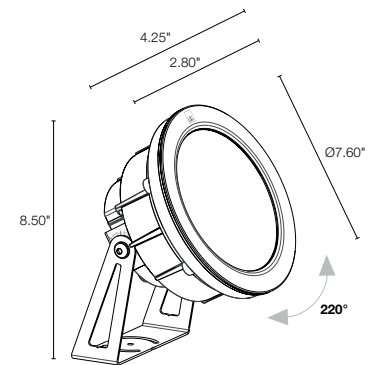
The Moby P series are surface mounted spotlights suitable for underwater applications ONLY which blend green and blue LED colors to create chromotherapy or scenographic effects. It is available in white, RGBW or shades of Cyan with 3 different sizes and wattages and 4 optics options.



## TECHNICAL DATA

<b>Wattage / Input</b>	30W (24VDC)
<b>Power Supply</b>	Remote, not included. See page 2.
<b>Construction</b>	Body: Thermally Conductive Plastic Trim/Bracket: AISI 316L Stainless Steel Lens: Tempered, Transparent, Extra-Clear Glass (0.47" thick)
<b>CCT</b>	2700K, 3000K, 4000K, RGBW, Shades of Cyan
<b>CRI</b>	CRI >80
<b>Delivered Lumens</b>	1876 lm (3000K, 34°); RGBW: 1090 lm (3000K, 34°) (R) 171 lm, (G) 319 lm, (B) 87 lm, (W) 513 lm Cyan: 961 lm (34°)
<b>Efficacy</b>	62.5 lm/W RGBW: 36.3 lm/W Cyan: 32.0 lm/W
<b>Optics</b>	4 Standard (see below)
<b>Finishes</b>	Micro Blasted Stainless Steel
<b>Fixture Dimensions</b>	Ø7.60" x 4.25" l x 8.50" h
<b>Fixture Weight</b>	5.86 lbs
<b>LED Source</b>	5 Power LED Group RGBW: 5 Power LED RGBW Group Cyan: 5 Power LED Cyan Group
<b>Lumen Maintenance</b>	L90, B10 >50,000hrs (Ta 25°C)
<b>Color Consistency</b>	2-Step MacAdam
<b>Operating Temp.</b>	-4°F to +113°F
<b>IP Rating</b>	IP68
<b>IK Rating</b>	IK10

Fixture Dimensions



**FOR UNDERWATER USE ONLY**  
**Max Submersion Depth 32.8'**

## ORDERING INFORMATION

Example: MP30009WI. Accessories / Power Supplies ordered separately.

MP3000			I
Model No.	CCT	Optics	Finish
MP3000	F - 2700K 5 - 3000K 9 - 4000K 7 - RGBW Y - Shades of Cyan	S - 22° M - 34° L - 62° W - 31°x64°	I - Stainless Steel

Job Name/Date:

Fixture Type Designation:

## SUGGESTED POWER SUPPLIES

STATIC WHITE - 24VDC (FOR USE WITH FOUNTAIN / WATER FEATURES)

Part Number	Description	Input/Output	# of Fixtures
<a href="#">FPV-100000024</a>	Non-Dim	120-277VAC to 24VDC, 100W, Class 2	1-2
<a href="#">FPV-100100024</a>	0-10V Dimming to 1.0%	120-277VAC to 24VDC, 100W, Class 2	1-2

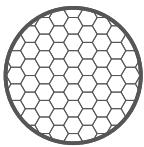
RGBW / CYAN - 24VDC (FOR USE WITH FOUNTAIN / WATER FEATURES)

Part Number	Description	Input/Output	# of Fixtures
<a href="#">FPV-100EL0024</a>	DMX / RDM (Field Addressable) / DALI	120-277VAC to 24VDC, 100W	1 - 2

For other power supply options consult factory.

## ACCESSORIES

### Anti-Glare



#### WH0403

Honeycomb Louvre

\*Order together with lighting fixture

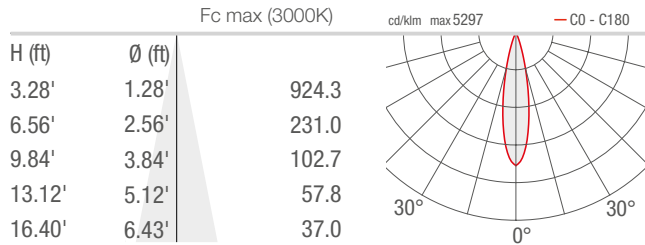
Job Name/Date:

Fixture Type Designation:

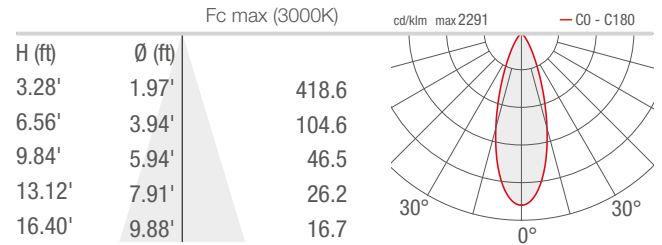
## PHOTOMETRIC DATA

Note all photometry in 3000K, CRI 80

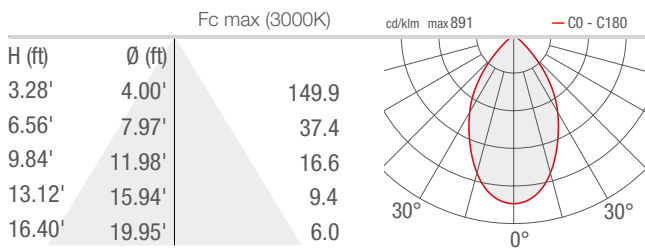
### S - 22°



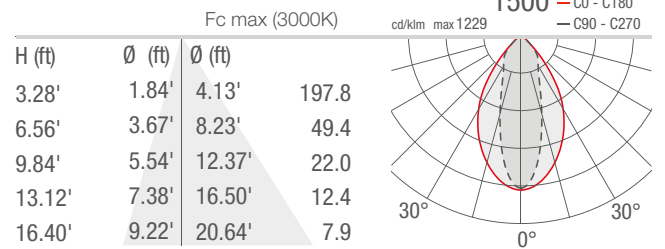
### M - 34°



### L - 62°



### W - 31°x64°



Job Name/Date:

Fixture Type Designation: