

MODULO A

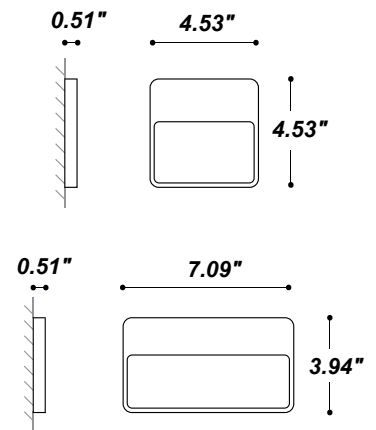
Modulo A is a wall mounted fixture made of die-cast aluminum and a polycarbonate lens that comes with either a silver or gold luminous reflector. It is available in 2 sizes and 5 standard finishes in polyester powder paint with a protective chemical treatment. ADA Compliant.



TECHNICAL DATA

Wattage / Input	2W (Square), 4.5W (Rectangle)
Power Supply	Remote 24VDC
Construction	Body: Die-Cast Aluminum Lens: Polycarbonate Paint: Double Layer Polyester Powder Coat and Protective Chemical Treatment Cable Length: 3.94"
CCT	2700K, 3000K, 4000K
BUG Rating	B0-U1-G0 (3000K)
Delivered Lumens	101 lm (2W Sq., Silver), 105 lm (2W Sq., Gold) 195 lm (4.5W Rect., Silver), 199 lm (4.5W Rect., Gold)
Efficacy	35 lm/W (2W Sq., Silver), 36 lm/W (2W Sq., Gold) 36 lm/W (4.5W Rect., Silver), 37 lm/W (4.5W Rect., Gold)
Optics	Fixed - Downward Grazing
LED Source	Mid Power LEDs
Finishes	White, Sand, Graphite, Aluminum, Corten
Fixture Dimensions	Square 4.53" x 4.53" Rectangle 7.09" x 3.94"
IP Rating	IP65
Impact Resistance	IK06

Fixture Dimensions



ORDERING INFORMATION

Example: D900611005.US Power Supplies and Accessories ordered separately - see page 2.

D9006				US
Model No.	CCT	Shape	Finish	
D9006	310 - 2700K	0 - Square (2W)	2 - White	US
<i>includes silver luminous reflector - gold ordered separately (see page 2)</i>	110 - 3000K	1 - Rectangle (4.5W)	3 - Sand	
	210 - 4000K		4 - Graphite	
			5 - Aluminum	
			8 - Corten	

Job Name/Date:

Fixture Type Designation:

SUGGESTED POWER SUPPLIES

24VDC

Part Number	Description	Input/Output	# of Fixtures	
			2W	4.5W
PPLT00128	Non-Dim	120VAC to 24VDC, 6W, Class 2, IP65	1-2	1-1
PPLT00632	0-10V Dimming (Dim to Off)	120-277VAC to 24VDC, 12W, Class 2	1-4	1-2
PPLT00155	Non-Dim	120VAC to 24VDC, 30W, Class 2	1-12	1-5
PPLT00586	Non-Dim	120-277VAC to 24VDC, 40W, Class 2	1-16	1-7
PPLT00709	ELV / TRIAC & 0-10V Dimming	120-277VAC to 24VDC, 96W, Class 2, DAMP	1-38	1-17
PPLT00543	0-10V Dimming to 15% (-40°C / -40°F cold weather start)	120-277VAC to 24VDC, 100W, Class 2	5-40	3-17

Suggested Lutron Compatible

Part Number	Option	Lutron SKU	Dim Range	Description	Input/Output	# of Fixtures	
						2W	4.5W
PPLT00273	L3DAE / L3DA3W	L3DA	100%-1%	Hi-Lume™ 1% EcoSystem™ or 1% 3-Wire LED Driver	120-277VAC to 24VDC, 40W, Class 2	1-16	1-7
PPLT00530	L3DAE / L3D0	L3DA/L3D0	100%-1%	Hi-Lume™ 0.1% EcoSystem™ or 3-Wire LED Driver	120-277VAC to 24VDC, 96W, Class 2	1-38	1-17

For other power supply options consult factory.

FINISHES



white



sand



graphite

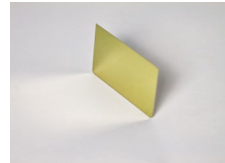


aluminum

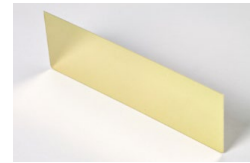


corten

ACCESSORIES

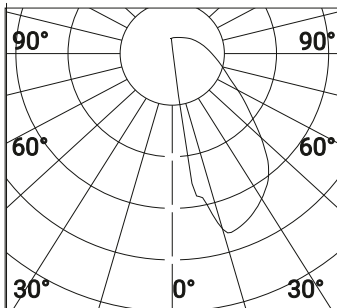


D9038
Gold Shield - Square

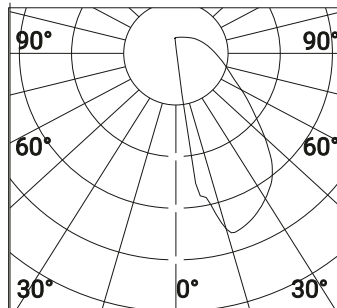


D9039
Gold Shield - Rectangle

PHOTOMETRIC DATA



Square



Rectangular

Job Name/Date:

Fixture Type Designation: