

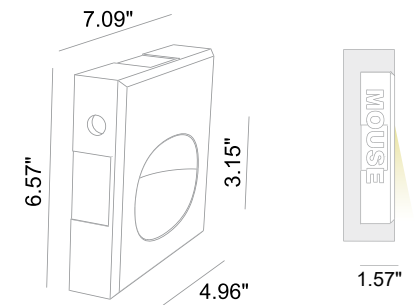
# MOUSE+ IP54

## BATHROOM

Mouse+ is an organically-shaped recessed orientation light made of fully paintable Calcyt® plaster. It is different than the regular Mouse in its gentle, curved edges. It is available in an indoor (IP20), bathroom or outdoor (IP54) version in 5 color temperatures and 2 wattages. Mouse+ can be directly installed in solid walls as well as in gypsum with an optional plasterkit.



Ceiling Cut-Out: 7.28" x 6.77"  
Fixture Dimensions



### TECHNICAL DATA

<b>Wattage / Input</b>	1W, 2W (350mA)
<b>Power Supply</b>	Remote, not included. See page 2.
<b>Construction</b>	Body: CALCYT® plaster
<b>CCT</b>	2200K, 2700K, 3000K, 4000K, Royal Blue
<b>CRI</b>	>80, >90
<b>Delivered Lumens</b>	30 lm (1W, 3000K)
<b>Efficacy</b>	30 lm/W
<b>Optics</b>	Fixed
<b>Finishes</b>	Paintable Plaster
<b>Fixture Dimensions</b>	7.09" l x 1.57" w x 6.57" h
<b>Cut-out Dimension</b>	7.28" x 6.77"
<b>Aperture</b>	4.96" x 3.15"
<b>Color Consistency</b>	3-Step MacAdam
<b>IP Rating</b>	IP54
<b>JA8</b>	Exempt

### ORDERING INFORMATION

*Example: 147 60 201. Accessories / Power Supplies ordered separately.*

Model No.	Description
147 60 501 - 2200K	1W, 100 lm, CRI 80, IP54 Bathroom
147 60 001 - 2700K	1W, 100 lm, CRI 90, IP54 Bathroom
147 60 101 - 3000K	1W, 100 lm, CRI 90, IP54 Bathroom
147 60 201 - 4000K	1W, 100 lm, CRI 90, IP54 Bathroom
147 60 301 - Royal Blue	1W, 100 lm, IP54 Bathroom
147 62 501 - 2200K	2W, 200 lm, CRI 80, IP54 Bathroom
147 62 001 - 2700K	2W, 200 lm, CRI 90, IP54 Bathroom
147 62 101 - 3000K	2W, 200 lm, CRI 90, IP54 Bathroom
147 62 201 - 4000K	2W, 200 lm, CRI 90, IP54 Bathroom
147 62 301 - Royal Blue	2W, 200 lm, IP54 Bathroom

Job Name/Date:

Fixture Type Designation:

### SUGGESTED POWER SUPPLIES

350mA

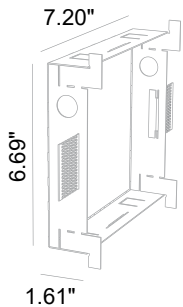
Part Number	Description	Input/Output	# of Fixtures	
			1W	2W
<a href="#">PPLT00138</a>	0-10V Dimming to 10%	120-277VAC to 350mA, 4W, Class 2	2-3	1-1
<a href="#">PPLT00468</a>	Phase Dim (120V only)	120VAC to 350mA, 14W, Class 2	4-13	2-6
<a href="#">PPLT00308-P</a>	0-10V Dimming to 0.1%	120-277VAC to 350mA, 30W, Class 2	1-19	1-9
<a href="#">PPLT00309-P</a>	0-10V Dimming to 0.1%	120-277VAC to 350mA, 50W, Class 2	1-19	1-9
<a href="#">PPLT00538-P</a>	0-10V Dimming to 0.1%	120-277VAC to 350mA, 100W, Class 2	1-80	1-40

### Suggested Lutron Compatible

Part Number	Option	Lutron SKU	Dim Range	Description	Input/Output	# of Fixtures	
						1W	2W
<a href="#">PPLT00247</a>	L3DAE / L3DA3W	L3DA	100%-1%	Hi-Lume™ 1% EcoSystem™ or 1% 3-Wire LED Driver	120-277VAC to 350mA, 7W, Class 2	3-6	2-3
<a href="#">PPLT00516</a>	L3DAE / L3DA3W	L3DA	100%-1%	Hi-Lume™ 1% EcoSystem™ or 1% 3-Wire LED Driver	120-277VAC to 350mA, 13W, Class 2	6-13	3-6
<a href="#">PPLT00179</a>	L3DAE / L3DA3W	L3DA	100%-1%	Hi-Lume™ 1% EcoSystem™ or 1% 3-Wire LED Driver	120-277VAC to 350mA, 19W, Class 2	11-18	6-9

For other power supply options consult factory.

### ACCESSORIES - Installation

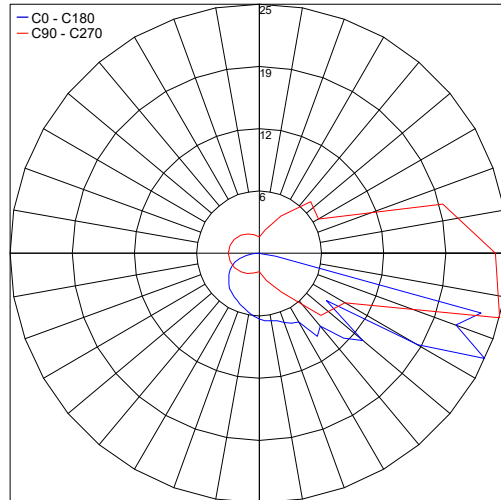


**747 01 000**  
Outer Casing  
Housing: perforated aluminum

### PHOTOMETRIC DATA

Note all Photometry is 3000K

Maximum Candela = 24.9



Job Name/Date:

Fixture Type Designation: