

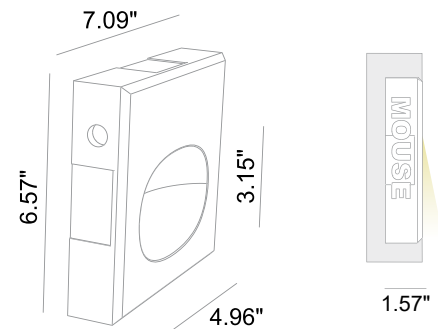
MOUSE+ IP54

OUTDOOR

Mouse+ is an organically-shaped recessed orientation light made of fully paintable Calcyt® plaster. It is different than the regular Mouse in its gentle, curved edges. It is available in an indoor (IP20), bathroom or outdoor (IP54) version in 5 color temperatures and 2 wattages. Mouse+ can be directly installed in solid walls as well as in gypsum with an optional plasterkit.



Ceiling Cut-Out: 7.28" x 6.77"
Fixture Dimensions



TECHNICAL DATA

Wattage / Input	1W, 2W (350mA)
Power Supply	Remote, not included. See page 2.
Construction	Body: CALCYT® plaster
CCT	2200K, 2700K, 3000K, 4000K, Royal Blue
CRI	>80, >90
Delivered Lumens	30 lm (1W, 3000K)
Efficacy	30 lm/W
Optics	Fixed
Finishes	Paintable Plaster
Fixture Dimensions	7.09" l x 1.57" w x 6.57" h
Cut-out Dimension	7.28" x 6.77"
Aperture	4.96" x 3.15"
Color Consistency	3-Step MacAdam
IP Rating	IP54
JA8	Exempt

ORDERING INFORMATION

Example: 147 60 205. Accessories / Power Supplies ordered separately.

--

Model No.	Description
147 60 505 - 2200K	1W, 100 lm, CRI 80, IP54 Outdoor
147 60 005 - 2700K	1W, 100 lm, CRI 90, IP54 Outdoor
147 60 105 - 3000K	1W, 100 lm, CRI 90, IP54 Outdoor
147 60 205 - 4000K	1W, 100 lm, CRI 90, IP54 Outdoor
147 60 305 - Royal Blue	1W, 100 lm, IP54 Outdoor
147 62 505 - 2200K	2W, 200 lm, CRI 80, IP54 Outdoor
147 62 005 - 2700K	2W, 200 lm, CRI 90, IP54 Outdoor
147 62 105 - 3000K	2W, 200 lm, CRI 90, IP54 Outdoor
147 62 205 - 4000K	2W, 200 lm, CRI 90, IP54 Outdoor
147 62 305 - Royal Blue	2W, 200 lm, IP54 Outdoor

Job Name/Date:

Fixture Type Designation:

SUGGESTED POWER SUPPLIES

350mA

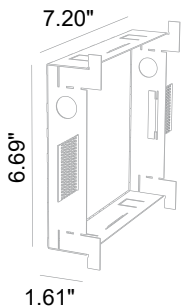
Part Number	Description	Input/Output	# of Fixtures	
			1W	2W
PPLT00138	0-10V Dimming to 10%	120-277VAC to 350mA, 4W, Class 2	2-3	1-1
PPLT00468	Phase Dim (120V only)	120VAC to 350mA, 14W, Class 2	4-13	2-6
PPLT00309-P	0-10V Dimming to 0.1%	120-277VAC to 350mA, 50W, Class 2	1-19	1-9
PPLT00561-P	0-10V Dimming to 0.1%	120-277VAC to 350mA, 100W, Class 2	2-20	1-10

Suggested Lutron Compatible

Part Number	Option	Lutron SKU	Dim Range	Description	Input/Output	# of Fixtures	
						1W	2W
PPLT00247	L3DAE / L3DA3W	L3DA	100%-1%	Hi-Lume™ 1% EcoSystem™ or 1% 3-Wire LED Driver	120-277VAC to 350mA, 7W, Class 2	3-6	2-3
PPLT00516	L3DAE / L3DA3W	L3DA	100%-1%	Hi-Lume™ 1% EcoSystem™ or 1% 3-Wire LED Driver	120-277VAC to 350mA, 13W, Class 2	6-13	3-6
PPLT00179	L3DAE / L3DA3W	L3DA	100%-1%	Hi-Lume™ 1% EcoSystem™ or 1% 3-Wire LED Driver	120-277VAC to 350mA, 19W, Class 2	11-18	6-9

For other power supply options consult factory.

ACCESSORIES - Installation

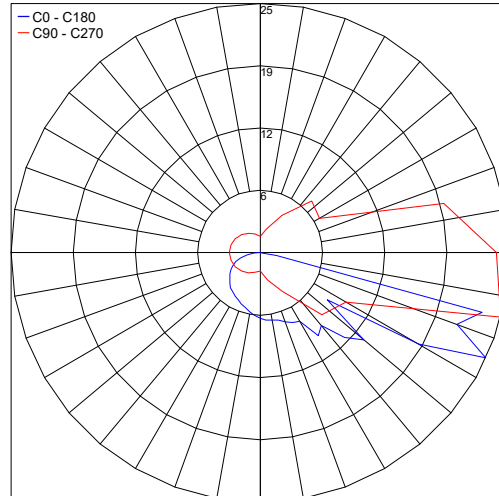


747 01 000 - REQUIRED
Outer Casing
Housing: perforated aluminum

PHOTOMETRIC DATA

Note all Photometry is 3000K

Maximum Candela = 24.9



Job Name/Date:

Fixture Type Designation: