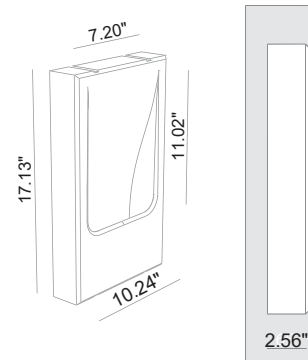


Move In is a recessed wall luminaire for indoor installation that has a rounded, soft edge design which allows for flat integration into the wall, and is especially fit for integration in more traditional and classic interiors.



Wall Cut-Out: 10.43" x 17.32"  
Fixture Dimensions



## TECHNICAL DATA

<b>Wattage / Input</b>	6W, 6.5W, 6.8W (350mA)
<b>Power Supply</b>	Remote, not included. See page 2.
<b>Construction</b>	Body: CALCYT® Plaster
<b>CCT</b>	2200K, 2700K, 3000K, 4000K, WarmDim
<b>CRI</b>	>80 and >90
<b>Delivered Lumens</b>	1000 lm (3000K)
<b>Efficacy</b>	147.1 lm/W
<b>Optics</b>	Fixed
<b>Finishes</b>	Paintable Plaster
<b>Fixture Dimensions</b>	10.24" l x 2.56" w x 17.13" h
<b>Cut-out Dimension</b>	10.43" x 17.32"
<b>Color Consistency</b>	2-Step MacAdam, 4-Step MacAdam (WarmDim)
<b>IP Rating</b>	IP20

## ORDERING INFORMATION

*Example: 122 71 500. Accessories / Power Supplies ordered separately.*

--

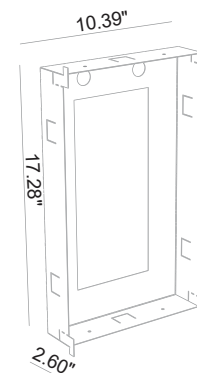
Model No.	Description
122 71 500 - 2200K (6.5W 600 lm)	Phase Dim Incl. Line Voltage LED Driver
122 71 000 - 2700K (6.5W 600 lm)	Phase Dim Incl. Line Voltage LED Driver
122 71 100 - 3000K (6.5W 600 lm)	Phase Dim Incl. Line Voltage LED Driver
122 61 500 - 2200K (6.5W 600 lm)	0-10V Dim Incl. Line Voltage LED Driver
122 61 000 - 2700K (6.5W 600 lm)	0-10V Dim Incl. Line Voltage LED Driver
122 61 100 - 3000K (6.5W 600 lm)	0-10V Dim Incl. Line Voltage LED Driver
122 73 000 - 2700K (6.8W 1000 lm)	Phase Dim Incl. Line Voltage LED Driver
122 73 100 - 3000K (6.8W 1000 lm)	Phase Dim Incl. Line Voltage LED Driver
122 73 200 - 4000K (6.8W 1000 lm)	Phase Dim Incl. Line Voltage LED Driver
122 63 000 - 2700K (6.8W 1000 lm)	0-10V Dim Incl. Line Voltage LED Driver
122 63 100 - 3000K (6.8W 1000 lm)	0-10V Dim Incl. Line Voltage LED Driver
122 63 200 - 4000K (6.8W 1000 lm)	0-10V Dim Incl. Line Voltage LED Driver
122 71 600 - WarmDim (6W 500 lm)	Phase Dim Incl. Line Voltage LED Driver
122 61 600 - WarmDim (6W 500 lm)	0-10V Dim Incl. Line Voltage LED Driver

## SUGGESTED POWER SUPPLIES

*Consult Factory*

## REQUIRED ACCESSORIES

### Installation



**722 01 000**  
Outer Casing  
Housing -  
perforated aluminum

Job Name/Date:

Fixture Type Designation: