

Nastro is a totally disappearing bidirectional semi-recessed luminaire made of AirCoral® that is suitable for indoor installation on walls or ceilings. It is available in 3000K as standard with a 120° optic.



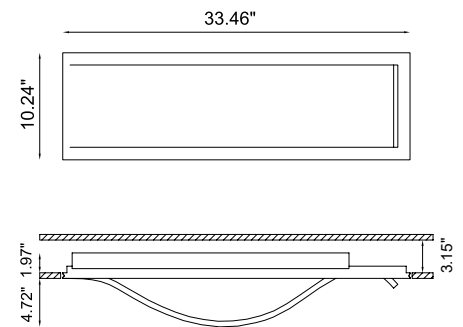
TECHNICAL DATA

Wattage / Input	2 x 6.5W (350mA)
Power Supply	Remote, not included. See page 2.
Construction	Body: AirCoral® Lens: Extra White Satin Glass
CCT	3000K (2700K, 4000K on request)
CRI	>90
Delivered Lumens	810 lm per beam (3000K)
Efficacy	124.6 lm/W per beam
Optics	120°
Finishes	AirCoral®
Fixture Dimensions	33.46" l x 10.24" w x 6.69" h
Cut-out Dimension	33.86" x 10.63"
Fixture Weight	24.25 lbs
IP Rating	IP40

The body is made of AirCoral® a unique patented composite material that actually purifies the air. It can be calculated how many cubic feet each fixture will purify. See website for AirCoral® calculator.

- Additionally, AirCoral® is:
- Antibacterial.
 - Antifungal.
 - Scratch-resistant.
 - Dust-resistant.
 - Suitable for painting.
 - LEED recognized material.

Fixture Dimensions



ORDERING INFORMATION

Example: BU2979.AC.US. Power Supplies ordered separately.

BU2979	AC	US
Model No.	Finish	
BU2979	AC - AirCoral®	US

Job Name/Date:

Fixture Type Designation:

SUGGESTED POWER SUPPLIES

350mA

Part Number	Description	Input/Output	# of Fixtures
PPLT00468	Phase Dim (120V Only)	120VAC to 350mA, 14W, Class 2	1-1
PPLT00465-P	0-10V Dimming to 1.0%	120-277VAC to 350mA, 20W, Class 2	1-1
PPLT00168-P	0-10V Dimming to 1.0%	120-277VAC to 350mA, 50W, Class 2	1-2
PPLT00538-P	0-10V Dimming to 0.1%	120-277VAC to 350mA, 100W, Class 2	1-4

Suggested Lutron Compatible

Part Number	Option	Lutron SKU	Dim Range	Description	Input/Output	# of Fixtures
PPLT00516	L3DAE / L3DA3W	L3DA	100%-1%	Hi-Lume™ 1% EcoSystem™ or 1% 3-Wire LED Driver	120VAC to 350mA, 13W, Class 2	1-1
PPLT00179	L3DAE / L3DA3W	L3DA	100%-1%	Hi-Lume™ 1% EcoSystem™ or 1% 3-Wire LED Driver	120-277VAC to 350mA, 19W, Class 2	1-1

For other power supply options consult factory.

Job Name/Date:

Fixture Type Designation: