

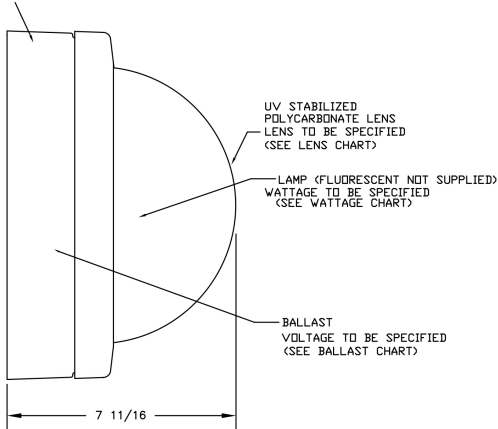


- Low copper alloy cast aluminum body
- UV stabilized polycarbonate lens
- Low copper alloy cast aluminum grill
- CSA listed wet label IP55
- Metal halide units supplied with open fixture lamps
- Metal halide available as integral ballast with body extension

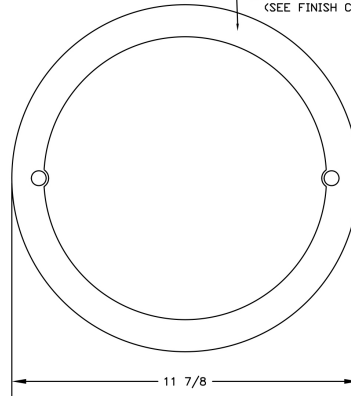
nebular



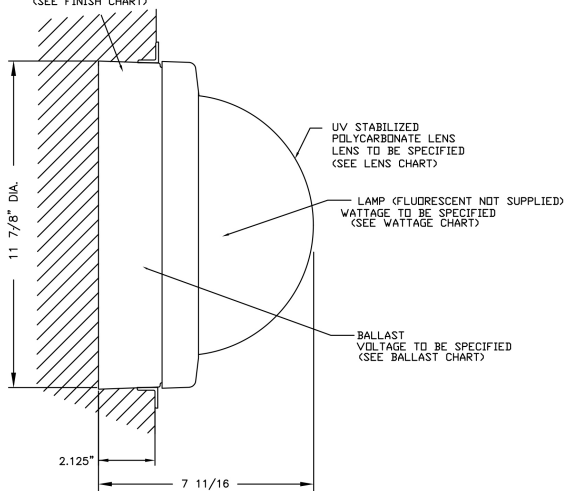
CAST ALUMINUM BODY
POLYESTER POWDER COATED
COLOR TO BE SPECIFIED
(SEE FINISH CHART)



CAST ALUMINUM GUARD
POLYESTER POWDER COATED
COLOR TO BE SPECIFIED
(SEE FINISH CHART)



CAST ALUMINUM BODY
POLYESTER POWDER COATED
COLOR TO BE SPECIFIED
(SEE FINISH CHART)



CAST ALUMINUM GUARD
POLYESTER POWDER COATED
COLOR TO BE SPECIFIED
(SEE FINISH CHART)

