

NEFI



RECESSED FITTING WITH REAR GLASS, MAXIMUM INVISIBILITY.

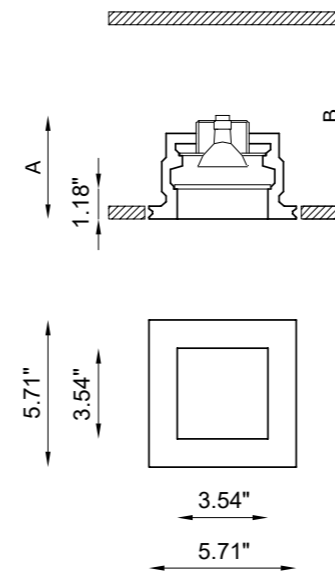
A light beam that breaks darkness, establishing a new balance inside the living space. Light and shadows alternate, playing with furniture, creating atmospheres with a unique and delicate charm: Nefi, a totally disappearing indoor recessed luminaire made of AirCoral®, installable on plasterboard or brick ceilings, is equipped with a satined glass, creating a harmonious diffusion of light. Design and technology, geometry and elegance to flood the space with bright light.



79 Trenton Avenue
Frenchtown, NJ 08825

www.designplan.com

Tel: (908) 996-7710
Fax: (908) 996-7042



TECHNICAL FEATURES

Code	BU6218.Z.AC
Type	Downlight 90°
Material	AC: AirCoral®
Absorption capacity*	43.81 ft²
Weight	3.53 lbs
Mounting	Ceiling recessed
IP rating	IP40
Control gear	Constant current electronic driver (not included)
Dimensions	A: 5.51"; B: 6.30"
Cut out for plasterboard	6.10" x 6.10"
Lamp type	LED 500mA ⚡ V: 18 VDC
Lamp wattage	10W
Luminous efficacy	1125 lm - 3000K
Light distribution	Wide beam 40°
Fitting	-
Light colour	White 3000K White 2700K 4000K (on request)
Light hole	3.54" x 3.54"
Voltage connection	By driver (optional)
CRI	>90
Note	Extra white satin glass. Frosted glass recessed 1.18" into the ceiling.

* The absorption capacity per m² calculated by the American organization TCNA (Tile Council of North America) is measured for an average room of 2,7 m in height and therefore expressed in m²



Private villa - ph. T. Pagani - Lugano