

# NEVA 3 RECESSED

## NEVA 3.0, 3.1, 3.2

The Neva 3 series are linear profiles with deep-set optics and a built-in power supply which has an in-out connection system so that the fixtures can be installed in a line. Available in 3 different lengths with in-grade housing for recessed applications or adjustable brackets for surface mount. Neva are perfect for architectural lighting in both indoor and outdoor applications.



### TECHNICAL DATA

<b>Wattage / Input</b>	See Chart on page 2 (120VAC)
<b>Power Supply</b>	Integral - On/Off or 0-10V (only on 3.0, 3.1, not 3.2)
<b>Construction</b>	Body: Black Anodized Aluminum Lens: Serigraphed, Tempered, Transparent, Extra-clear Glass
<b>CCT</b>	2700K, 3000K, 4000K
<b>CRI</b>	>80
<b>Delivered Lumens</b>	See Chart on page 2.
<b>Efficacy</b>	62-66 lm/W
<b>Optics</b>	11°, 30°, 45°, 10°x40°
<b>Finishes</b>	Black Anodized Aluminum
<b>Cut-Out Dimensions</b>	See Chart on page 2.
<b>Fixture Dimensions</b>	See Chart on page 2.
<b>Fixture Weight</b>	See Chart on page 2.
<b>LED Source</b>	See Chart on page 2.
<b>Lumen Maintenance</b>	L85, B10>50,000hrs (Ta 25°C)
<b>Color Consistency</b>	3-Step MacAdam
<b>Operating Temp.</b>	-4°F to +113°F
<b>IP Rating</b>	IP65, IP67
<b>Impact Rating</b>	IK08

### ORDERING INFORMATION

Example: NV30100V01F0SN. Accessories ordered separately.

					N
<b>Model No.</b>	<b>Control System</b>	<b>Optical Accessory</b>	<b>CCT</b>	<b>Optics</b>	<b>Finish</b>
NV3010 - Neva 3.0 (23W)	000 - ON/OFF	0 - None	F0 - 2700K	S - 11°	N - Black
NV3110 - Neva 3.1 (39W)	0V0 - 0-10V	1 - Honeycomb Louvre	50 - 3000K	M - 30°	Anodized
NV3210 - Neva 3.2 (64W)	0-10V only available on Neva 3.0 and 3.1, not on 3.2		90 - 4000K	L - 45°	
				W - 10°x40°	

Job Name/Date:

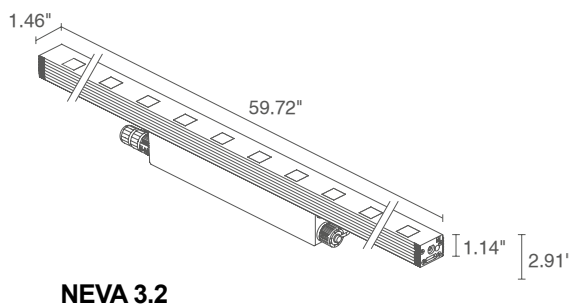
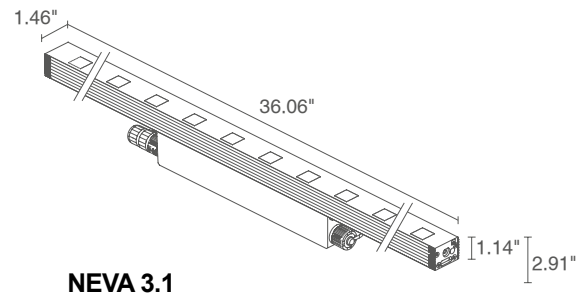
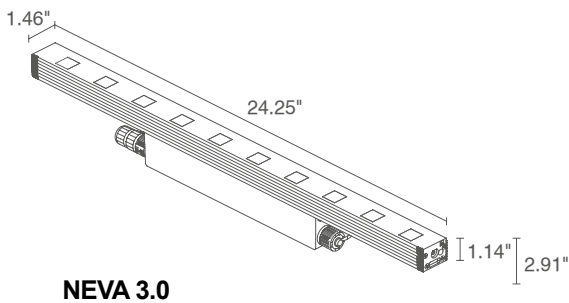
Fixture Type Designation:

# NEVA 3 RECESSED

## NEVA 3.0, 3.1, 3.2

### TECHNICAL DATA

	NEVA 3.0	NEVA 3.1	NEVA 3.2
<b>Wattage</b>	23W	39W	64W
<b>Delivered Lumens (3000K)</b>	1610 lm (3000K, 30°)	2401 lm (3000K, 30°)	4025 lm (3000K, 30°)
<b>Fixture Dim. (l,w,h)</b>	24.25" x 1.46" x 2.91"	36.06" x 1.46" x 2.91"	59.72" x 1.46" x 2.91"
<b>Alum. Housing Dim. (l,w,h) &amp; Cut-Out Size (l,w)</b>	24.49" x 1.65" x 3.31" same as housing	36.30" x 1.65" x 3.31" same as housing	59.92" x 1.65" x 3.31" same as housing
<b>Alum Housing Dim. (l,w,h) (for plasterboard) &amp; Cut-Out Size (l,w)</b>	24.49" x 1.65" x 3.31" same as housing	36.30" x 1.65" x 3.31" same as housing	59.92" x 1.65" x 3.31" same as housing
<b>Fixture Weight</b>	3.53 lbs	4.63 lbs	7.05 lbs
<b>LED Source</b>	10 power LEDs, LED spacing 2.36"	15 power LEDs, LED spacing 2.36"	25 power LEDs, LED spacing 2.36"



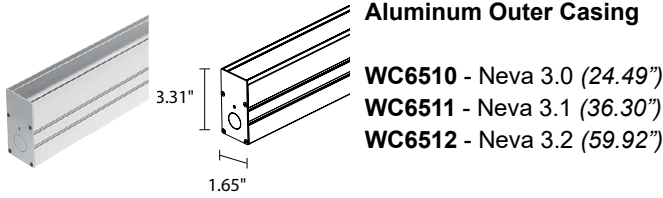
Job Name/Date:

Fixture Type Designation:

# NEVA 3 RECESSED

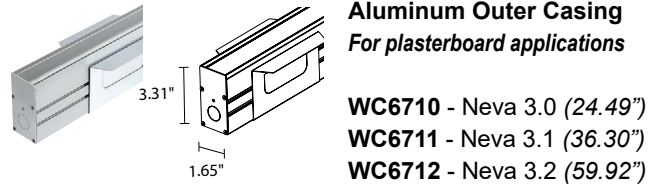
NEVA 3.0, 3.1, 3.2

## ACCESSORIES - Installation



### Aluminum Outer Casing

**WC6510** - Neva 3.0 (24.49")  
**WC6511** - Neva 3.1 (36.30")  
**WC6512** - Neva 3.2 (59.92")



### Aluminum Outer Casing For plasterboard applications

**WC6710** - Neva 3.0 (24.49")  
**WC6711** - Neva 3.1 (36.30")  
**WC6712** - Neva 3.2 (59.92")



**WN6005 - Alignment Kit**  
For Aluminum Outer Casings



**WFA01**  
4-pin male connector  
for in/out connection (0/1-10V  
version - 3.0 or 3.1) IP68



**WN6001 - Fixture Anti Fall Kit**  
Optional for Ceiling (and if  
desired Wall) Installations

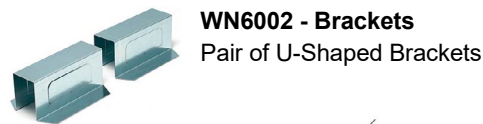
## Anti-Glare



**Anti-Glare Shield**  
Stainless steel painted black

**WB6510** - Neva 3.0 (24.09")  
**WB6511** - Neva 3.1 (35.91")  
**WB6512** - Neva 3.2 (59.57")

## Spare Parts



**WN6002 - Brackets**  
Pair of U-Shaped Brackets



**WN6003 - Springs**  
Pair of Spring



**WN6006 - Extractors**  
Pair of extractors for outer casings

Job Name/Date:

Fixture Type Designation:

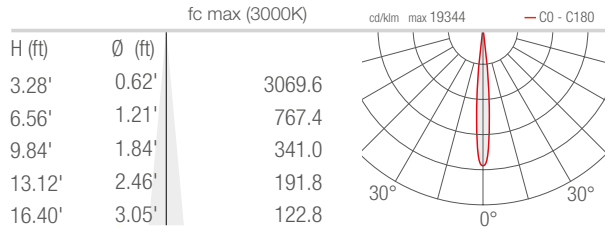
# NEVA 3 RECESSED

## NEVA 3.0, 3.1, 3.2

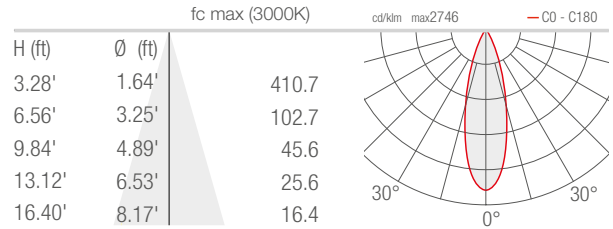
### PHOTOMETRIC DATA

Note all Photometry is CRI 80, 3000K

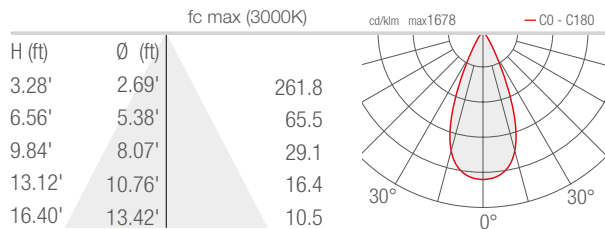
#### S - 11°



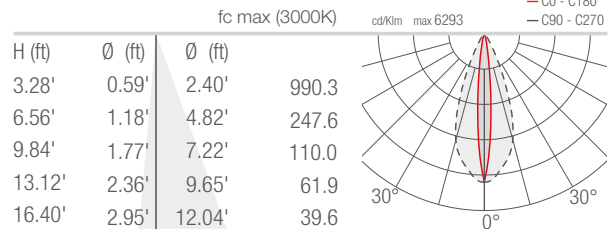
#### M - 30°



#### L - 45°



#### W - 10°x40°



Job Name/Date:

Fixture Type Designation: