

NEVA 3 SURFACE

NEVA 3.0, 3.1, 3.2

The Neva 3 series are linear profiles with deep-set optics and a built-in power supply which has an in-out connection system so that the fixtures can be installed in a line. Available in 3 different lengths with in-grade housing for recessed applications or adjustable brackets for surface mount. Neva are perfect for architectural lighting in both indoor and outdoor applications.



TECHNICAL DATA

Wattage / Input	See Chart on page 2 (120VAC)
Power Supply	Integral - On/Off or 0-10V (only on 3.0, 3.1, not 3.2)
Construction	Body: Black Anodized Aluminum Lens: Serigraphed, Tempered, Transparent, Extra-clear Glass
CCT	2700K, 3000K, 4000K
CRI	>80
Delivered Lumens	See Chart on page 2.
Efficacy	62-66 lm/W
Optics	11°, 30°, 45°, 10°x40°
Finishes	Black Anodized Aluminum (4 Stage Marine Grade Finish)
Cut-Out Dimensions	See Chart on page 2.
Fixture Dimensions	See Chart on page 2.
Fixture Weight	See Chart on page 2.
LED Source	See Chart on page 2.
Lumen Maintenance	L85, B10>50,000hrs (Ta 25°C)
Color Consistency	3-Step MacAdam
Operating Temp.	-4°F to +113°F
IP Rating	IP65, IP67
Impact Rating	IK08

ORDERING INFORMATION

Example: NV30100V01F0SN. Accessories ordered separately.

					N
Model No.	Control System	Optical Accessory	CCT	Optics	Finish
NV3010 - Neva 3.0 (23W)	000 - ON/OFF	0 - None	F0 - 2700K	S - 11°	N - Black
NV3110 - Neva 3.1 (39W)	0V0 - 0-10V	1 - Honeycomb Louvre	50 - 3000K	M - 30°	Anodized
NV3210 - Neva 3.2 (64W)	0-10V only available on Neva 3.0 and 3.1, not on 3.2		90 - 4000K	L - 45°	
				W - 10°x40°	

Job Name/Date:

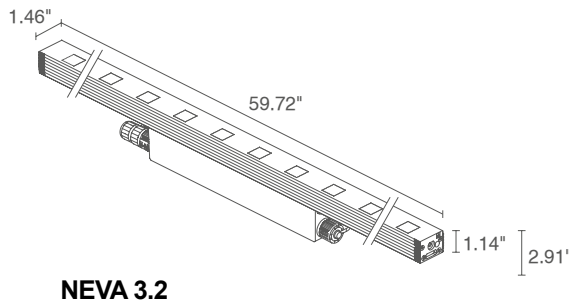
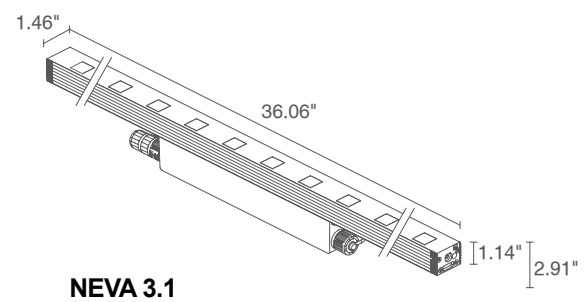
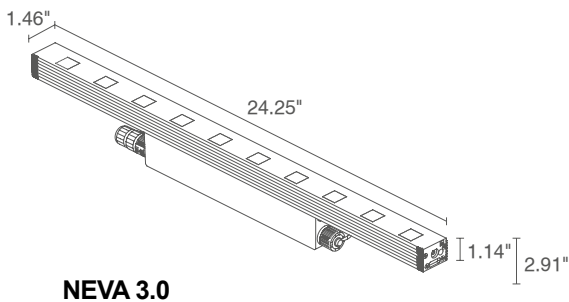
Fixture Type Designation:

NEVA 3 SURFACE

NEVA 3.0, 3.1, 3.2

TECHNICAL DATA

	NEVA 3.0	NEVA 3.1	NEVA 3.2
Wattage	23W	39W	64W
Delivered Lumens (3000K)	1610 lm (3000K, 30°)	2401 lm (3000K, 30°)	4025 lm (3000K, 30°)
Fixture Dim. (l,w,h)	24.25" x 1.46" x 2.91"	36.06" x 1.46" x 2.91"	59.72" x 1.46" x 2.91"
Fixture Weight	3.53 lbs	4.63 lbs	7.05 lbs
LED Source	10 power LEDs, LED spacing 2.36"	15 power LEDs, LED spacing 2.36"	25 power LEDs, LED spacing 2.36"



Job Name/Date:

Fixture Type Designation:

NEVA 3 SURFACE

NEVA 3.0, 3.1, 3.2

ACCESSORIES - Installation



WMA01N

Pair of brackets 2.95" h



WMA02N

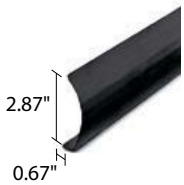
Pair of brackets 5.51" h



WFA01

4-pin male connector
for in/out connection (0/1-10V
version - 3.0 or 3.1) IP68

Anti-Glare



Anti-Glare Shield

Stainless steel painted black

WB6510 - Neva 3.0 (24.09")

WB6511 - Neva 3.1 (35.91")

WB6512 - Neva 3.2 (59.57")

Job Name/Date:

Fixture Type Designation:

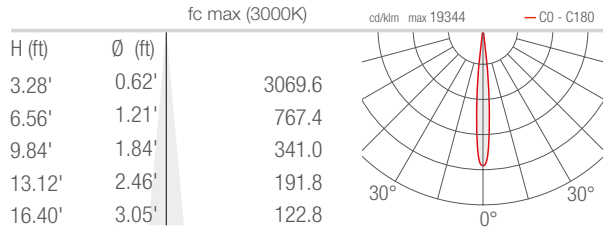
NEVA 3 SURFACE

NEVA 3.0, 3.1, 3.2

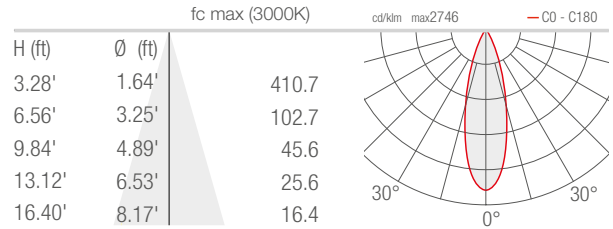
PHOTOMETRIC DATA

Note all Photometry is CRI 80, 3000K

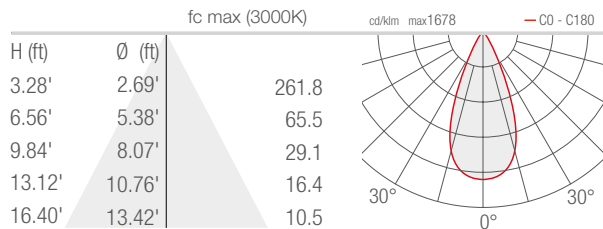
S - 11°



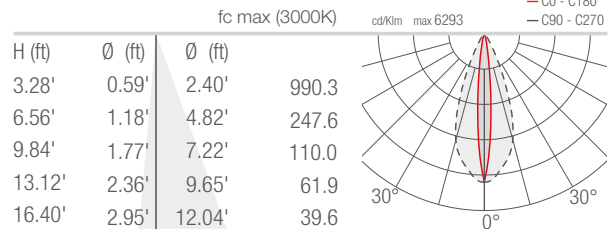
M - 30°



L - 45°



W - 10°x40°



Job Name/Date:

Fixture Type Designation: