

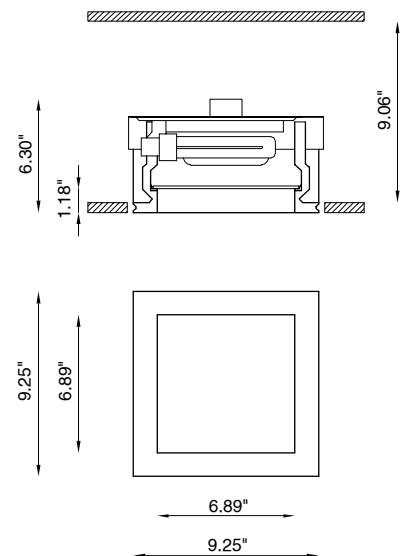
Nimbus is a recessed indoor system made of AirCoral® suitable for installation on plasterboard or brick ceilings. Nimbus completely disappears and becomes an integral part of the ceiling. It is available in 3000K as standard and different 2 wattages with an adjustable (+/- 30°) light beam inclination.



TECHNICAL DATA

Wattage / Input	40W (1050mA) - BU6281 2x6.5W (350mA) - BU6283
Power Supply	Remote, not included. See page 2.
Construction	Body: AirCoral® Lens: Satin Glass Diffuser
CCT	3000K (2700K, 4000K on request)
CRI	>90
Initial Lumens	2589 lm (3000K) - BU6281 1881 lm (3000K) - BU6283
Efficacy	65 lm/W (BU6281) 72 lm/W (BU6283)
Optics	40° (BU6281) 120° (BU6283)
Finishes	AirCoral® Plaster
Fixture Dimensions	9.25" l x 9.25" w x 6.30" h
Cutout Dimensions	9.65" x 9.65"
Aperature	6.89" x 6.89"
Fixture Weight	6.61 lbs
LED Source	LED or SMD
IP Rating	IP40

Fixture Dimensions



The body is made of Aircoral® a unique patented composite material that actually purifies the air. It can be calculated how many cubic feet each fixture will purify. See website for Aircoral® calculator.

Additionally, Aircoral® is:

- Antibacterial.
- Dust-resistant.
- Antifungal.
- Suitable for painting.
- Scratch-resistant.
- LEED recognized material.

ORDERING INFORMATION

Example: BU6281.AC.30.US. Power supplies ordered separately.

	AC		.US
Model No.	Material	CCT	
BU6281 (40W)	AC - AirCoral®	30 - 3000K (standard)	
BU6283 (2x6.5W)		27 - 2700K (on request)	
		40 - 4000K (on request)	

Job Name/Date:

Fixture Type Designation:

SUGGESTED POWER SUPPLIES

1050mA - 40W version (BU6281)

Part Number	Description	Input/Output	Fixtures
PPLT00190	0-10V Dimming to 10%	120-277VAC to 1050mA, 42W, Class 2	1-1
PPLT00309-P	0-10V Dimming to 0.1%	120-277VAC to 1050mA, 50W, Class 2, DAMP	1-1
PPLT00467-P	0-10V Dimming to 1.0%	120-277VAC to 1050mA, 50W, Class 2, DAMP	1-1

SUGGESTED POWER SUPPLIES

350mA - 13W version (BU6283)

Part Number	Description	Input/Output	Fixtures
PPLT00468	Phase Dim (120V only)	120VAC to 350mA, 14W, Class 2	1-1
PPLT00465-P	0-10V Dimming to 1.0%	120-277VAC to 350mA, 20W, Class 2, DAMP	1-1
PPLT00263	Leading / Trailing Edge Dimming to 10% (120V only)	120-277VAC to 350mA, 32W, Class 2, DAMP	1-1
PPLT00467-P	0-10V Dimming to 1.0%	120-277VAC to 350mA, 50W, Class 2, DAMP	1-2
PPLT00538-P	0-10V Dimming to 0.1%	120-277VAC to 350mA, 100W, Class 2, DAMP	1-4

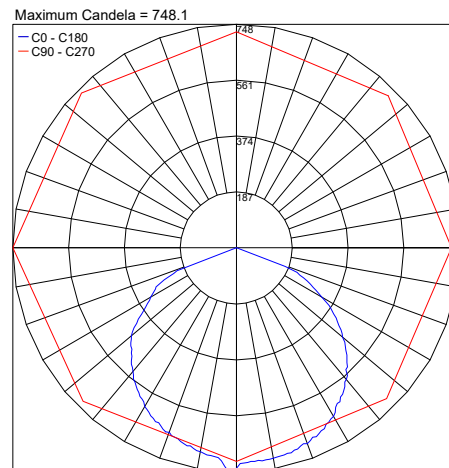
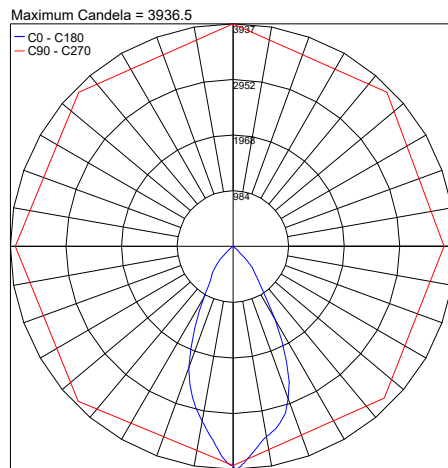
Suggested Lutron Compatible - 13W version

Part Number	Option	Lutron SKU	Dim Range	Description	Input/Output	# of Fixtures
PPLT00516	L3DAE / L3DA3W	L3DA	100%-1%	Hi-Lume™ 1% EcoSystem™ or 1% 3-Wire LED Driver	120-277VAC to 500mA, 13W, Class 2	1-1

For other power supply options consult factory.

PHOTOMETRIC DATA

Note: All photometry is 3000K.



ACCESSORIES

Installation - Consult Factory for Back Box

Job Name/Date:

Fixture Type Designation: