

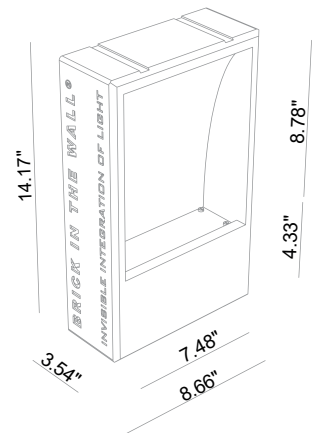
Normall is a series of indirect recessed wall luminaires made of Calcyt® plaster that can be seamlessly installed in walls with a lamp at the top and at the bottom. They are available in an indoor and an outdoor / bathroom version with fixed optics and a variety of color temperatures.



Ceiling Cut-Out: 8.86" l x 14.37" h
Fixture Dimensions

TECHNICAL DATA

Wattage / Input	9.3W, 11W, 14.1W (120VAC or 350mA) 12.8W (WarmDim)
Power Supply	Integral or Remote (not included). See page 2.
Construction	Body: CALCYT® Plaster Lens: Tempered Glass
CCT	2200K, 2700K, 3000K, 4000K, WarmDim
CRI	>90, >80
Delivered Lumens	424 lm (9.3W), 710 lm (11W), 1219 lm (14.1W) 355 lm (12.8W, WarmDim) (All 3000K)
Efficacy	46 lm/W (9.3W), 65 lm/W (11W), 86 lm/W (14.1W) 28 lm/W (12.8W, WarmDim) (All 3000K)
Optics	Fixed
Finishes	CALCYT® Plaster - fully paintable
Fixture Dimensions	8.66" l x 3.54" w x 14.17" h
Cut-out Dimension	8.86" l x 14.37" h
Aperature	8.78" x 7.48"
Color Consistency	2-Step MacAdam, 4-Step MacAdam (WarmDim)
IP Rating	IP20



ORDERING INFORMATION

Example: 105 71 500. Accessories / Power Supplies ordered separately.

Model No.	Driver	CCT / Wattage
105	71 - Phase Dim Integral 120VAC	500 - 2200K (9.3W, 800 lm)
	61 - Dim 0-10V Integral 120VAC	000 - 2700K (9.3W, 800 lm)
	29 - Remote Driver (see page 2)	100 - 3000K (9.3W, 800 lm)
105	72 - Phase Dim Integral 120VAC	000 - 2700K (11W, 1000 lm)
	62 - Dim 0-10V Integral Driver	100 - 3000K (11W, 1000 lm)
105	74 - Phase Dim Integral Driver	000 - 2700K (14.1W, 2000 lm)
	64 - Dim 0-10V Integral Driver	100 - 3000K (14.1W, 2000 lm)
105	73 - Phase Dim Integral Driver	600 - WarmDim (12.8W, 900 lm)
	63 - Dim 0-10V Integral Driver	

Job Name/Date:

Fixture Type Designation:

SUGGESTED POWER SUPPLIES

350mA - For 9.3W version

Part Number	Description	Input/Output	# of Fixtures
PPLT00139	0-10V Dimming to 10%	120-277VAC to 350mA, 12W, Class 2	1-1
PPLT00468	Phase Dim (120V only)	120VAC to 350mA, 14W, Class 2	1-1
PPLT00480-P	0-10V Dimming to 1%	120-277VAC to 350mA, 30W, Class 2	1-1
PPLT00309-P	0-10V Dimming to 0.1%	120-277VAC to 350mA, 50W, Class 2	1-1
PPLT00538-P	0-10V Dimming to 0.1%	120-277VAC to 350mA, 100W, Class 2	1-4

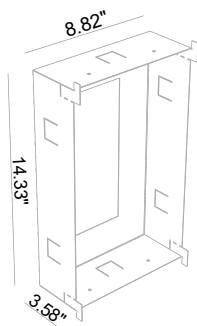
Suggested Lutron Compatible 350mA - For 9.3W version

Part Number	Option	Lutron SKU	Dim Range	Description	Input/Output	# of Fixtures
PPLT00516	L3DAE / L3DA3W	L3DA	100%-1%	Hi-Lume™ 1% EcoSystem™ or 1% 3-Wire LED Driver	120-277VAC to 350mA, 13W, Class 2	1-1

For other power supply options consult factory.

REQUIRED ACCESSORIES

Installation



705 01 000
Outer Casing

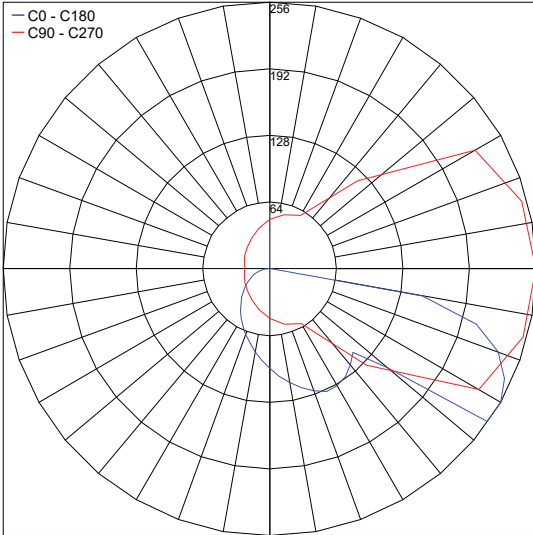
Job Name/Date:

Fixture Type Designation:

PHOTOMETRIC DATA

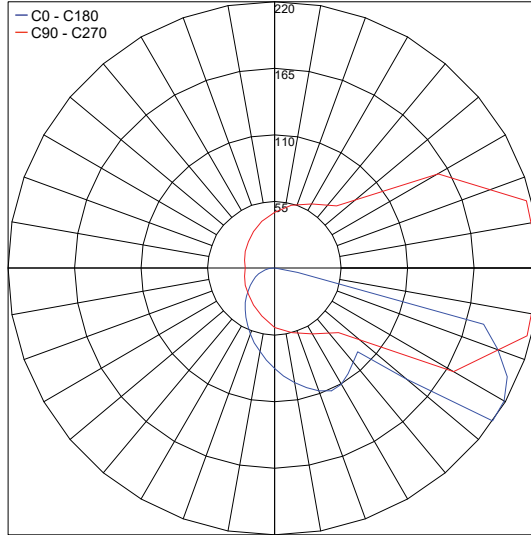
Note: all Photometry is 3000K

Maximum Candela = 255.8



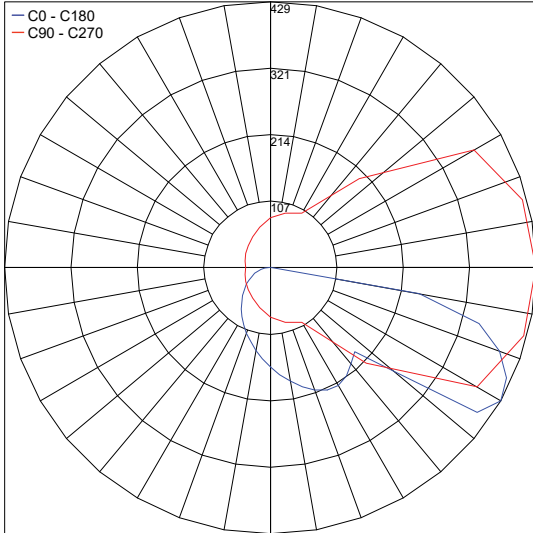
PHOTOMETRIC FILENAME : NORMALL LED (800LM,CRI90).IES

Maximum Candela = 219.7



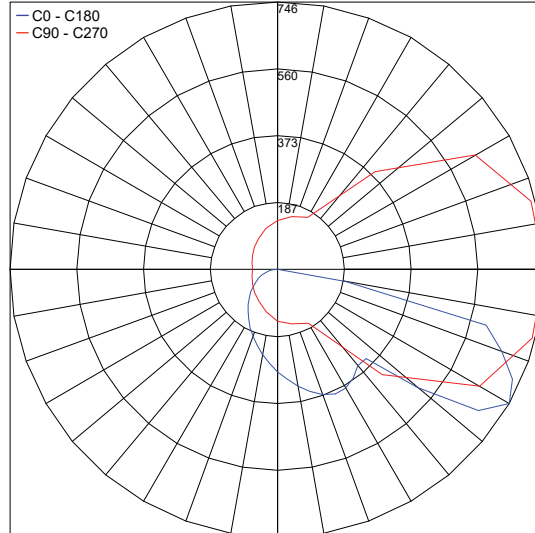
PHOTOMETRIC FILENAME : NORMALL WARM DIM (900LM,CRI90).IES

Maximum Candela = 428.6



PHOTOMETRIC FILENAME : NORMALL LED (1000LM,CRI90).IES

Maximum Candela = 746.4



PHOTOMETRIC FILENAME : NORMALL LED (2000LM,CRI80).IES

Job Name/Date:

Fixture Type Designation: