

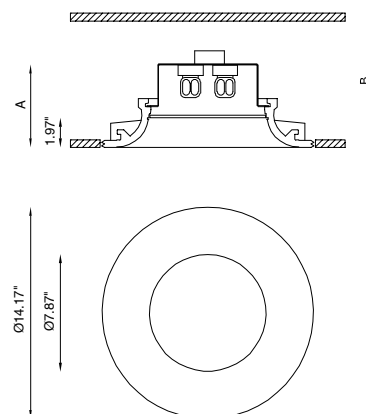
Nova is a totally disappearing, recessed downlight made of AirCoral® with a rounded light hole. It is available in 2 versions - one with 13W and one with 40W - both adjustable +/- 30° and available in 3000K as standard.



## TECHNICAL DATA

<b>Wattage / Input</b>	2 x 6.5W (BU5293.AC - 350mA) 40W (BU5291.AC - 1050mA)
<b>Power Supply</b>	Remote, not included. See page 2.
<b>Construction</b>	Body: AirCoral® Lens: 1.97" Rearward Frosted Glass
<b>CCT</b>	3000K (2700K, 4000K on request)
<b>CRI</b>	>90
<b>Delivered Lumens</b>	1881 lm (BU5293.AC - 3000K) 2589 lm (BU5291.AC - 3000K)
<b>Efficacy</b>	144.7 lm/W (BU5293.AC - 3000K) 64.7 lm/W (BU5291.AC - 3000K)
<b>Optics</b>	120° (BU5293.AC) 40° (BU5291.AC)
<b>Finishes</b>	AirCoral® Unfinished Plaster
<b>Fixture Dimensions</b>	Ø14.17" x 7.87"
<b>Cut-out Dimension</b>	Ø14.57"
<b>Aperature</b>	Ø7.87"
<b>Fixture Weight</b>	14.99 lbs
<b>IP Rating</b>	IP40

Fixture Dimensions



The body is made of AirCoral® a unique patented composite material that actually purifies the air. It can be calculated how many cubic feet each fixture will purify. See website for AirCoral® calculator.

Additionally, AirCoral® is:

- Antibacterial.
- Antifungal.
- Scratch-resistant.
- Dust-resistant.
- Suitable for painting.
- LEED recognized material.

## ORDERING INFORMATION

Example: BU5291.AC.30.US. Accessories / Power Supplies ordered separately.

	AC		US
<b>Model No.</b>	<b>Finish</b>	<b>CCT</b>	
BU5291	AC - AirCoral®	30 - 3000K (standard)	US
BU5293		27 - 2700K (on request)	
		40 - 4000K (on request)	

Job Name/Date:

Fixture Type Designation:

## SUGGESTED POWER SUPPLIES

1050mA - 40W version (BU5291)

Part Number	Description	Input/Output	Fixtures
<a href="#">PPLT00190</a>	0-10V Dimming to 10%	120-277VAC to 1050mA, 42W, Class 2	1-1
<a href="#">PPLT00309-P</a>	0-10V Dimming to 0.1%	120-277VAC to 1050mA, 50W, Class 2, DAMP	1-1
<a href="#">PPLT00467-P</a>	0-10V Dimming to 1.0%	120-277VAC to 1050mA, 50W, Class 2, DAMP	1-1

## SUGGESTED POWER SUPPLIES

350mA - 13W version (BU5293)

Part Number	Description	Input/Output	Fixtures
<a href="#">PPLT00468</a>	Phase Dim (120V only)	120VAC to 350mA, 14W, Class 2	1-1
<a href="#">PPLT00465-P</a>	0-10V Dimming to 1.0%	120-277VAC to 350mA, 20W, Class 2, DAMP	1-1
<a href="#">PPLT00263</a>	Leading / Trailing Edge Dimming to 10% (120V only)	120-277VAC to 350mA, 32W, Class 2, DAMP	1-1
<a href="#">PPLT00467-P</a>	0-10V Dimming to 1.0%	120-277VAC to 350mA, 50W, Class 2, DAMP	1-2
<a href="#">PPLT00538-P</a>	0-10V Dimming to 0.1%	120-277VAC to 350mA, 100W, Class 2	1-4

Suggested Lutron Compatible - 13W version (BU5293)

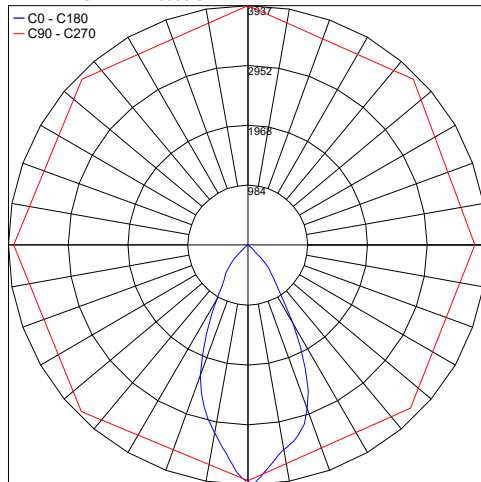
Part Number	Option	Lutron SKU	Dim Range	Description	Input/Output	# of Fixtures
<a href="#">PPLT00516</a>	L3DAE / L3DA3W	L3DA	100%-1%	Hi-Lume™ 1% EcoSystem™ or 1% 3-Wire LED Driver	120-277VAC to 500mA, 13W, Class 2	1-1

For other power supply options consult factory.

## PHOTOMETRIC DATA

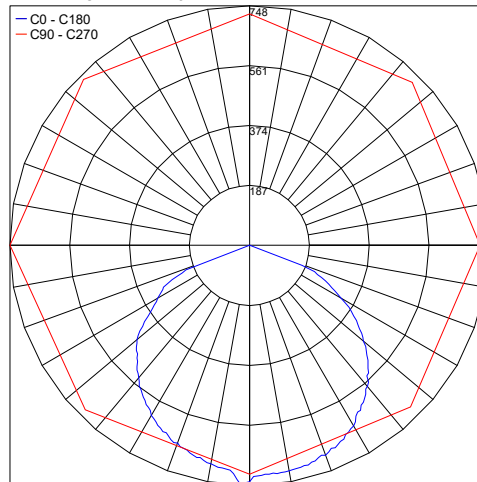
Note: All Photometry is 3000K

Maximum Candela = 3936.5



PHOTOMETRIC FILENAME : BU5291.AC.IES

Maximum Candela = 748.1



PHOTOMETRIC FILENAME : NOVA BU5293.AC 13W LED 30K 120°.IES

Job Name/Date:

Fixture Type Designation: