

# ON THE ROCKS

With a body that is 0.625" thick, On The Rocks is an indirect / direct LED pendant which features no power cord, integral 0-10V dimming drivers, multiple color temperatures and 4 finish options. A 2.0" glass lens attached to the bottom illuminates at the lightly frosted edges while staying clear from the side.



**MADE IN THE U.S.A.**

Fixture Dimensions  
See Chart and Drawing on page 2.

**Up and Down dim together**  
(Separate Dimming on request)

## TECHNICAL DATA

<b>Wattage / Input</b>	72W - 4 ft. (120-277VAC - 347VAC available) 96W - 6 ft., 144W - 8 ft.
<b>Power Supply</b>	Integral (0-10V Dimming)
<b>Construction</b>	Body: Extruded Aluminum Mounting: Aircraft Cable
<b>CCT</b>	2700K, 3000K, 3500K, 4000K
<b>CRI</b>	>90
<b>Delivered Lumens</b>	Up - 1848 lm, Down - 1220 lm (4 ft, 3000K) Total: 3068 lm
<b>Efficacy</b>	Up: 25.6 lm/W, Down: 25.9 lm/W
<b>Optics</b>	Up: Linear Spread, Down: Diffuse
<b>Finishes</b>	4 Standard, See Below.
<b>Fixture Dimensions</b>	See page 2.
<b>LED Source</b>	Mid-Power LEDs
<b>IP Rating</b>	IP20

## ORDERING INFORMATION

Example: **OTR-L-4-30-P-10-C-SW**.

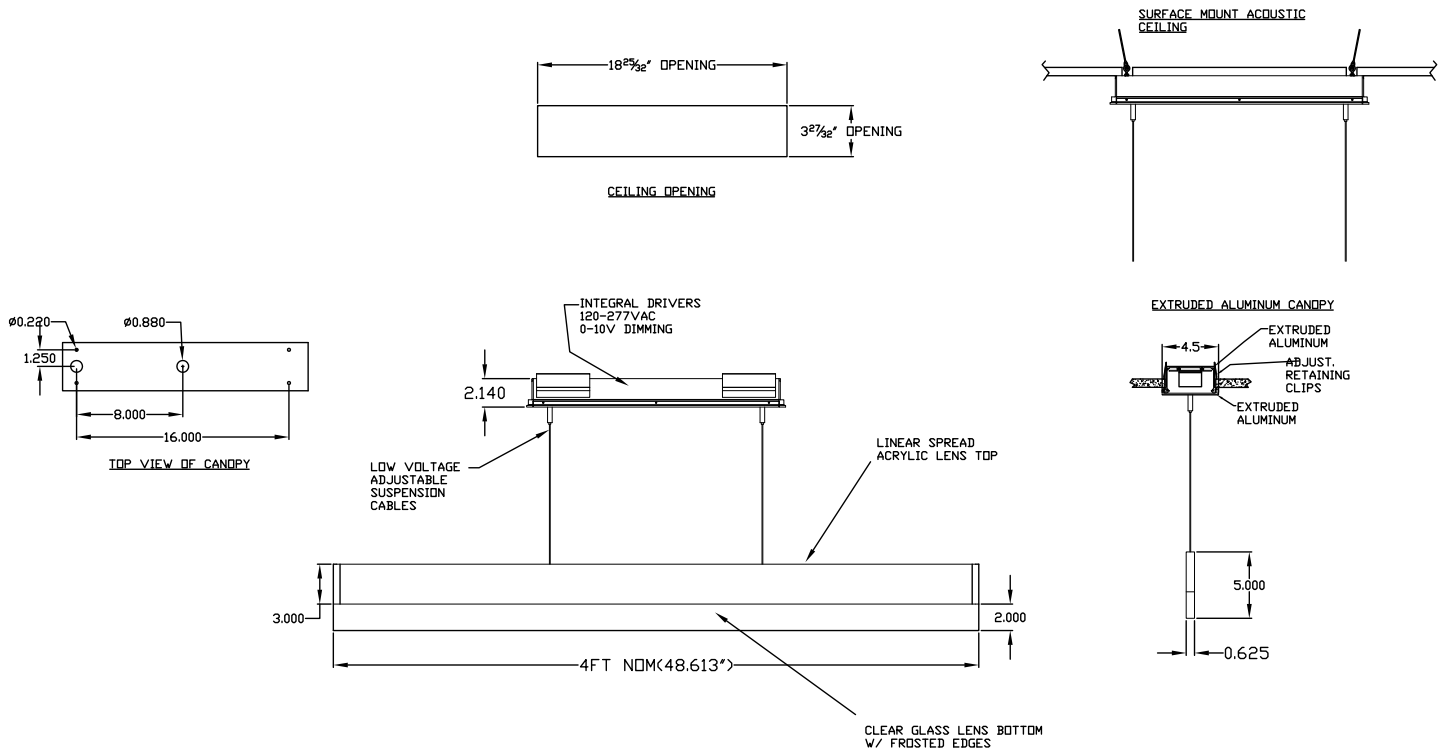
OTR-L			P			
Model No.	Length	CCT	Body	Finish	Driver	Canopy
OTR-L	4 - 4 foot 6 - 6 foot 8 - 8 foot <i>Addition for 6- or 8-foot version must be added.</i>	27 - 2700K 30 - 3000K 35 - 3500K 40 - 4000K	P - Pendant	02 - Black Suede 18 - Textured Bronze TS - Silver 11 - White Suede 99 - Custom	C - 120-277VAC, 0-10V Dimming  2 - 347V, 0-10V Dimming	RC - Recessed* SC - Surface*  RW - Recessed, White SW - Surface, White  <i>* Same finish as fixture - Other color on request -</i>

Job Name/Date:

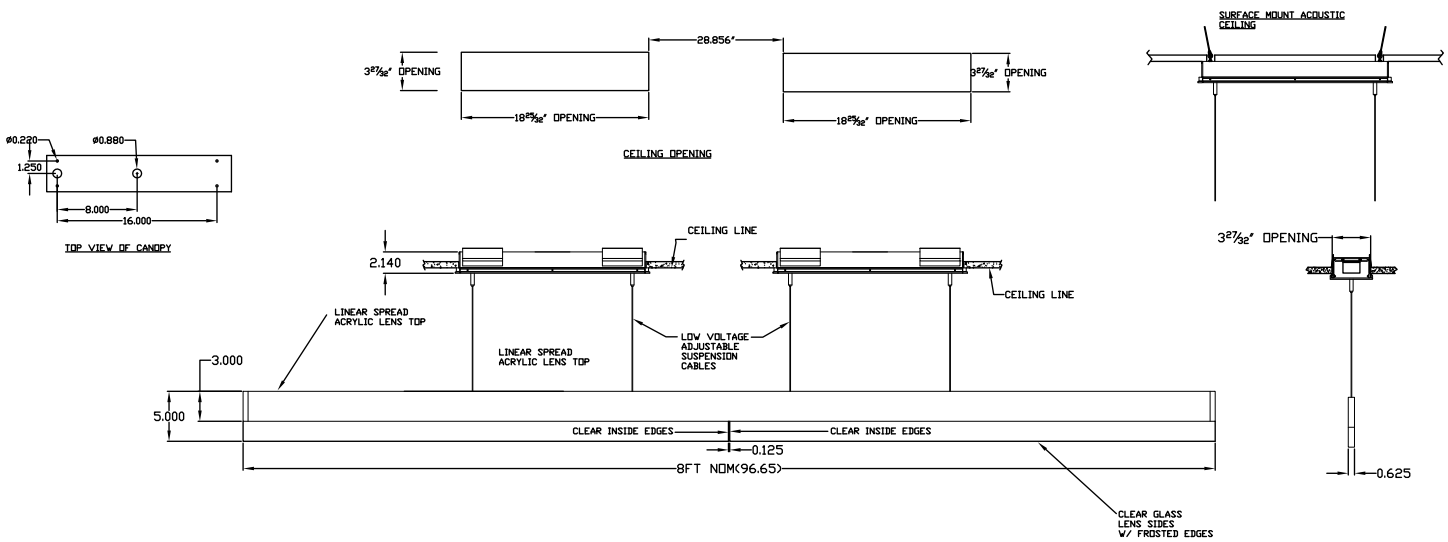
Fixture Type Designation:

## FIXTURE DIMENSIONS

### 4 foot version



### 8 foot version



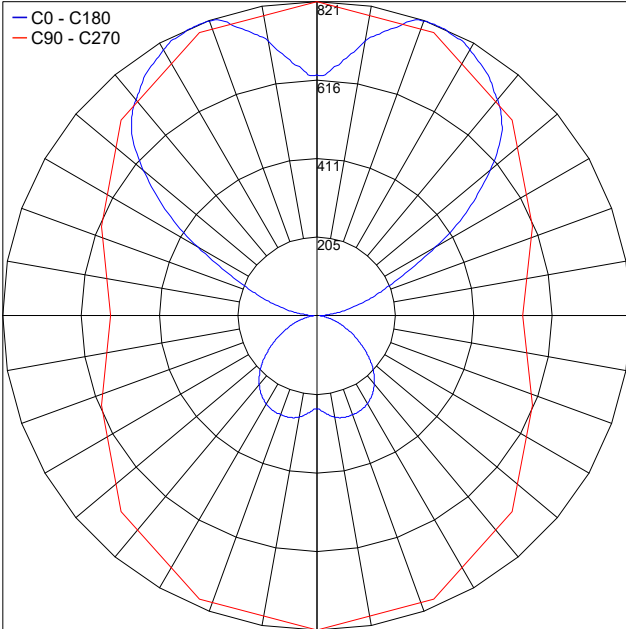
Job Name/Date:

Fixture Type Designation:

## PHOTOMETRIC DATA

Note all Photometry is 3000K

Maximum Candela = 821.4



PHOTOMETRIC FILENAME : ON THE ROCKS 3000K.IES

Job Name/Date:

Fixture Type Designation: