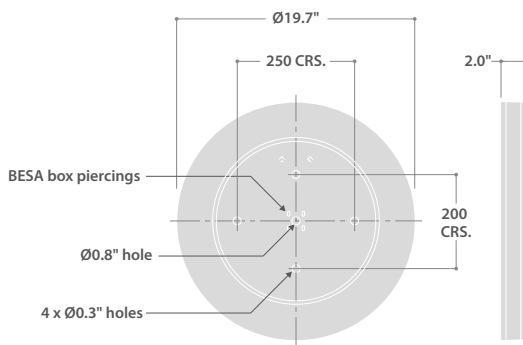




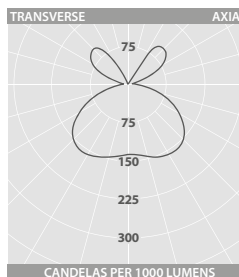
Illuminated Halo Effect

Light is directed back onto the wall for an enhanced visual appearance.

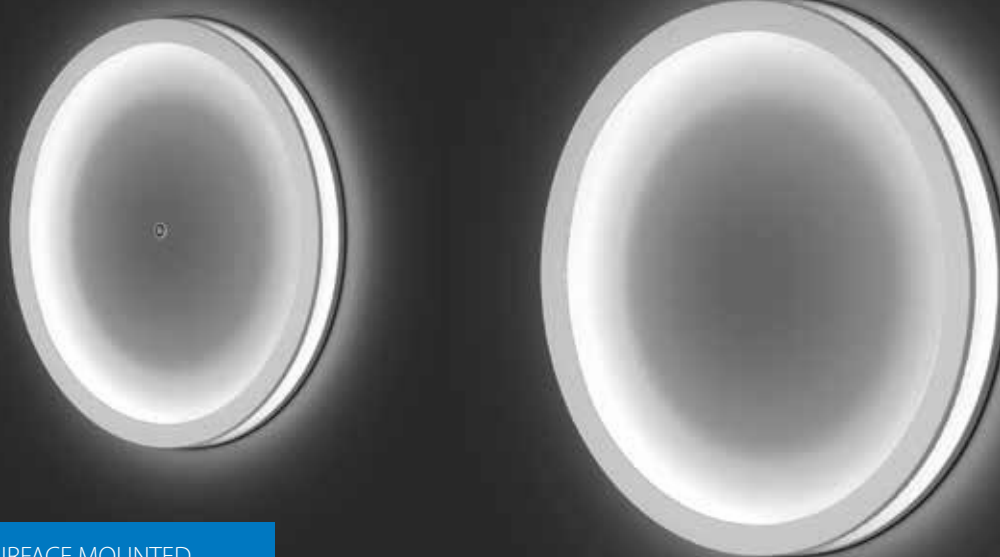
DIMENSIONS



PHOTOMETRIC GUIDE



Luminaire Lumen Output:
 10W = 1665lm
 17W = 2705lm
 24W = 3685lm



CIRCULAR SURFACE MOUNTED LUMINAIRES WITH EXCELLENT LATERAL DISTRIBUTION



SPECIFICATION

- Spun steel gear tray finished full polyester, non-yellowing white
- Sealed light engine assembly comprising of clear fire-retardant polycarbonate cover, molded reflector and white trim
- Low profile unobtrusive design
- Wipe clean surface, no dust traps
- Excellent lateral light distribution - suitable for stairwells
- Tool free access (option to lock cover using locking screw supplied)
- Indirect light source, extremely low glare and high visual comfort
- Fitted with 4000K LEDs

RANGE

	LED	CAT. No.	APPROX. lbs	CIRCUIT
STANDARD	10W	OV 19283	8.4	L/A
	17W	OV 19284	8.4	L/A
	24W	OV 19285	8.4	L/A

CIRCUITTYPE - suffix catalogue number with:

STANDARD L - non-dimming / A - dimming (0-10V) ex: **OV 19280SS**

etc
EMERGENCY VERSION - prefix catalogue number with:

EOV - Emergency

TOV - AutoTest

LED CHARACTERISTICS

CRI	80+
COLOR TEMPERATURE	4000K
RATED LIFE (HOURS)	90K - L80/B10
PROTECTION	LUX GUARD
DRIVER EFFICIENCY	>80%
REPLACEABLE	YES
POWER FACTOR	>0.9
LL/CW	142.4

For LED characteristics explanation see www.thorlux.com/led-guide