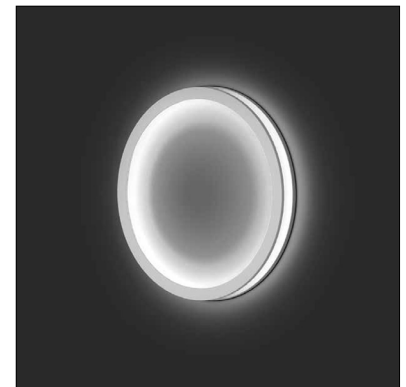


Ovix is a circular surface mounted luminaire with an indirect light source and illuminated halo effect. It has excellent lateral light distribution and a clear, fire-retardant polycarbonate cover making it a highly efficient ultra low-glare luminaire. It is available in 3 wattages and 4000K as standard. ADA Compliant.

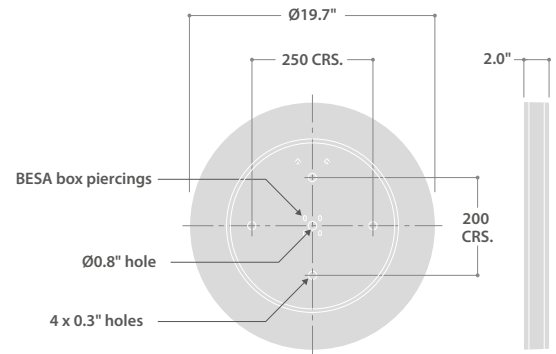


ADA Compliant

TECHNICAL DATA

Wattage	10W (250mA), 17W (400mA), 24W (500mA)
Power Supply	Remote, not included. See page 2.
Construction	Body: Spun Steel Cover: Clear Fire-retardant Polycarbonate
CCT	4000K
CRI	>80
Delivered Lumens	1665 lm (10W) 2705 lm (17W) 3685 lm (24W)
Efficacy	166.5 lm/W (10W) 159.1 lm/W (17W) 153.5 lm/W (24W)
Optics	—
Finishes	White
LED Source	LUX GUARD LED
Lumen Maintenance	90,000 hrs L80, B10
Fixture Dimensions	Ø19.7" x 2.0"
Fixture Weight	8.4 lbs
IP Rating	IP40
Impact Resistance	IK09

Fixture Dimensions



ORDERING INFORMATION

Example: OV19285.L.US.

	L	US
Model No.	Circuit	
OV19283 (10W)	L	US
OV19284 (17W)		
OV19285 (24W)		

Job Name/Date:

Fixture Type Designation:

SUGGESTED POWER SUPPLIES - 250mA

Part Number	Description	Input/Output	# of Fixtures
PPLT00290	Leading / Trailing Edge Dimming to 10% (120V only)	120-277VAC to 250mA, 16W, Class 2	1-1
PPLT00465-P	0-10V Dimming to 1.0%	120-277VAC to 250mA, 20W, Class 2, DAMP	1-1
PPLT00467-P	0-10V Dimming to 1.0%	120-277VAC to 250mA, 50W, Class 2, DAMP	1-1
PPLT00538-P	0-10V Dimming to 0.1%	120-277VAC to 250mA, 100W, Class 2	1-4

SUGGESTED POWER SUPPLIES - 400mA

Part Number	Description	Input/Output	# of Fixtures
PPLT00465-P	0-10V Dimming to 1.0%	120-277VAC to 400mA, 20W, Class 2, DAMP	1-1
PPLT00467-P	0-10V Dimming to 1.0%	120-277VAC to 400mA, 50W, Class 2, DAMP	1-1
PPLT00538-P	0-10V Dimming to 0.1%	120-277VAC to 400mA, 100W, Class 2	1-4

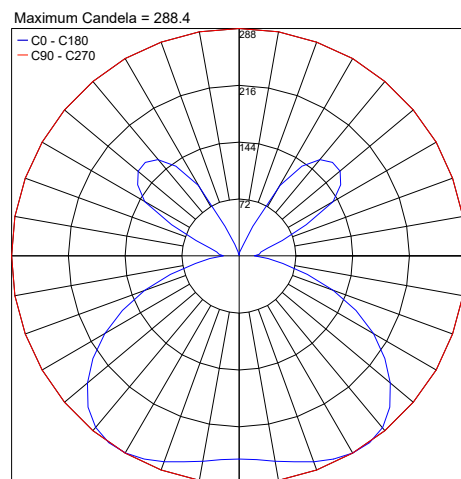
SUGGESTED POWER SUPPLIES - 500mA

Part Number	Description	Input/Output	# of Fixtures
PPLT00527	Phase Dim (120V only)	120VAC to 500mA, 25W, Class 2, IP66	1-1
PPLT00262	Leading / Trailing Edge Dimming to 10% (120V only)	120-277VAC to 500mA, 32W, Class 2	1-1
PPLT00467-P	0-10V Dimming to 1.0%	120-277VAC to 500mA, 50W, Class 2, DAMP	1-1
PPLT00538-P	0-10V Dimming to 0.1%	120-277VAC to 500mA, 100W, Class 2	1-4

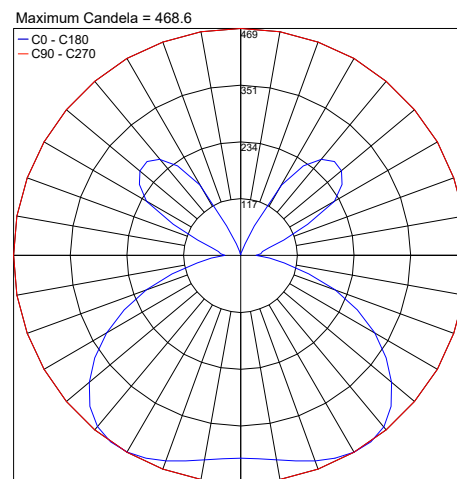
For other power supply options consult factory.

PHOTOMETRIC DATA

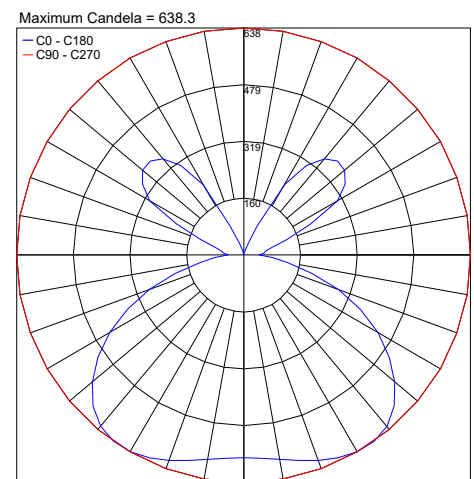
Note all Photometry is 4000K



PHOTOMETRIC FILENAME : OV19283 10W 40K STANDARD.IES



PHOTOMETRIC FILENAME : OV19284 17W 40K STANDARD.IES



PHOTOMETRIC FILENAME : OV19285 24W 40K STANDARD.IES

Job Name/Date:

Fixture Type Designation: