

P1-E is a structural system for recessed flush installation on plasterboard ceilings and walls that creates indirect lines of light through the use of linear and 90° joint accessories. It is available in static white, dim to warm or RGBW and is custom cuttable.



Fixture Dimensions - See page 2



## TECHNICAL DATA

<b>Wattage</b>	19.2W per 3.28 ft (1 m)
<b>Power Supply</b>	Remote 24VDC, not included. See page 3.
<b>Construction</b>	Body: Extruded Aluminum Cable Length: 1.64' (connected at rear)
<b>CCT</b>	2200K, 2700K, 3000K, 4000K, DimWarm, RGB+W (3000K)
<b>Delivered Lumens</b>	1536 lm per beam per 3.28' (3000K) 1593 lm per 3.28' (DimWarm) 864 lm per 3.28' (RGBW)
<b>Efficacy</b>	80 lm/W per beam per 3.28" (3000K) 83 lm/W per 3.28" (DimWarm) 45 lm/W per 3.28" (RGBW)
<b>Optics</b>	Perpendicular Diffuse
<b>Finishes</b>	Natural Aluminum (extruded)
<b>Fixture Dimensions</b>	118.1" x 4.8" w x 1.5" h (P1-E) 196.9" x 0.4" (LED Circuit Reel)
<b>Color Consistency</b>	<3-Step MacAdam
<b>IP Rating</b>	IP40

## ORDERING INFORMATION

*Example: LM30.103514.US.00.DPBP.20. Accessories / Power Supplies ordered separately.*

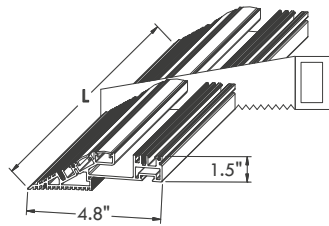
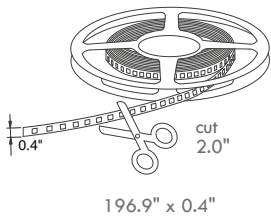
<b>LM30.103514.US</b>	<b>AS</b>	<b>DP</b>		<b>20</b>
<b>Model No.</b> LM30.103514.US (Circuit Reel) <i>Profile housing sold separately and can be found under installation accessories on page 2</i>	<b>Finish</b> AS - Asymmetric	<b>Optic</b> DP - Perpendicular Diffuse	<b>CCT</b> XC - 2200K BC - 2700K BP - 3000K BF - 4000K DW - 2800K-6000K RGBW - RGB+W (3000K)	<b>Circuit Power</b> 20 - 19.2W/3.28 ft

Job Name/Date:

Fixture Type Designation:

**FIXTURE DIMENSIONS - P1-E**

*Custom Cuttable*



118.1" x 4.8" x H1.5"

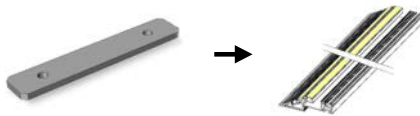
**ACCESSORIES - Installation**



**LM30.104659.00.US**

Housing for Custom Cuttable

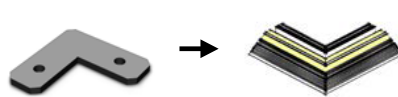
**ACCESSORIES - Installation**



**LM30.104662**

Linear Joint

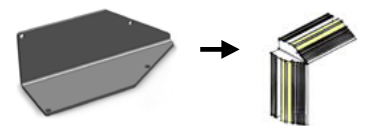
2.36" x 0.43"



**LM30.104663**

90° Joint

1.18" x 1.18" x 0.43"



**LM30.104664**

90° Vertical / Horizontal Joint

4.53" x 1.50" x 1.50"

**Installation**



Job Name/Date:

Fixture Type Designation:

**SUGGESTED POWER SUPPLIES**

24VDC

Part Number	Description	Input/Output	# of Fixtures - 19W per 3.28'			
			19.7"	39.4"	59.1"	78.7"
<a href="#">PPLT00599</a>	ELV/TRIAC & 0-10V Dimming (100-0%)	120-277VAC to 24VDC, 96W, Class 2	1-8	1-4	1-2	1-1
<a href="#">PPLT00158</a>	Non-Dim	120VAC to 24VDC, 100W, Class 2	1-8	1-4	1-2	1-1
<a href="#">PPLT00543</a>	0-10V Dimming to 15% (-40°C / -40°F cold weather start)	120-277VAC to 24VDC, 100W, Class 2	1-8	1-4	1-2	1-1

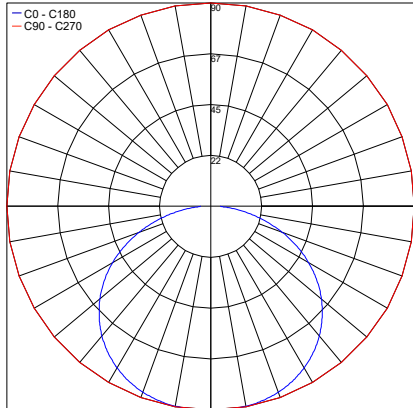
For cut lengths and other power supply options, consult factory.

For DIM WARM or RGBW power supplies, contact factory.

**PHOTOMETRIC DATA**

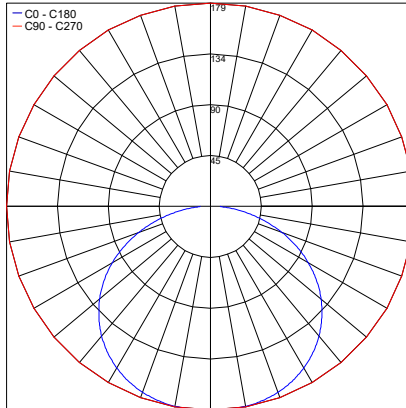
Note: All photometric data is 3000K

Maximum Candela = 89.5



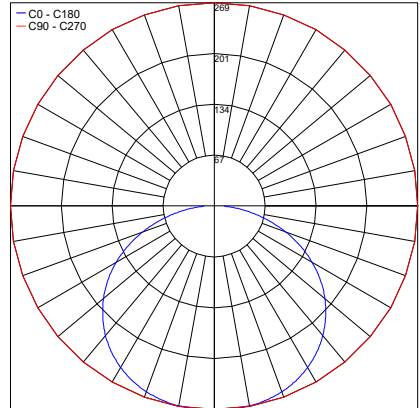
PHOTOMETRIC FILENAME : P1-E LM30.104659.00.DP.BP.20 L19.7IN.IES

Maximum Candela = 179.1



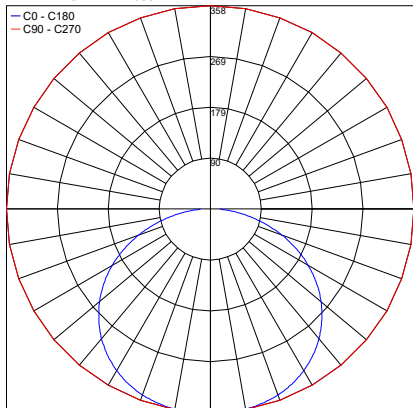
PHOTOMETRIC FILENAME : P1-E LM30.104659.00.DP.BP.20 L39.4IN.IES

Maximum Candela = 268.6



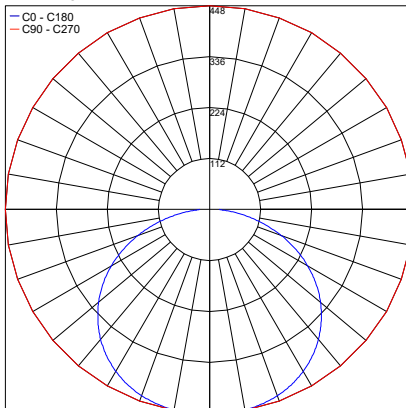
PHOTOMETRIC FILENAME : P1-E LM30.104659.00.DP.BP.20 L59.1IN.IES

Maximum Candela = 358.2



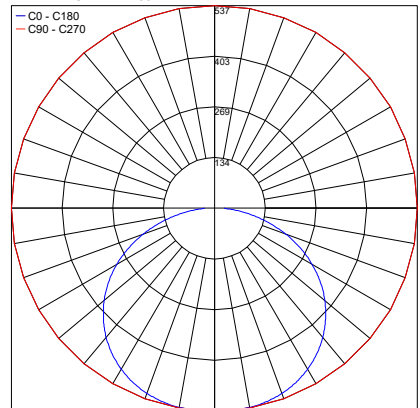
PHOTOMETRIC FILENAME : P1-E LM30.104659.00.DP.BP.20 L78.7IN.IES

Maximum Candela = 447.7



PHOTOMETRIC FILENAME : P1-E LM30.104659.00.DP.BP.20 L98.4IN.IES

Maximum Candela = 537.2



PHOTOMETRIC FILENAME : P1-E LM30.104659.00.DP.BP.20 L118.1IN.IES

Job Name/Date:

Fixture Type Designation: